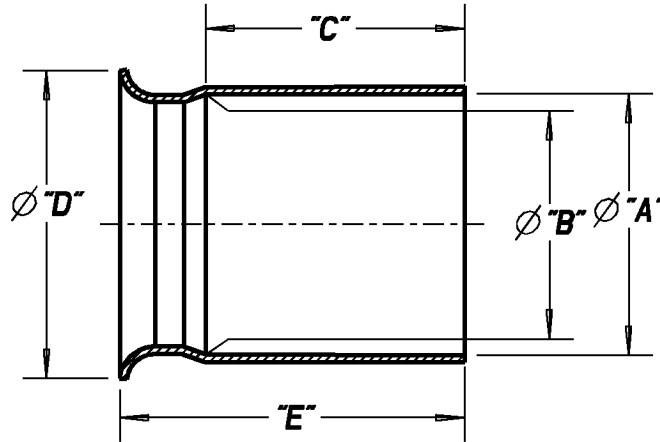


# Carlton®



PART NO.	NOMINAL SIZE	A	B	C		D	E
				MIN.	MAX.		
E297JN	2"	2.40 (60.9)	2.38 (60.5)	2.38 (60.3)	2.38 (60.5)	4.28 (108.7)	4.00 (101.6)
E297LR	3"	3.54 (89.9)	3.51 (89.2)	3.50 (88.9)	3.52 (89.3)	5.28 (134.1)	6.00 (152.4)
E297NT	4"	4.54 (115.3)	4.51 (114.6)	4.50 (114.3)	4.52 (114.8)	5.50 (139.7)	10.00 (254)
E297PS	5"	5.61 (142.5)	5.57 (141.5)	5.56 (141.3)	5.58 (141.7)	6.50 (165.1)	8.00 (203.2)
E297PT	5"	5.61 (142.5)	5.57 (141.5)	4.00 (101.6)	4.50 (114.3)	6.50 (165.1)	10.00 (254)
E297RF	6"	6.17 (156.7)	6.63 (168.4)	2.50 (63.5)	2.75 (69.8)	7.50 (190.5)	8.25 (209.6)
E297RT	6"	6.66 (169.2)	6.64 (168.7)	5.00 (127)	5.75 (146)	7.50 (190.5)	10.00 (254)
E297RR	6"	6.66 (169.2)	6.61 (167.9)	5.00 (127)	5.25 (133.4)	7.50 (190.5)	6.00 (152.4)
E949J5	2"	2.39 (60.7)	2.37 (60.2)	1.25 (31.8)	1.87 (47.5)	3.28 (83.3)	5.00 (127)
E949J6	2"	2.39 (60.7)	2.37 (60.2)	1.25 (31.8)	1.87 (47.5)	3.28 (83.3)	6.00 (152.4)
E949JN	2"	2.39 (60.7)	2.37 (60.2)	1.25 (31.8)	1.87 (47.5)	3.28 (83.3)	4.00 (101.6)
E949JX	2"	2.39 (60.7)	2.37 (60.2)	1.25 (31.8)	1.87 (47.5)	3.28 (83.3)	8.00 (203.2)
E949LR	3"	3.52 (89.4)	3.49 (88.6)	1.72 (43.7)	3.00 (76.2)	4.28 (108.7)	6.00 (152.4)
E949N5	4"	4.52 (114.8)	4.49 (114)	1.88 (47.6)	3.25 (82.6)	5.50 (139.7)	5.00 (127)
E949NR	4"	4.52 (114.8)	4.49 (114)	1.88 (47.6)	3.25 (82.6)	5.50 (139.7)	6.00 (152.4)
E949R5	6"	6.66 (169.1)	6.61 (167.9)	3.00 (76.2)	3.63 (92.1)	7.50 (190.5)	5.00 (127)
E949RX	6"	6.66 (169.1)	6.61 (167.9)	3.00 (76.2)	3.63 (92.1)	7.50 (190.5)	8.00 (203.2)
E997T	8"	8.69 (220.7)	8.64 (219.5)	5.00 (127)	6.25 (158.8)	9.50 (241.3)	9.00 (228.6)
E9097NR	4"	4.38 (111.3)	4.35 (110.5)	3.00 (76.2)	3.25 (82.6)	5.75 (146)	8.00 (203.2)
E9097NS	4"	4.38 (111.3)	4.35 (110.5)	3.00 (76.2)	3.25 (82.6)	5.75 (146)	8.00 (203.2)
E9097NU	4"	4.38 (111.3)	4.35 (110.5)	3.00 (76.2)	3.25 (82.6)	5.75 (146)	12.00 (304.8)

### GENERAL NOTES

- ALL DIMENSIONS ARE FOR REFERENCE ONLY.
- DIMENSIONS IN BRACKETS [ ] ARE IN METRIC UNITS.

### REVISIONS

\*\*\* SEE ERN (\*\*\*\*) FOR APPROVAL SIGNATURES & RELEASE DATE.  
PROJECT NO: \*\*\*\*

**Thomas & Betts**  
www.tnb.com

DESCRIPTION:

**SPECIAL BELL END**

ORIGINAL PROJECT NO / ( ERN NO )

/ ( )

SHEET NO:

1 OF 1

REV. NO:

D

DRAWING NO:

**WSD-AC04102**

THIS DRAWING IS INTENDED FOR DESCRIPTIVE PURPOSES ONLY. AND THE RIGHT IS RESERVED TO DEVIATE FROM ANY OF THE DETAILS SHOWN HEREON.

©2008 Thomas & Betts - Proprietary. All Rights Reserved