

# Switched Disconnects and Enclosures

## Circuit-Lock® NEMA 3 and 3R Enclosures with Switch

Ideal for use on outdoor equipment.

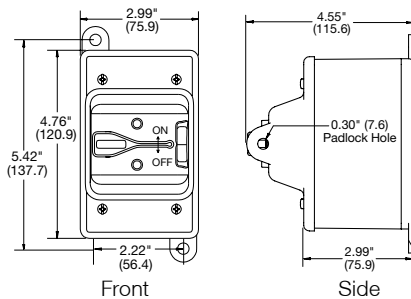
Amp	Poles	Enclosure Material	Water Ingress	HP Rating				Catalog Number
				120V AC 1Ø	240V AC 3Ø	480V AC 3Ø	600V AC 3Ø	
30	2	Thermoplastic	3	2	5	10	15	<b>HBL13R22</b>
30	3	Thermoplastic	3	3	7.5	15	20	<b>HBL13R23</b>
30	2	Aluminum	3/3R	2	5	10	15	<b>HBL13R12</b>
30	3	Aluminum	3/3R	3	7.5	15	20	<b>HBL13R13</b>

Note: See page F-21 for technical information.  
\*Drill weephole to alter from NEMA 3 to NEMA 3R.

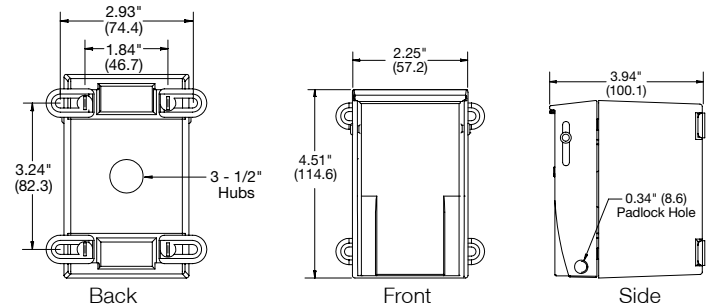


## Dimensions

### HBL13R22 and HBL13R23



### HBL13R12 and HBL13R13



## Circuit-Lock® NEMA 3R Enclosures with Switch

Ideal for use in outdoor environments.

Amp	Poles	Enclosure Material	HP Rating				Catalog Number
			120V AC 1Ø	240V AC 3Ø	480V AC 3Ø	600V AC 3Ø	
30	2	Aluminum	2	5	10	15	<b>HBL13R92</b>
30	3	Aluminum	3	7.5	15	20	<b>HBL13R89</b>
60	2	Aluminum	—	10	15	20	<b>HBL16R92D</b>
60	3	Aluminum	—	10	25	30	<b>HBL16R93D</b>

Note: For switch specifications refer to page F-21.



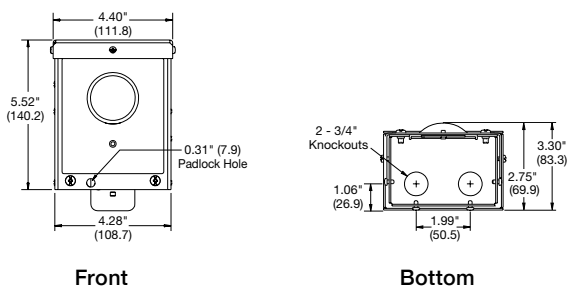
## Circuit-Lock® NEMA 3R Enclosures without Switch

For use with switches shown on page F-21.

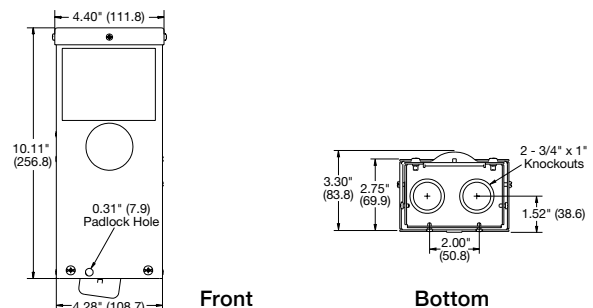
Description	Enclosure Material	Catalog Number
For use with 30A switch.	Aluminum	<b>HBL13R90</b>
For use with 60A switch.	Aluminum	<b>HBL16R90</b>

## Dimensions

### HBL13R90, HBL13R89 and HBL13R92



### HBL16R90, HBL16R92D and HBL16R93D



Dimensions in Inches (mm)