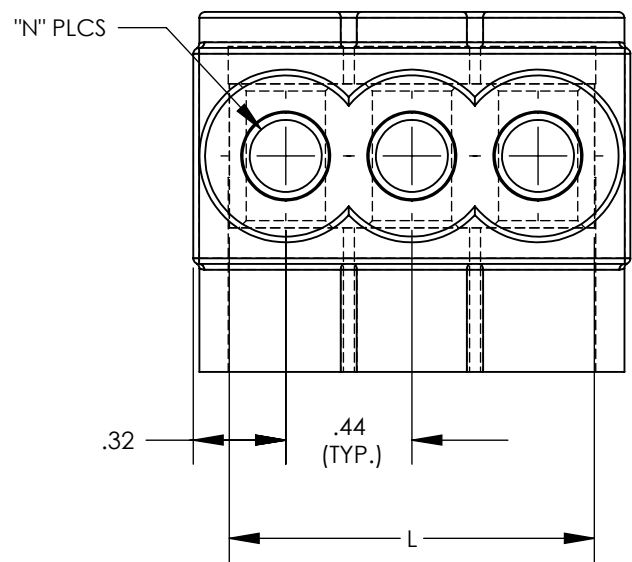
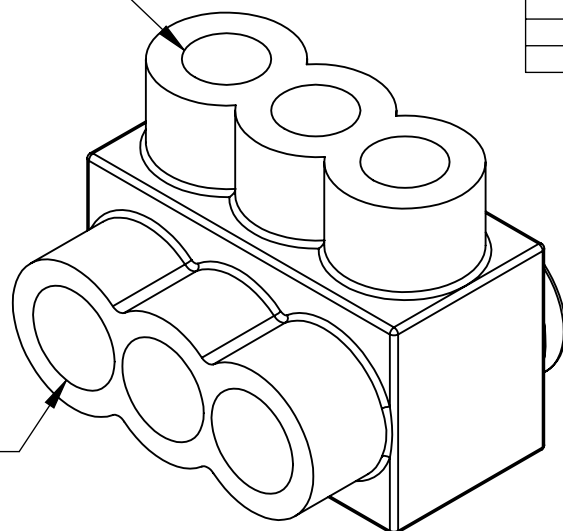


THIS COPY IS PROVIDED ON A RESTRICTED BASIS AND IS NOT TO BE USED IN ANY WAY DETRIMENTAL TO THE INTERESTS OF PANDUIT CORP.

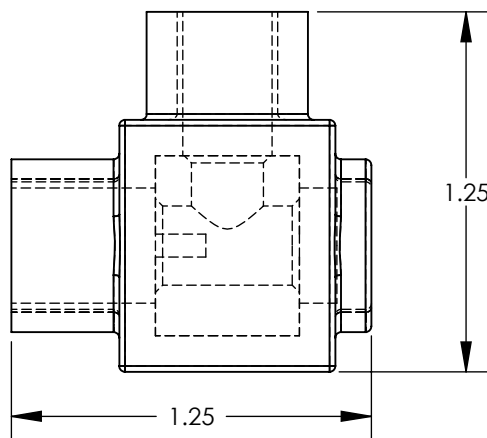
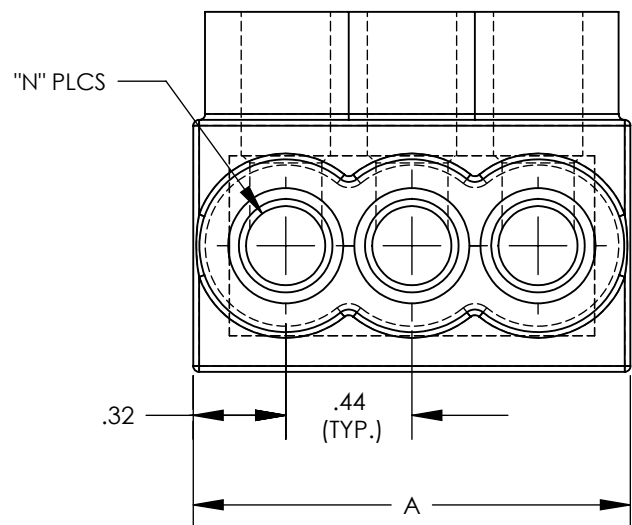


CLAMPLING SCREW ACCESS PORT (TYP.)

CONDUCTOR PORT (TYP.)



THREE PORT CONNECTOR BLOCK SHOWN WITH PLASTIC CLOSURE PLUGS REMOVED. SEE TABLE FOR DIMENSIONS OF PARTS WITH ADDITIONAL PORTS



PANDUIT FINISHED GOOD PART NUMBER	CONDUCTOR RANGE	HEX KEY	SCREW QTY.	CAP (SCREW PORT QTY.)	CAP (WIRE PORT QTY.)	A	L	N	TIGHTENING TORQUE
PCSB4-2S-12Y	#4 - #14 STR #10 - #14 SOL	1/8"	2	2	2	1.23	0.982	2	50 IN-LBS
PCSB4-3S-12Y			3	3	3	1.76	1.512	3	
PCSB4-4S-6Y			4	4	4	2.29	2.042	4	
PCSB4-5S-6Y			5	5	5	2.82	2.572	5	
PCSB4-6S-6Y			6	6	6	3.35	3.102	6	
PCSB4-10S-4Y			10	10	10	5.47	5.222	10	
PCSB4-12S-3Y			12	12	12	6.53	6.282	12	
PCSB4-14S-2Y			14	14	14	7.59	7.342	14	



NOTES:

- UL486A-UL486B LISTED, DUAL RATED CU9AL FOR ALUMINUM OR COPPER CONDUCTORS. MEETS OR EXCEEDS ANSI C119.4
- SEE TABLE FOR WIRE RANGE.
- STRIP LENGTH: .56+.06/-0
- SEE TABLE FOR TIGHTENING TORQUE SPECIFICATIONS.
- VOLTAGE RATING: 600 V. MAX. BUILDING WIRE, 1000 V. MAX. IN SIGNS & FIXTURES.
- TEMPERATURE RATING: 90 °C (CU9AL).
- CONNECTOR BLOCK BODY ARE MADE FROM ALUMINUM. CONDUCTOR PORTS IN CONNECTOR BLOCK ARE PREFILLED WITH AN OXIDE-INHIBITING COMPOUND.
- CONNECTOR TO INCLUDE ZINC PLATED STEEL CLAMPING SCREWS FOR EACH CONDUCTOR PORT.
- INSULATION MATERIAL IS CLEAR PVC.
- CLAMPING SCREW ACCESS PORTS AND ALL WIRE ENTRY PORTS ARE PROVIDED WITH REMOVABLE PLASTIC CLOSURE PLUGS.
- ALL DIMENSIONS SHOWN ARE NOMINAL.
- ONLY ONE CONDUCTOR PER PORT ALLOWED.
- PACKAGE QTY: -12 = 12 PCS.  
-6 = 6 PCS.  
-4 = 4 PCS.  
-3 = 3 PCS.  
-2 = 2 PCS.
- THIS PART IS RoHS COMPLIANT

REV	DATE	BY	CHK	APR	DESCRIPTION	ECN	TITLE	MATERIAL	DRAWING NUMBER	SHEET	SIZE	
							MULTI-TAP INSULATED CONNECTORS PCSB4 SERIES SINGLE SIDED CUSTOMER DRAWING					
							ITEM REVISION NAME N41529BB-C41529/06					
							DATASET FILE NAME C41529/06.SLDDRW					
06	12/17	JHNU	JHNU	RGB	REVISED DIM: .32 WAS .35, .44 WAS .53 REVISED A AND L DIM'S FOR ALL PART NUMBERS REVISED NOTE 8: ZINC PLATED STEEL WAS TIN PLATED ALUM.	N41529BB-C41529	UNLESS OTHERWISE SPECIFIED, DIMENSIONAL TOLERANCES ARE: IN [mm] .X ± .XXX ± .XX ± .02 ANGLES ±	SEE NOTES				
05	2/13	JHNU	JHNU	RGB	REVISED TITLE BLOCK	N41529BB-C41529	THIRD ANGLE PROJECTION		C41529			
							DRAWN BY MS	DATE 8/99	CHK RLS	SCALE NONE	SHEET 1 OF 1	SIZE B