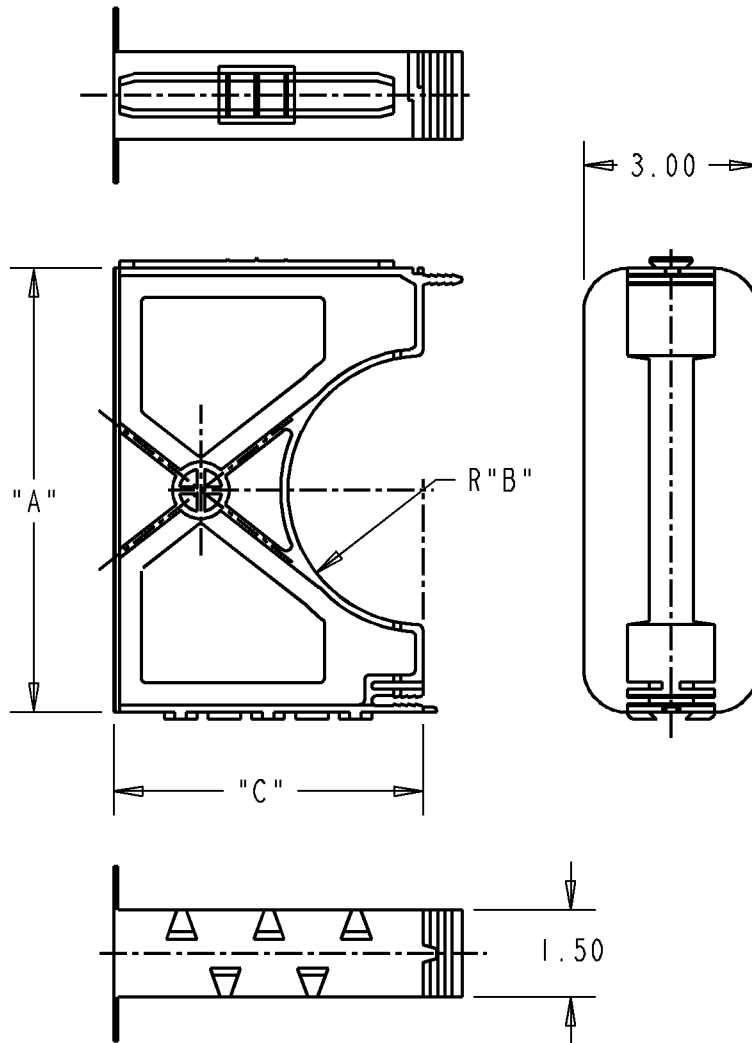


Carlton®




IMPORTANT:

- THE USE OF DUCT SPACERS FOR DIRECT BURIAL MAY RESULT IN EXCESSIVE POINT DEFLECTIONS UNLESS PROPER DESIGN ENGINEERING IS APPLIED, SUCH AS THE PROPER COMPACTION OF THE APPROPRIATE BACKFILL MATERIAL.
- CARLTON® IS NOT RESPONSIBLE FOR SNAP-LOC® SPACERS USED IN DIRECT BURY APPLICATIONS.. DESIGN ENGINEERS AND CONTRACTORS ARE RESPONSIBLE FOR THE DESIGN OF THE INSTALLATION.

NOTES:

1. MATERIAL: HIGH IMPACT STYRENE.
2. USE CARLTON® QUICK-SET CEMENT GLUE DURING ASSEMBLY OR SPOT GLUE AFTER ASSEMBLY TO SECURE.
3. PROLONGED EXPOSURE TO DIRECT SUNLIGHT COULD CAUSE MATERIAL BRITTLINESS.
4. NONMETALLIC SNAP-LOC® SPACERS ARE DESIGNED SPECIFICALLY FOR USE WITH NONMETALLIC DUCT, WITH A MAXIMUM O.D. DIMENSIONS OF NEMA TC-2, TC-6, TC-8 AND ASTM F512.

GENERAL NOTES		 www.tnb.com			
1. ALL DIMENSIONS ARE FOR REFERENCE ONLY. 2. DIMENSIONS IN BRACKETS [] ARE IN METRIC UNITS.					
REVISIONS		SPACER - BASE			
D SEE ERN (2012853) FOR APPROVAL SIGNATURES & RELEASE DATE. PROJECT NO: 5AM000013		ORIGINAL PROJECT NO / (ERN NO) ND55840 / (2009708)	SHEET NO: 1 OF 2	REV. NO: D	DRAWING NO: WSD-AC03236

Carlton®

S288SJN	8 X 2 (203.2 X 50.8)	10.755 (273.2)	4.378 (111.2)	7.38 (187.5)
S288SHN	8 X 1-1/2 (203.2 X 38.1)	10.255 (260.5)	4.378 (111.2)	7.38 (187.5)
S288RLN	6 X 3 (152.4 X 76.2)	9.750 (247.7)	3.375 (85.8)	6.38 (162.1)
S288RJN	6 X 2 (152.4 X 50.8)	8.750 (222.3)	3.375 (85.8)	6.38 (162.1)
S288RHN	6 X 1-1/2 (152.4 X 38.1)	8.250 (209.6)	3.375 (85.8)	6.38 (162.1)
S288PLN	5 X 3 (127.0 X 76.2)	8.690 (220.7)	2.845 (72.3)	5.84 (148.3)
S288PJN	5 X 2 (127.0 X 50.8)	7.690 (195.3)	2.845 (72.3)	5.84 (148.3)
S288PHN	5 X 1-1/2 (127.0 X 38.1)	7.190 (182.6)	2.845 (72.3)	5.84 (148.3)
S288NLN	4 X 3 (101.6 X 76.2)	7.625 (193.7)	2.312 (58.7)	4.50 (114.3)
S288NJN	4 X 2 (101.6 X 50.8)	6.625 (168.3)	2.312 (58.7)	4.50 (114.3)
S288NHN	4 X 1-1/2 (101.6 X 38.1)	6.125 (155.6)	2.312 (58.7)	4.50 (114.3)
S288NFN	4 X 1 (101.6 X 25.4)	5.609 (142.5)	2.312 (58.7)	4.50 (114.3)
S288LLN	3 X 3 (76.2 X 76.2)	6.625 (168.3)	1.812 (46.0)	4.81 (122.2)
S288LJN	3 X 2 (76.2 X 50.8)	5.625 (142.9)	1.812 (46.0)	4.81 (122.2)
S288LHN	3 X 1-1/2 (76.2 X 38.1)	5.125 (130.2)	1.812 (46.0)	4.81 (122.2)
S288JLN	2 X 3 (50.8 X 76.2)	5.500 (139.7)	1.250 (31.8)	4.25 (108.0)
S288JJN	2 X 2 (50.8 X 50.8)	4.500 (114.3)	1.250 (31.8)	4.25 (108.0)
S288JHN	2 X 1-1/2 (50.8 X 38.1)	4.000 (101.6)	1.250 (31.8)	4.25 (108.0)
PART NO.	DESCRIPTION	DIM 'A'	DIM 'B'	DIM 'C'

GENERAL NOTES

- ALL DIMENSIONS ARE FOR REFERENCE ONLY.
- DIMENSIONS IN BRACKETS [] ARE IN METRIC UNITS.

REVISIONS

D SEE ERN (2012853)
FOR APPROVAL SIGNATURES
& RELEASE DATE.
PROJECT NO: 5AM000013

Thomas & Betts
www.tnb.com

DESCRIPTION:

SPACER - BASE

ORIGINAL PROJECT NO / (ERN NO)
ND55840 / (2009708)

SHEET NO:
2 OF 2

REV. NO:
D

DRAWING NO:
WSD-AC03236