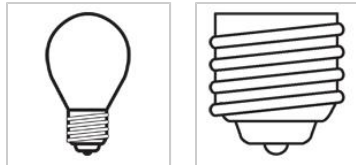
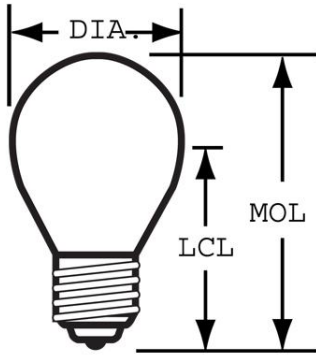




GE
Lighting

15734 - 40S11N/1/F

GE S11 - Traffic Signal; Appliance



CAUTIONS & WARNINGS

Warning

- Unexpected lamp rupture may cause injury, fire, or property damage
 - Avoid direct water/liquid contact.

GENERAL CHARACTERISTICS

| | |
|---------------------|---------------------------------------|
| Lamp Type | Incandescent - Appliance & Indicators |
| Bulb | S11 |
| Base | Intermediate Screw (E17) |
| Filament | C-9 |
| Bulb Finish | Frost |
| Rated Life | 500.0 hrs |
| Bulb Material | Soft glass |
| Primary Application | Traffic Signal;Appliance |

PHOTOMETRIC CHARACTERISTICS

| | |
|---------------------------------|-------|
| Initial Lumens | 440.0 |
| Nominal Initial Lumens per Watt | 11 |

ELECTRICAL CHARACTERISTICS

| | |
|--------------------------------|-------|
| Wattage | 40.0 |
| Voltage | 120.0 |
| Estimated Energy Cost per Year | 4.82 |

DIMENSIONS

| | |
|------------------------------|--------------------|
| Maximum Overall Length (MOL) | 2.3100 in(58.7 mm) |
| Bulb Diameter (DIA) | 1.375 in(34.9 mm) |
| Light Center Length (LCL) | 1.620 in(41.1 mm) |

PRODUCT INFORMATION

| | |
|----------------------------------|----------------|
| Product Code | 15734 |
| Description | 40S11N/1/F |
| Standard Package | Case |
| Standard Package GTIN | 10043168157343 |
| Standard Package Quantity | 120 |
| Sales Unit | Unit |
| No Of Items Per Sales Unit | 1 |
| No Of Items Per Standard Package | 120 |
| UPC | 043168157346 |