

# CHANGE<sup>®</sup> Fiberglass Construction Products

Catalog 12 October 2022

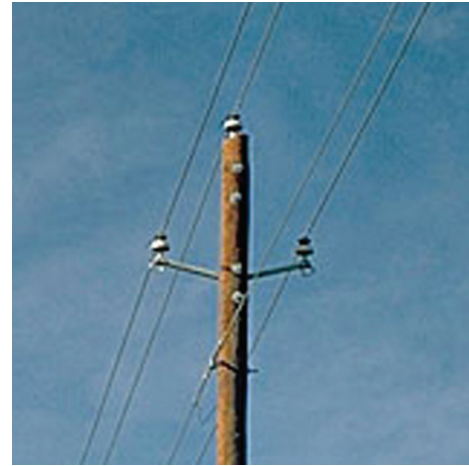
# Fiberglass Construction Products

## Standoff Brackets

With over 50 years of experience in manufacturing Chance® Fiberglass Rod polymer insulation products, we are continually expanding our product line to include utility requested products.

These armless construction configurations include various components, such as ductile iron and aluminum fittings, optional lead, nylon or plastisol threads.

Fiberglass units do not warp, split or shrink. They reduce the risk of pole fires due to tracking. All units are coated with a special ultraviolet-resistant polyurethane gray paint or silicone coating. They can also reduce the labor involved during installation, because they are shipped ready to install.



## Guy Strains

Guy Strains may be installed anywhere along the guy wire to help protect against stray current that may be on the guy caused by lightning strikes or other sources. These fiberglass units serve as a replacement for porcelain insulators or johnny balls, and they extend the insulation length. Fiberglass guy strains offer numerous advantages, including variable lengths, easy terminations, and resistance to fracture caused by brittleness.



Chance Guy Strains use a veiled or optional silicone coated rod instead of a painted rod. These rods achieve high ultraviolet resistance while protecting the rod from surface scratches that would remove paint from other types of guy strains. Our castings are crimped (not glued) onto the rod and sealed with silicone for moisture lock-out. Prevention of moisture penetration at the rod/casting interface enhances the performance and life span of the guy strain.

### Table of Contents

Index . . . . .	12-3
Guy Strain Part Number System . . . . .	12-4
Guy Strains . . . . .	12-5
Guy Strain Hardware . . . . .	12-18
Secondary Connectors . . . . .	12-19
Downlead Brackets . . . . .	12-20
Fiberglass Bracket Part Number System . . . . .	12-21
Brackets for Post Insulators . . . . .	12-22
Conductor Support (Pin) Brackets . . . . .	12-24
Communication Brackets . . . . .	12-32
Suspension Brackets . . . . .	12-34
Tangent Bracket . . . . .	12-35
Corner Brackets . . . . .	12-36
Cutout / Arrester Brackets . . . . .	12-38
Deadend Arms . . . . .	12-60
Composite Crossarm Smart Number System . . . . .	12-63

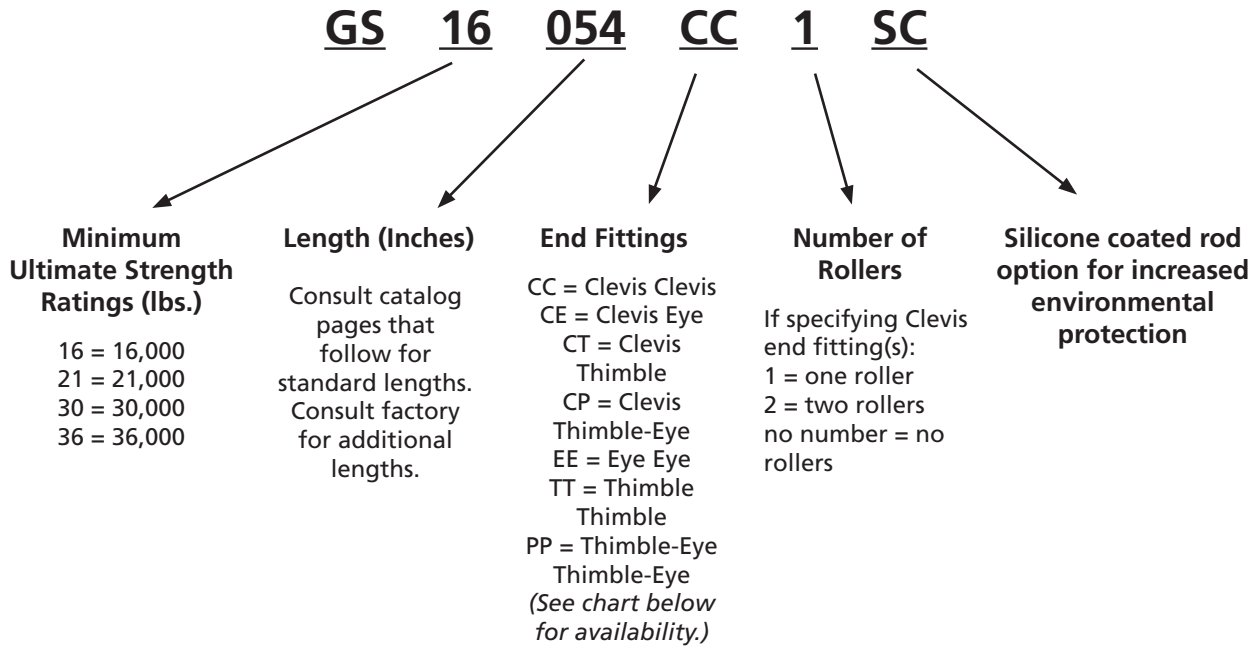


# INDEX

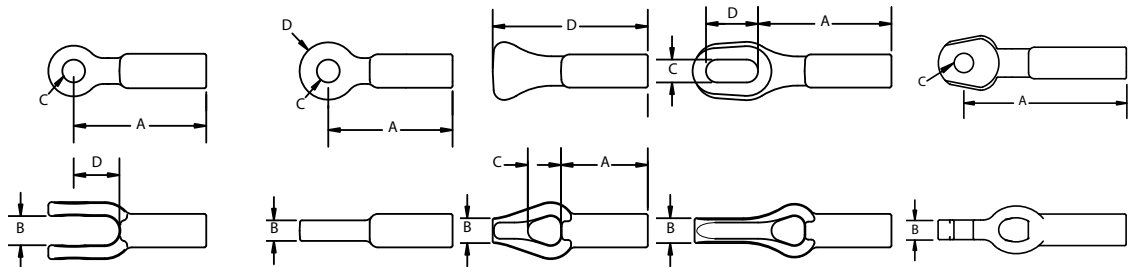
<b>Catalog Number</b>	<b>Page</b>	<b>Catalog Number</b>	<b>Page</b>	<b>Catalog Number</b>	<b>Page</b>
1CSMxx	33	2SBHxxCLHCLH	49	CW3CA92FG	60
1SBExxS	34	2SBHxxHH	30	CW4CA726FG	60
1SBHxxAMT	43	2SBHxxVV	29	CW4CA726FGBW	60
1SBHxxAMTB	43	3SBHFxxxxSGL	54	DEHxxDP	63
1SBHxxCL	46	2SBMxxAMTAMT	47	DEMxxDP	62
1SBHxxCLH	46	2SBMxxAMTBAMTB	47	DEMxxSP	61
1SBHxxH	25	2SBMxxCLCL	49	DEMxxSPEB	60
1SBHxxPF	22	2SBMxxCLHCLH	49	DLMxxBC	20
1SBHxxV	24	2SBMxxDFCL	48	GS16xxxCC	5
1SBMxxAM	40	2SBMxxDFCLH	48	GS16xxxCE	7
1SBMxxAMB	40	2SBMxxHH	30	GS16xxxCP	6
1SBMxxAMSB	40	2SBMxxVV	29	GS16xxxCT	8
1SBMxxAMT	43	274xxx4001	18	GS16xxxEE	9
1SBMxxAMTB	43	3SBLxxxxC	50	GS16xxxTT	10
1SBMxxC	41	3SBLxxxxCSB	50	GS21xxxCC	11
1SBMxxCB	41	3SBMxxxxAM	52	GS21xxxCP	12
1SBMxxCL	45	3SBMxxxxAMB	52	GS21xxxPP	13
1SBMxxCLH	45	3SBMxxxxAMT	57	GS30xxxCC	14
1SBMxxCLRH	45	3SBMxxxxAMTB	57	GS30xxxCP	15
1SBMxxCSB	41	3SBMxxxxCL	59	GS30xxxPP	16
1SBMxxCT	42	3SBMxxxxCLH	59	GS36xxxCC	17
1SBMxxCTB	42	3SBMxxxxCLRH	59	PSC6531895	19
1SBMxxH	25	3SBMxxxxCT	56	PSC6531955	19
1SBMxxS	34	3SBMxxxxCTB	56	PSC6532012	19
1SBMxxTD	38	3SBMxxxxDFCL	58	PSC6532013	19
1SBMxxV	24	3SBMxxxxDFCLH	58	PSC6532019	55
1SBMxxDFCL	44	3SBMxxxxSGL	51	PSC6532020	55
1SBMxxDFCLH	44	3SBMxxxxSGLB	51	PSC6532021	55
1SBMxxSGL	39	3SMBxxxxSGLSB	51	PSP6531907P	18
1SBMxxSGLB	39	3SBMxxxxVV	31	PST6531849	44
1SBMxxSGLSB	39	3SBMFxxxxAM	53	RPHxxx	26
1XPMxxx	27	3SBMFxxxxAMB	53	RPHxxPF	23
104xxx0000	18	8616644002	18	RPMxxx	26
2SBHxxAMTAMT	47	C6530731	28	SPO40011	36
2SBHxxAMTBAMTB	47	CDA25GxxxDxxxx	65	T6530234	37
2SBHxxCLCL	49	CW2CA44FQGFG	60	T6531191	35



## Guy Strain Part Number System



## Guy Strain End Fittings



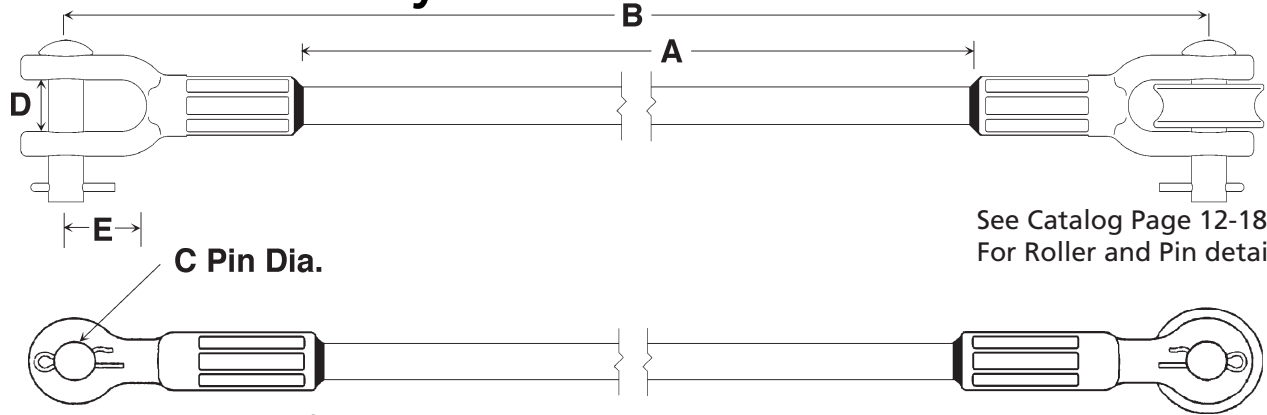
Type	CLEVIS (C)				EYE (E)	THIMBLE (T)	THIMBLE-EYE (P)	THIMBLE-EYE (P)		
	16,000	21,000	30,000	36,000				21,000	30,000	
Dimension (Inches)	A	4.0	4.2	6.0	7.5	3.8	2.6	2.6	5.3	6.9
	B	0.9	0.9	1.0	1.0	0.6	0.8	0.8	0.7	0.8
	C	0.7	0.7	0.8	0.9	0.7	1.0	0.7	0.7	0.8
	D	1.4	1.4	2.0	2.1	1.7	4.7	1.6	N/A	N/A

Castings are hot-dip galvanized ductile iron.

Downlead Brackets and Replacement Guy Strain Hardware also available; listed on catalog pages 12-20 and 12-19.



# 16,000 lb. Series Guy Strains - Clevis / Clevis



See Catalog Page 12-18  
For Roller and Pin details

See Note For Roller Configurations

- C Dimension is 5/8" (16 mm) for 16,000 lbs. series
- D Dimension is 0.9" (23 mm) for 16,000 lbs. series
- E Dimension is 1.4" (36 mm) for 16,000 lbs. series

5/8" dia. Fiberglass rod.

Castings are hot-dip galvanized ductile iron.

**RUS Accepted.**

Catalog Number	Length A	Length B	Weight (Each)
<b>16,000 lbs. (7258 kg) Minimum Ultimate Strength*</b>			
GS16012CC1	12" (30.5 cm)	20" (50.8 cm)	2.8 lbs. (1.3 kg)
GS16018CC1	18" (45.7 cm)	26" (66.0 cm)	2.9 lbs. (1.3 kg)
GS16024CC1	24" (61.0 cm)	32" (81.3 cm)	3.1 lbs. (1.4 kg)
GS16030CC1	30" (76.2 cm)	38" (96.5 cm)	3.2 lbs. (1.4 kg)
GS16036CC1	36" (91.4 cm)	44" (111.8 cm)	3.3 lbs. (1.5 kg)
GS16042CC1	42" (106.7 cm)	50" (127.0 cm)	3.5 lbs. (1.6 kg)
GS16054CC1	54" (137.2 cm)	62" (157.5 cm)	3.7 lbs. (1.7 kg)
GS16060CC1	60" (152.4 cm)	68" (172.7 cm)	3.8 lbs. (1.7 kg)
GS16078CC1	78" (198.1 cm)	86" (218.4 cm)	4.2 lbs. (1.9 kg)
GS16096CC1	96" (243.8 cm)	104" (264.2 cm)	4.6 lbs. (2.1 kg)
GS16120CC1	120" (304.8 cm)	128" (325.1 cm)	5.1 lbs. (2.3 kg)
GS16144CC1	144" (365.8 cm)	152" (386.1 cm)	5.7 lbs. (2.6 kg)

**\*Recommended maximum working load is 50% of minimum ultimate ratings listed.**

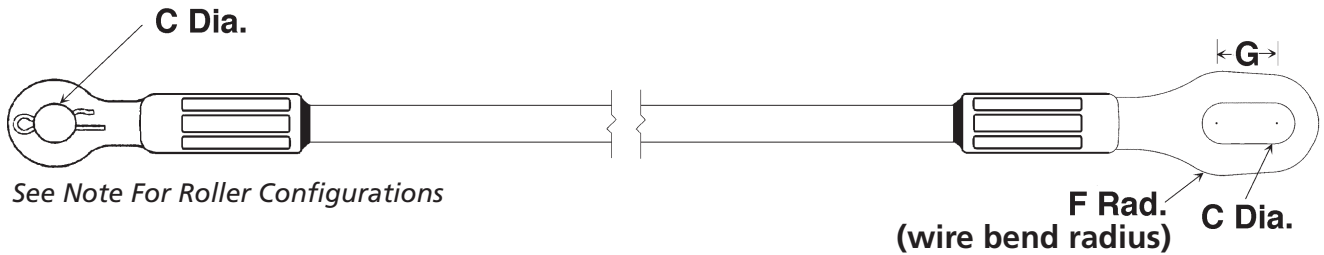
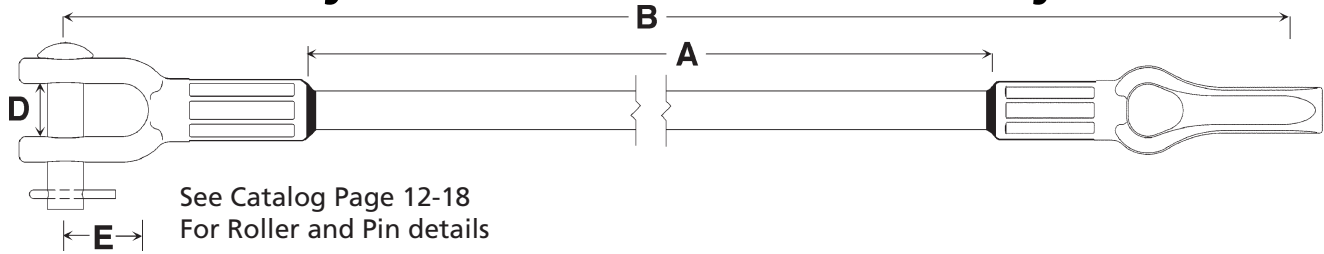
*GS—CC1 series has 1 Roller as detailed in drawing*

*For 2 Rollers, replace "CC1" in number with "CC2"*

*For no Rollers, replace "CC1" in number with "CC"*

*Add "SC" suffix to the end of the catalog number to denote Silicone Coated rod*

# 16,000 lb. Series Guy Strains - Clevis / Thimble-Eye



C Dimension is 5/8" (16 mm) for 16,000 lbs. series  
 D Dimension is 0.9" (23 mm) for 16,000 lbs. series  
 E Dimension is 1.4" (36 mm) for 16,000 lbs. series  
 G Dimension is 0.9" (23 mm) for 16,000 lbs. series

5/8" dia. Fiberglass rod.  
 Castings are hot-dip galvanized ductile iron.

**RUS Accepted.**

Catalog Number	Length A	Length B	Radius F	Weight (Each)
<b>16,000 lbs. (7258 kg) Minimum Ultimate Strength*</b>				
GS16012CP	12" (30.5 cm)	21.3" (54.1 cm)	0.75" (19 mm)	2.8 lbs. (1.3 kg)
GS16018CP	18" (45.7 cm)	27.3" (69.3 cm)	0.75" (19 mm)	2.9 lbs. (1.3 kg)
GS16024CP	24" (61.0 cm)	33.3" (84.6 cm)	0.75" (19 mm)	3.1 lbs. (1.4 kg)
GS16036CP	36" (91.4 cm)	45.3" (115.1 cm)	0.75" (19 mm)	3.3 lbs. (1.5 kg)
GS16042CP	42" (106.7 cm)	51.3" (130.3 cm)	0.75" (19 mm)	3.5 lbs. (1.6 kg)
GS16054CP	54" (137.2 cm)	63.3" (160.8 cm)	0.75" (19 mm)	3.7 lbs. (1.7 kg)
GS16078CP	78" (198.1 cm)	87.3" (221.7 cm)	0.75" (19 mm)	4.2 lbs. (1.9 kg)
GS16096CP	96" (243.8 cm)	105.3" (267.5 cm)	0.75" (19 mm)	4.6 lbs. (2.1 kg)
GS16120CP	120" (304.8 cm)	129.3" (328.4 cm)	0.75" (19 mm)	5.1 lbs. (2.3 kg)
GS16144CP	144" (365.8 cm)	153.3" (389.4 cm)	0.75" (19 mm)	5.6 lbs. (2.5 kg)

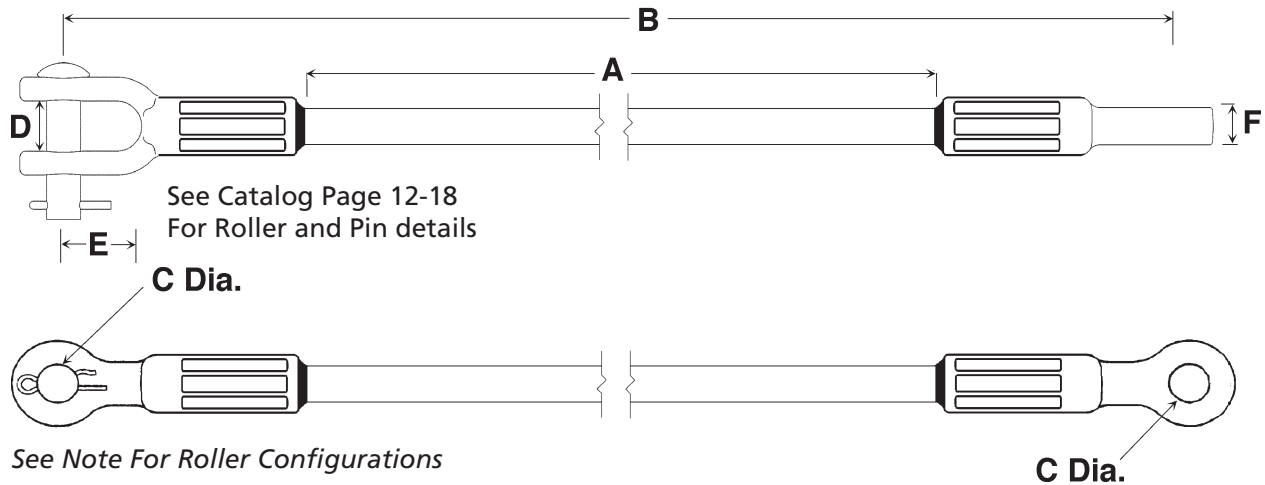
**\*Recommended maximum working load is 50% of minimum ultimate ratings listed.**

GS—CP series has No Roller as detailed in drawing  
 For 1 Roller, replace "CP" in number with "CP1"

Add "SC" suffix to the end of the catalog number to denote Silicone Coated rod



# 16,000 lb. Series Guy Strains - Clevis / Eye



See Note For Roller Configurations

C Dimension is 5/8" (16 mm)  
 D Dimension is 0.9" (23 mm)  
 E Dimension is 1.4" (36 mm)

5/8" dia. Fiberglass rod.

Castings are hot-dip galvanized ductile iron.

**RUS Accepted.**

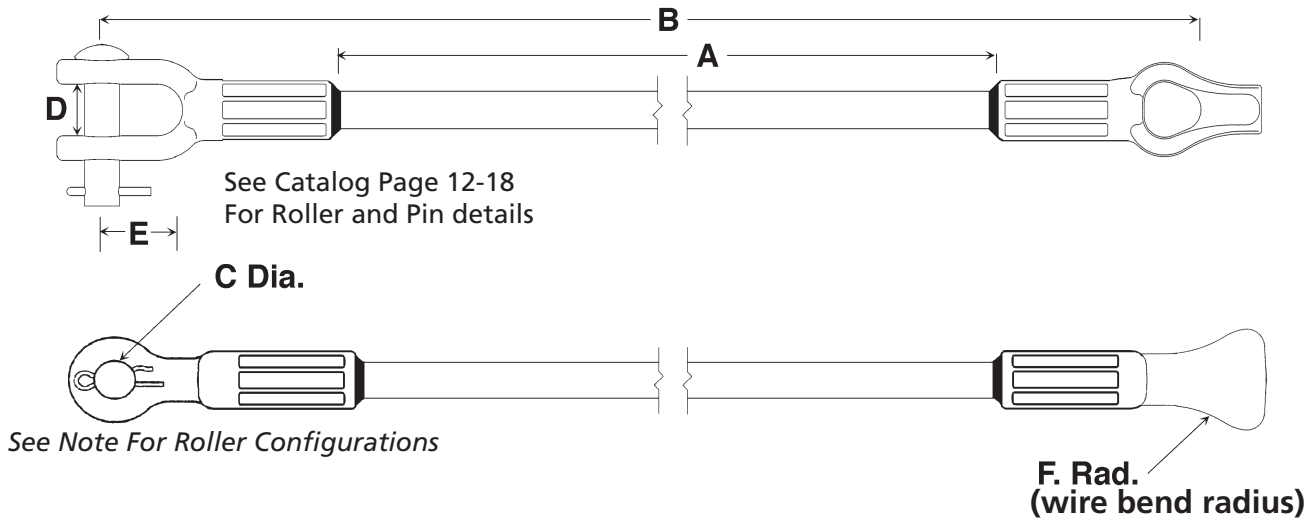
Catalog Number	Length A	Length B	Width F	Weight (Each)
<b>16,000 lbs. (7258 kg) Minimum Ultimate Strength*</b>				
GS16012CE	12" (30.5 cm)	19.8" (50.3 cm)	0.625" (16 mm)	2.8 lbs. (1.3 kg)
GS16018CE	18" (45.7 cm)	25.8" (65.5 cm)	0.625" (16 mm)	2.9 lbs. (1.3 kg)
GS16024CE	24" (61.0 cm)	31.8" (80.8 cm)	0.625" (16 mm)	3.1 lbs. (1.4 kg)
GS16030CE	30" (76.2 cm)	37.8" (96.0 cm)	0.625" (16 mm)	3.2 lbs. (1.4 kg)
GS16036CE	36" (91.4 cm)	43.8" (111.3 cm)	0.625" (16 mm)	3.3 lbs. (1.5 kg)
GS16054CE	54" (137.2 cm)	61.8" (157.0 cm)	0.625" (16 mm)	3.7 lbs. (1.7 kg)
GS16060CE	60" (152.4 cm)	67.8" (172.2 cm)	0.625" (16 mm)	3.8 lbs. (1.7 kg)
GS16078CE	78" (198.1 cm)	85.8" (217.9 cm)	0.625" (16 mm)	4.2 lbs. (1.9 kg)
GS16120CE	120" (304.8 cm)	127.8" (324.6 cm)	0.625" (16 mm)	5.1 lbs. (2.3 kg)
GS16144CE	144" (365.8 cm)	151.8" (385.6 cm)	0.625" (16 mm)	5.7 lbs. (2.6 kg)

**\*Recommended maximum working load is 50% of minimum ultimate ratings listed.**

GS—CE series has No Roller as detailed in drawing  
 For 1 Roller, replace "CE" in number with "CE1"

Add "SC" suffix to the end of the catalog number to denote Silicone Coated rod

# 16,000 lb. Series Guy Strains - Clevis / Thimble



C Dimension is 5/8" (16 mm)  
D Dimension is 0.9" (23 mm)  
E Dimension is 1.4" (36 mm)

5/8" dia. Fiberglass rod.

Castings are hot-dip galvanized ductile iron.

**RUS Accepted.**

Catalog Number	Length A	Length B	Radius F	Weight (Each)
<b>16,000 lbs. (7258 kg) Minimum Ultimate Strength*</b>				
GS16012CT	12" (30.5 cm)	19.6" (49.8 cm)	0.75" (19 mm)	2.8 lbs. (1.3 kg)
GS16024CT	24" (61.0 cm)	31.6" (80.3 cm)	0.75" (19 mm)	3.1 lbs. (1.4 kg)
GS16036CT	36" (91.4 cm)	43.6" (110.7 cm)	0.75" (19 mm)	3.3 lbs. (1.5 kg)
GS16054CT	54" (137.2 cm)	61.6" (156.5 cm)	0.75" (19 mm)	3.7 lbs. (1.7 kg)
GS16078CT	78" (198.1 cm)	85.6" (217.4 cm)	0.75" (19 mm)	4.2 lbs. (1.9 kg)

**\*Recommended maximum working load is 50% of minimum ultimate ratings listed.**

GS—CT series has No Roller as detailed in drawing

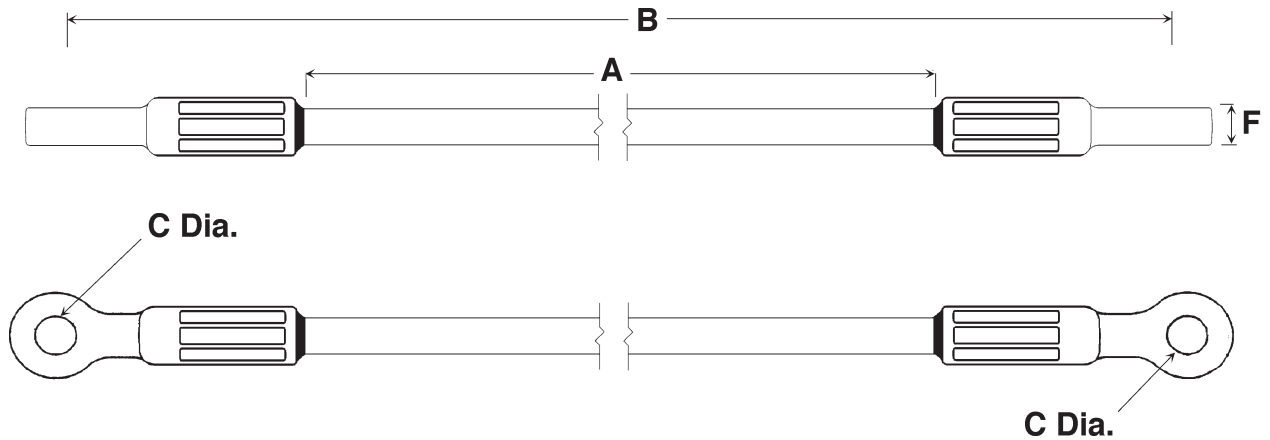
For 1 Roller, replace "CT" in number with "CT1"

Consult factory for additional lengths.

Add "SC" suffix to the end of the catalog number to denote Silicone Coated rod



# 16,000 lb. Series Guy Strains - Eye / Eye



C Dimension is 5/8" (16 mm) for 16,000 lbs. series

5/8" dia. Fiberglass rod.

**RUS Accepted.**

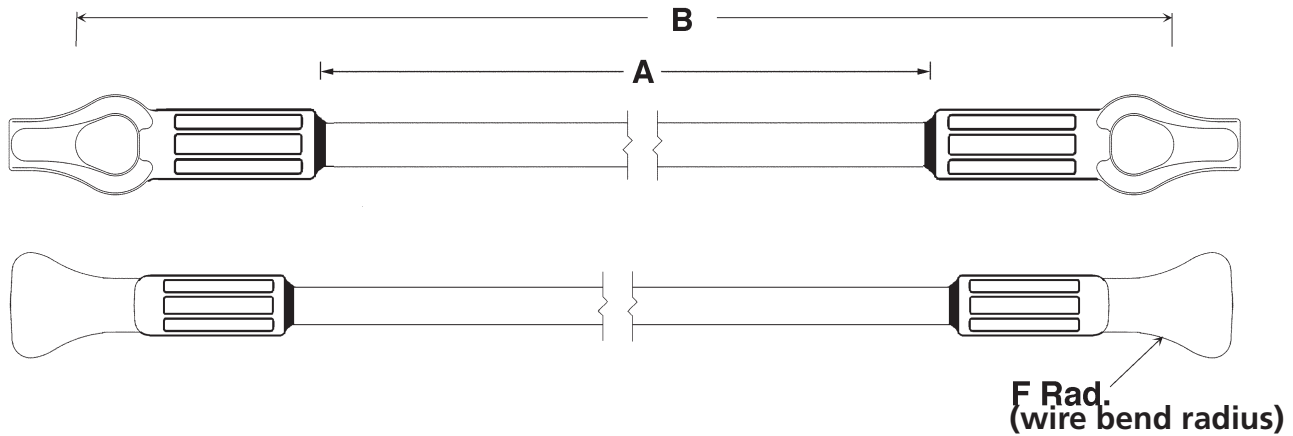
Castings are hot-dip galvanized ductile iron.

Catalog Number	Length A	Length B	Width F	Weight (Each)
<b>16,000 lbs. (7258 kg) Minimum Ultimate Strength*</b>				
GS16012EE	12" (30.5 cm)	19.6" (49.8 cm)	0.625" (16 mm)	2.8 lbs. (1.3 kg)
GS16018EE	18" (45.7 cm)	25.6" (65.0 cm)	0.625" (16 mm)	2.9 lbs. (1.3 kg)
GS16024EE	24" (61.0 cm)	31.6" (80.3 cm)	0.625" (16 mm)	3.1 lbs. (1.4 kg)
GS16036EE	36" (91.4 cm)	43.6" (110.7 cm)	0.625" (16 mm)	3.3 lbs. (1.5 kg)
GS16042EE	42" (106.7 cm)	49.6" (126.0 cm)	0.625" (16 mm)	3.5 lbs. (1.6 kg)
GS16054EE	54" (137.2 cm)	61.6" (156.5 cm)	0.625" (16 mm)	3.7 lbs. (1.7 kg)
GS16078EE	78" (198.1 cm)	85.6" (217.4 cm)	0.625" (16 mm)	4.2 lbs. (1.9 kg)
GS16096EE	96" (243.8 cm)	103.6" (263.1 cm)	0.625" (16 mm)	4.6 lbs. (2.1 kg)
GS16120EE	120" (304.8 cm)	127.6" (324.1 cm)	0.625" (16 mm)	5.1 lbs. (2.3 kg)
GS16144EE	144" (365.8 cm)	151.6" (385.1 cm)	0.625" (16 mm)	5.7 lbs. (2.6 kg)

**\*Recommended maximum working load is 50% of minimum ultimate ratings listed.**

Add "SC" suffix to the end of the catalog number to denote Silicone Coated rod

# 16,000 lb. Series Guy Strains - Thimble / Thimble



5/8" dia. Fiberglass rod.

Castings are hot-dip galvanized ductile iron.

**RUS Accepted.**

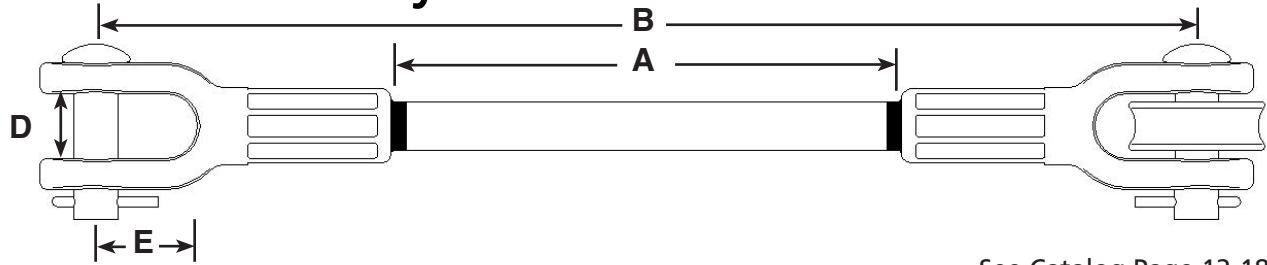
Catalog Number	Length A	Length B	Radius F	Weight (Each)
<b>16,000 lbs. (7258 kg) Minimum Ultimate Strength*</b>				
GS16012TT	12" (30.5 cm)	19.2" (48.8 cm)	0.75" (19 mm)	2.8 lbs. (1.3 kg)
GS16018TT	18" (45.7 cm)	25.2" (64.0 cm)	0.75" (19 mm)	2.9 lbs. (1.3 kg)
GS16036TT	36" (91.4 cm)	43.2" (109.7 cm)	0.75" (19 mm)	3.3 lbs. (1.5 kg)
GS16042TT	42" (106.7 cm)	49.2" (125.0 cm)	0.75" (19 mm)	3.4 lbs. (1.5 kg)
GS16054TT	54" (137.2 cm)	61.2" (155.4 cm)	0.75" (19 mm)	3.7 lbs. (1.7 kg)
GS16078TT	78" (198.1 cm)	85.2" (216.4 cm)	0.75" (19 mm)	4.2 lbs. (1.9 kg)

**\*Recommended maximum working load is 50% of minimum ultimate ratings listed.**

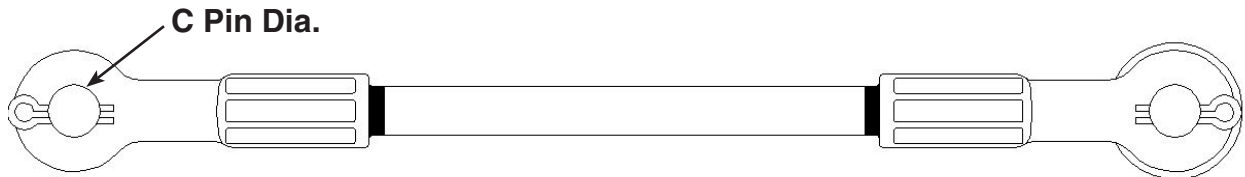
*Consult factory for additional lengths.*

*Add "SC" suffix to the end of the catalog number to denote Silicone Coated rod*

# 21,000 lb. Series Guy Strains - Clevis / Clevis



See Catalog Page 12-18  
For Roller and Pin details



See Note For Roller Configurations

- C Dimension is 5/8" (16 mm) for 21,000 lbs. series
- D Dimension is 0.9" (23 mm) for 21,000 lbs. series
- E Dimension is 1.4" (36 mm) for 21,000 lbs. series

5/8" dia. Fiberglass rod.

Castings are hot-dip galvanized ductile iron.

**RUS Accepted.**

Catalog Number	Length A	Length B	Weight (Each)
<b>21,000 lbs. (9525 kg) Minimum Ultimate Strength*</b>			
GS21012CC1	12" (30.5 cm)	21" (53.3 cm)	4.4 lbs. (2.0 kg)
GS21018CC1	18" (45.7 cm)	27" (68.6 cm)	4.6 lbs. (2.1 kg)
GS21024CC1	24" (61.0 cm)	33" (83.8 cm)	4.8 lbs. (2.2 kg)
GS21030CC1	30" (76.2 cm)	39" (99.1 cm)	5.0 lbs. (2.3 kg)
GS21036CC1	36" (91.4 cm)	45" (114.3 cm)	5.1 lbs. (2.3 kg)
GS21042CC1	42" (106.7 cm)	51" (129.5 cm)	5.3 lbs. (2.4 kg)
GS21054CC1	54" (137.2 cm)	63" (160.0 cm)	5.7 lbs. (2.6 kg)
GS21060CC1	60" (152.4 cm)	69" (175.3 cm)	5.8 lbs. (2.6 kg)
GS21078CC1	78" (198.1 cm)	87" (221.0 cm)	6.4 lbs. (2.9 kg)
GS21096CC1	96" (243.8 cm)	105" (266.7 cm)	6.9 lbs. (3.1 kg)
GS21120CC1	120" (304.8 cm)	129" (327.7 cm)	7.6 lbs. (3.4 kg)
GS21144CC1	144" (365.8 cm)	153" (388.6 cm)	8.3 lbs. (3.7 kg)

**\*Recommended maximum working load is 50% of minimum ultimate ratings listed.**

GS—CC1 series has 1 Roller as detailed in drawing

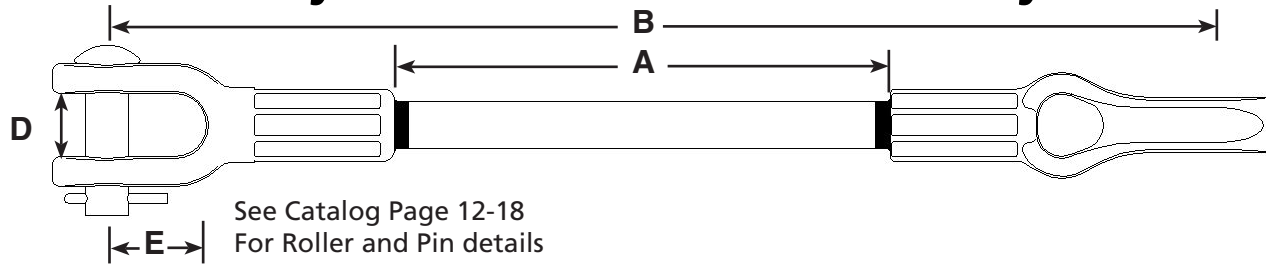
For 2 Rollers, replace "CC1" in number with "CC2"

For no Rollers, replace "CC1" in number with "CC"

Add "SC" suffix to the end of the catalog number to denote Silicone Coated rod

"CC1L" or "CC2L" indicates large roller

# 21,000 lb. Series Guy Strains - Clevis / Thimble-Eye



See Note For Roller Configurations

C Dimension is 5/8" (16 mm) for 21,000 lbs. series  
 D Dimension is 0.9" (23 mm) for 21,000 lbs. series  
 E Dimension is 1.4" (36 mm) for 21,000 lbs. series

5/8" dia. Fiberglass rod.  
 Castings are hot-dip galvanized ductile iron.

**RUS Accepted.**

Catalog Number	Length A	Length B	Radius F	Weight (Each)
<b>21,000 lbs. (9525 kg) Minimum Ultimate Strength*</b>				
GS21012CP	12" (30.5 cm)	22" (55.9 cm)	0.78" (20 mm)	4.5 lbs. (2.0 kg)
GS21018CP	18" (45.7 cm)	28" (71.1 cm)	0.78" (20 mm)	4.6 lbs. (2.1 kg)
GS21024CP	24" (61.0 cm)	34" (86.4 cm)	0.78" (20 mm)	4.8 lbs. (2.2 kg)
GS21036CP	36" (91.4 cm)	46" (116.8 cm)	0.78" (20 mm)	5.1 lbs. (2.3 kg)
GS21054CP	54" (137.2 cm)	64" (162.6 cm)	0.78" (20 mm)	5.7 lbs. (2.6 kg)
GS21060CP	60" (152.4 cm)	70" (177.8 cm)	0.78" (20 mm)	5.8 lbs. (2.6 kg)
GS21078CP	78" (198.1 cm)	88" (223.5 cm)	0.78" (20 mm)	6.4 lbs. (2.9 kg)
GS21096CP	96" (243.8 cm)	106" (269.2 cm)	0.78" (20 mm)	6.9 lbs. (3.1 kg)
GS21120CP	120" (304.8 cm)	130" (330.2 cm)	0.78" (20 mm)	7.6 lbs. (3.4 kg)
GS21144CP	144" (365.8 cm)	154" (391.2 cm)	0.78" (20 mm)	8.3 lbs. (3.7 kg)

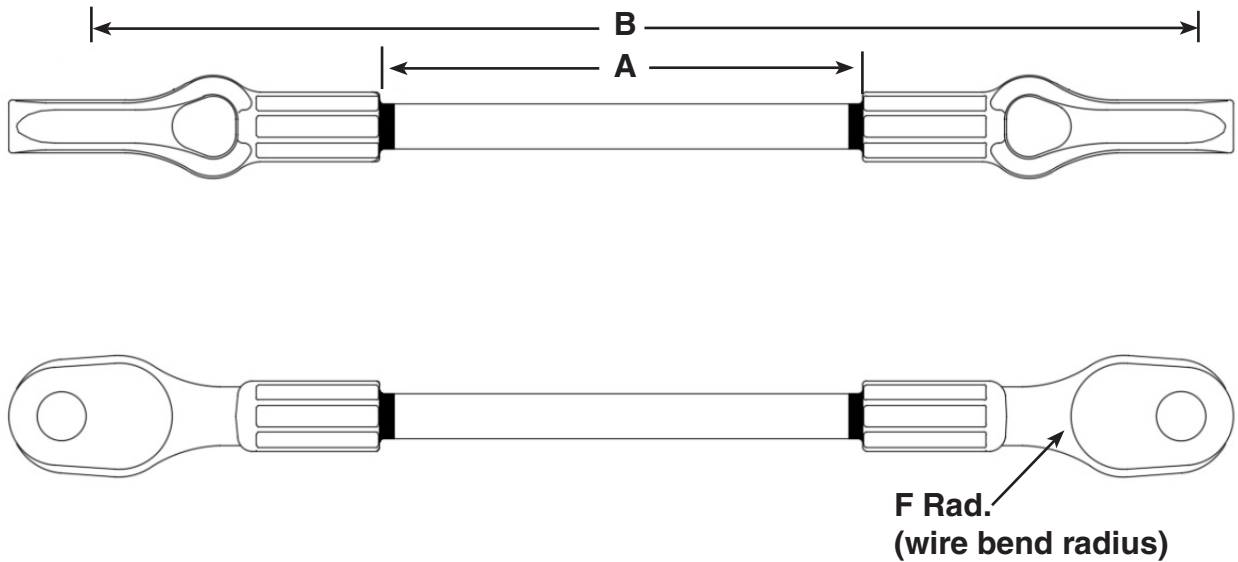
**\*Recommended maximum working load is 50% of minimum ultimate ratings listed.**

GS—CP series has No Roller as detailed in drawing

For 1 Roller, replace "CP" in number with "CP1"

Add "SC" suffix to the end of the catalog number to denote Silicone Coated rod

# 21,000 lb. Series Guy Strains - Thimble-Eye / Thimble-Eye



5/8" dia. Fiberglass rod.  
Castings are hot-dip galvanized ductile iron.

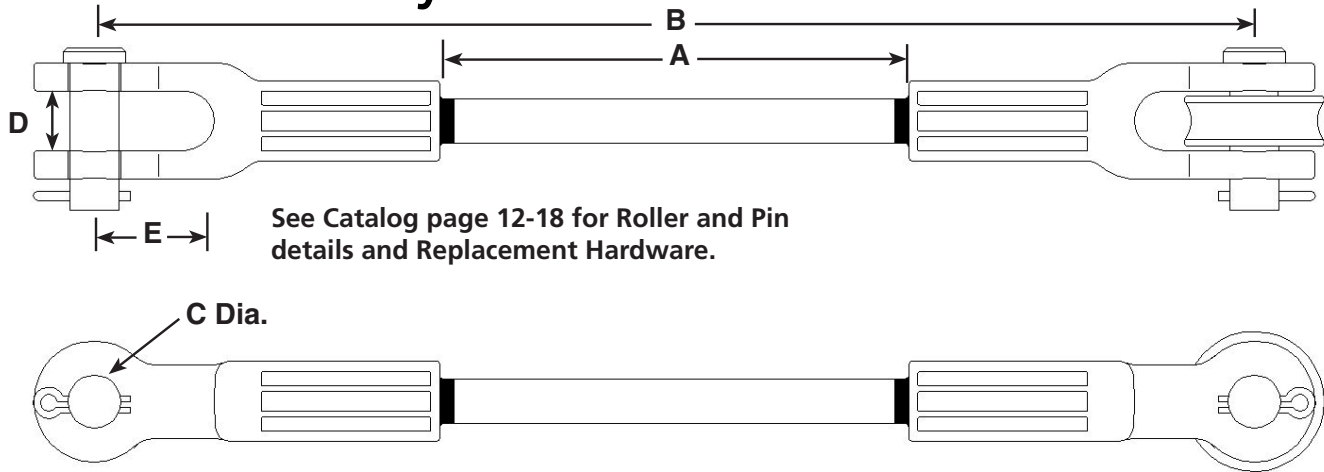
**RUS Accepted.**

Catalog Number	Length A	Length B	Radius F	Weight (Each)
<b>21,000 lbs. (9525 kg) Minimum Ultimate Strength*</b>				
GS21012PP	12" (30.5 cm)	22.5" (57.2 cm)	0.78" (20 mm)	2.7 lbs. (1.2 kg)
GS21018PP	18" (45.7 cm)	28.5" (72.4 cm)	0.78" (20 mm)	2.9 lbs. (1.3 kg)
GS21024PP	24" (61.0 cm)	34.5" (87.6 cm)	0.78" (20 mm)	3.1 lbs. (1.4 kg)
GS21036PP	36" (91.4 cm)	46.5" (118.1 cm)	0.78" (20 mm)	3.5 lbs. (1.6 kg)
GS21054PP	54" (137.2 cm)	64.5" (163.8 cm)	0.78" (20 mm)	4.0 lbs. (1.8 kg)
GS21060PP	60" (152.4 cm)	70.5" (179.1 cm)	0.78" (20 mm)	4.2 lbs. (1.9 kg)
GS21078PP	78" (198.1 cm)	88.5" (224.8 cm)	0.78" (20 mm)	4.7 lbs. (2.1 kg)
GS21096PP	96" (243.8 cm)	106.5" (270.5 cm)	0.78" (20 mm)	5.3 lbs. (2.4 kg)
GS21120PP	120" (304.8 cm)	130.5" (331.5 cm)	0.78" (20 mm)	6.0 lbs. (2.7 kg)
GS21144PP	144" (365.8 cm)	154.5" (392.4 cm)	0.78" (20 mm)	6.7 lbs. (3.0 kg)

**\*Recommended maximum working load is 50% of minimum ultimate ratings listed.**

Add "SC" suffix to the end of the catalog number to denote Silicone Coated rod

## 30,000 lb. SERIES Guy Strains - Clevis / Clevis



See Catalog page 12-18 for Roller and Pin details and Replacement Hardware.

See Note For Roller Configurations

- C Dimension is 3/4" for 30,000 lbs. series
- D Dimension is 1" for 30,000 lbs. series
- E Dimension is 2.04" for 30,000 lbs. series

3/4" dia. Fiberglass rod.  
Castings are hot-dip galvanized ductile iron.

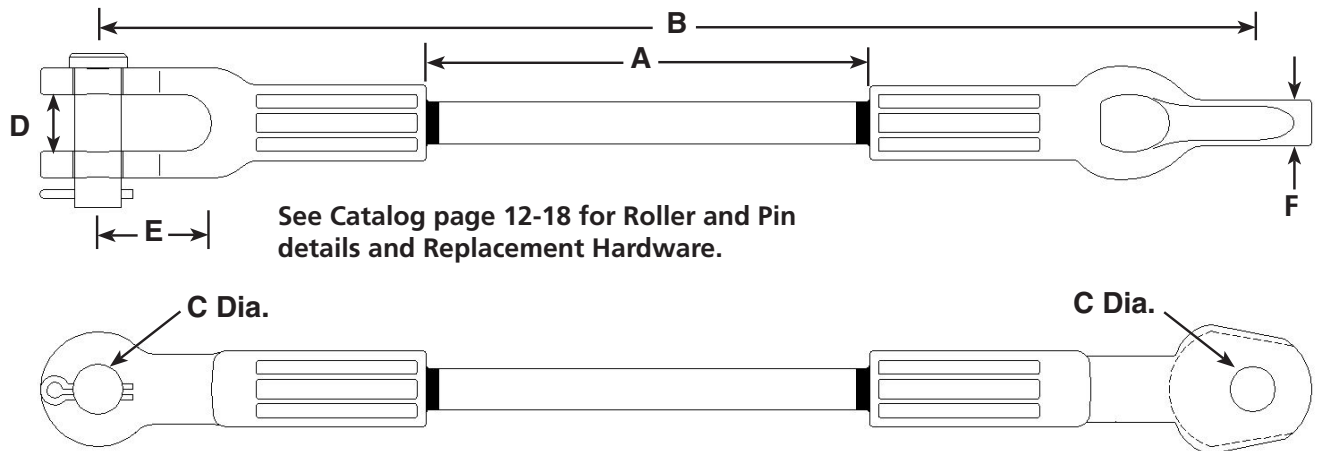
Catalog Number	Length A	Length B	Weight (Each)
<b>30,000 lbs. (13,608 kg) Minimum Ultimate Strength*</b>			
GS30012CC1	12" (30.5 cm)	24" (61.0 cm)	6.1 lbs. (2.8 kg)
GS30018CC1	18" (45.8 cm)	30" (76.2 cm)	6.3 lbs. (2.9 kg)
GS30024CC1	24" (61.0 cm)	36" (91.4 cm)	6.5 lbs. (2.9 kg)
GS30030CC1	30" (76.2 cm)	42" (106.7 cm)	6.7 lbs. (3.0 kg)
GS30036CC1	36" (91.4 cm)	48" (122.0 cm)	6.9 lbs. (3.1 kg)
GS30042CC1	42" (106.7 cm)	54" (137.2 cm)	7.1 lbs. (3.2 kg)
GS30048CC1	48" (121.9 cm)	60" (152.4 cm)	7.3 lbs. (3.3 kg)
GS30054CC1	54" (137.2 cm)	66" (167.6 cm)	7.5 lbs. (3.4 kg)
GS30060CC1	60" (152.4 cm)	72" (182.9 cm)	7.7 lbs. (3.5 kg)
GS30072CC1	72" (182.9 cm)	84" (213.4 cm)	8.0 lbs. (3.6 kg)
GS30078CC1	78" (198.1 cm)	90" (228.6 cm)	8.2 lbs. (3.7 kg)
GS30084CC1	84" (213.4 cm)	96" (243.8 cm)	8.4 lbs. (3.8 kg)
GS30090CC1	90" (228.6 cm)	102" (259.1 cm)	8.6 lbs. (3.9 kg)
GS30096CC1	96" (243.8 cm)	108" (274.3 cm)	8.8 lbs. (4.0 kg)
GS30108CC1	108" (274.3 cm)	120" (304.8 cm)	9.2 lbs. (4.2 kg)
GS30120CC1	120" (304.8 cm)	132" (335.3 cm)	9.6 lbs. (4.4 kg)
GS30144CC1	144" (365.8 cm)	156" (396.2 cm)	10.3 lbs. (4.7 kg)

**\*Recommended maximum working load is 50% of minimum ultimate ratings listed.**

GS—CC1 series has 1 Roller as detailed in drawing  
 For 2 Rollers, replace "CC1" in number with "CC2"  
 For no Rollers, replace "CC1" in number with "CC"  
 Add "SC" suffix to the end of the catalog number to denote Silicone Coated Rod



## 30,000 lb. SERIES Guy Strains - Clevis / Thimble-Eye



See Note For Roller Configurations

C Dimension is 3/4" for 30,000 lbs. series

D Dimension is 1" for 30,000 lbs. series

E Dimension is 2.04" for 30,000 lbs. series

F Dimension is 0.83" for 30,000 lbs. series

3/4" dia. Fiberglass rod.

Castings are hot-dip galvanized ductile iron.

Catalog Number	Length A	Length B	Weight (Each)
<b>30,000 lbs. (13,608 kg) Minimum Ultimate Strength*</b>			
GS30012CP	12" (30.5 cm)	25" (63.5 cm)	5.4 lbs. (2.4 kg)
GS30018CP	18" (45.8 cm)	31" (78.7 cm)	5.6 lbs. (2.5 kg)
GS30024CP	24" (61.0 cm)	37" (94.0 cm)	5.8 lbs. (2.6 kg)
GS30030CP	30" (76.2 cm)	43" (109.2 cm)	6.0 lbs. (2.7 kg)
GS30036CP	36" (91.4 cm)	49" (124.5 cm)	6.2 lbs. (2.8 kg)
GS30042CP	42" (106.7 cm)	55" (139.7 cm)	6.4 lbs. (2.9 kg)
GS30048CP	48" (121.9 cm)	61" (154.9 cm)	6.6 lbs. (3.0 kg)
GS30054CP	54" (137.2 cm)	67" (170.2 cm)	6.7 lbs. (3.0 kg)
GS30060CP	60" (152.4 cm)	73" (185.4 cm)	6.9 lbs. (3.1 kg)
GS30072CP	72" (182.9 cm)	85" (215.9 cm)	7.3 lbs. (3.3 kg)
GS30078CP	78" (198.1 cm)	91" (231.1 cm)	7.5 lbs. (3.4 kg)
GS30084CP	84" (213.4 cm)	97" (246.4 cm)	7.7 lbs. (3.5 kg)
GS30090CP	90" (228.6 cm)	103" (261.6 cm)	7.9 lbs. (3.6 kg)
GS30096CP	96" (243.8 cm)	109" (276.9 cm)	8.1 lbs. (3.7 kg)
GS30108CP	108" (274.3 cm)	121" (307.3 cm)	8.5 lbs. (3.9 kg)
GS30120CP	120" (304.8 cm)	133" (337.8 cm)	8.8 lbs. (4.0 kg)
GS30144CP	144" (365.8 cm)	157" (398.8 cm)	9.6 lbs. (4.4 kg)

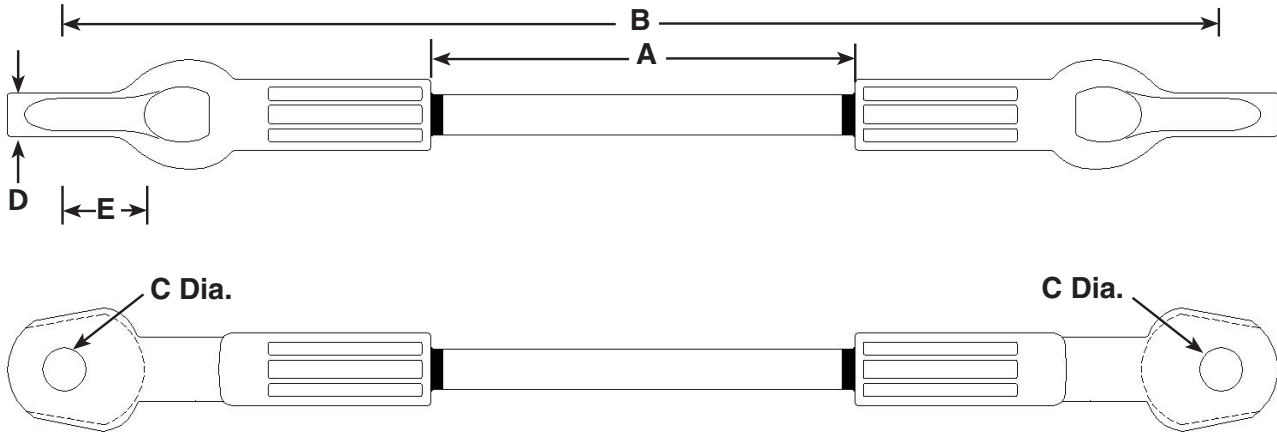
**\*Recommended maximum working load is 50% of minimum ultimate ratings listed.**

GS—CP series has No Roller as detailed in drawing

For 1 Roller, replace "CP" in number with "CP1"

Add "SC" suffix to the end of the catalog number to denote Silicone Coated Rod

## 30,000 lb. SERIES Guy Strains - Thimble-Eye / Thimble-Eye



C Dimension is 3/4" for 30,000 lbs. series  
 D Dimension is 0.83" for 30,000 lbs. series  
 E Dimension is 1.44" for 30,000 lbs. series

3/4" dia. Fiberglass rod.  
 Castings are hot-dip galvanized ductile iron.

Catalog Number	Length A	Length B	Weight (Each)
<b>30,000 lbs. (13,608 kg) Minimum Ultimate Strength*</b>			
GS30012PP	12" (30.5 cm)	26" (66.0 cm)	5.4 lbs. (2.4 kg)
GS30018PP	18" (45.8 cm)	32" (81.3 cm)	5.6 lbs. (2.5 kg)
GS30024PP	24" (61.0 cm)	38" (96.5 cm)	5.8 lbs. (2.6 kg)
GS30030PP	30" (76.2 cm)	44" (111.8 cm)	6.0 lbs. (2.7 kg)
GS30036PP	36" (91.4 cm)	50" (127.0 cm)	6.2 lbs. (2.8 kg)
GS30042PP	42" (106.7 cm)	56" (142.2 cm)	6.4 lbs. (2.9 kg)
GS30048PP	48" (121.9 cm)	62" (157.5 cm)	6.6 lbs. (3.0 kg)
GS30054PP	54" (137.2 cm)	68" (172.7 cm)	6.7 lbs. (3.0 kg)
GS30060PP	60" (152.4 cm)	74" (188.0 cm)	6.9 lbs. (3.1 kg)
GS30072PP	72" (182.9 cm)	86" (218.4 cm)	7.3 lbs. (3.3 kg)
GS30078PP	78" (198.1 cm)	92" (233.7 cm)	7.5 lbs. (3.4 kg)
GS30084PP	84" (213.4 cm)	98" (248.9 cm)	7.7 lbs. (3.5 kg)
GS30090PP	90" (228.6 cm)	104" (264.2 cm)	7.9 lbs. (3.6 kg)
GS30096PP	96" (243.8 cm)	110" (279.4 cm)	8.1 lbs. (3.7 kg)
GS30108PP	108" (274.3 cm)	122" (309.9 cm)	8.5 lbs. (3.9 kg)
GS30120PP	120" (304.8 cm)	134" (340.4 cm)	8.8 lbs. (4.0 kg)
GS30144PP	144" (365.8 cm)	158" (401.3 cm)	9.6 lbs. (4.4 kg)

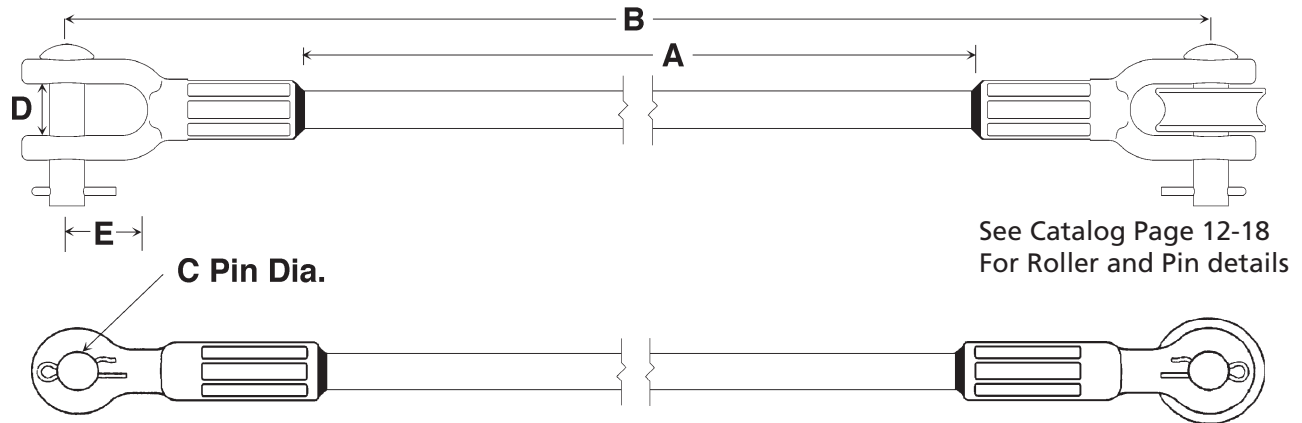
**\*Recommended maximum working load is 50% of minimum ultimate ratings listed.**

*Add "SC" suffix to the end of the catalog number to denote Silicone Coated Rod*





# 36,000 lb. SERIES Guy Strains - Clevis / Clevis



See Note For Roller Configurations

- C Dimension is 7/8" (22 mm) for 36,000 lbs. series
- D Dimension is 1" (25 mm) for 36,000 lbs. series
- E Dimension is 2.12" (53 mm) for 36,000 lbs. series

7/8" dia. Fiberglass rod.  
Castings are hot-dip galvanized ductile iron.

Catalog Number	Length A	Length B	Weight (Each)
<b>36,000 lbs. (16,200 kg) Minimum Ultimate Strength*</b>			
GS36018CC1	18" (45.7 cm)	33" (83.8 cm)	8.8 lbs. (4.0 kg)
GS36036CC1	36" (91.4 cm)	51" (129.5 cm)	9.6 lbs. (4.4 kg)
GS36054CC1	54" (137.2 cm)	69" (175.3 cm)	10.3 lbs. (4.7 kg)
GS36060CC1	60" (152.4 cm)	75" (190.5 cm)	10.5 lbs. (4.8 kg)
GS36078CC1	78" (198.1 cm)	93" (236.2 cm)	11.2 lbs. (5.1 kg)
GS36096CC1	96" (243.8 cm)	111" (281.9 cm)	12.0 lbs. (5.4 kg)
GS36120CC1	120" (304.8 cm)	135" (342.9 cm)	12.9 lbs. (5.8 kg)
GS36144CC1	144" (365.8 cm)	159" (403.9 cm)	13.8 lbs. (6.3 kg)

**\*Recommended maximum working load is 50% of minimum ultimate ratings listed.**

GS—CC1 series has 1 Roller as detailed in drawing

For 2 Rollers, replace "CC1" in number with "CC2"

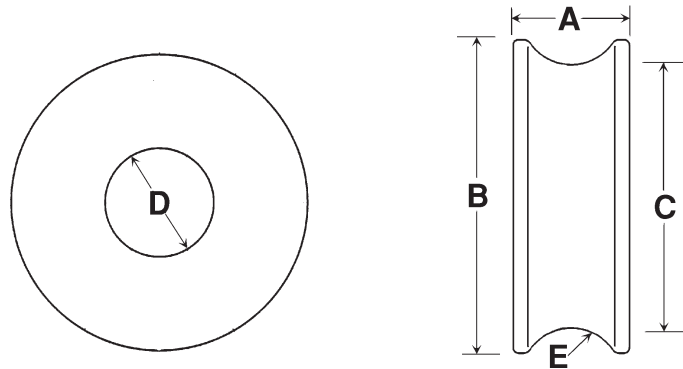
For no Rollers, replace "CC1" in number with "CC"

Consult factory for additional lengths.

Add "SC" suffix to the end of the catalog number to denote Silicone Coated Rod

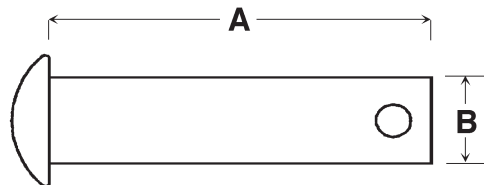
# Guy Strain Replacement Hardware

## Guy Strain Roller



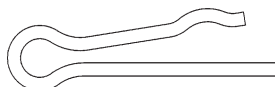
Guy Strain Assembly	Catalog Number	Width A	Dia. B	Dia. C	Dia. D	Radius E
16,000 lbs.	PSP6531907P	0.76" (19 mm)	2.0" (51 mm)	1.6" (41 mm)	0.69" (18 mm)	0.31" (8 mm)
21,000 lbs.	PSP6531907P	0.76" (19 mm)	2.0" (51 mm)	1.6" (41 mm)	0.69" (18 mm)	0.31" (8 mm)
30,000 lbs.	2743104001P	0.81" (21 mm)	2.4" (61 mm)	1.9" (48 mm)	0.81" (21 mm)	0.31" (8 mm)
36,000 lbs.	2748214001P	0.86" (22 mm)	2.4" (61 mm)	2.2" (56 mm)	0.94" (24 mm)	1.05" (27 mm)

## Guy Strain Clevis Pin



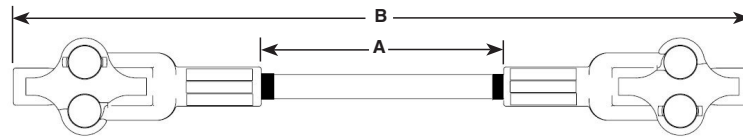
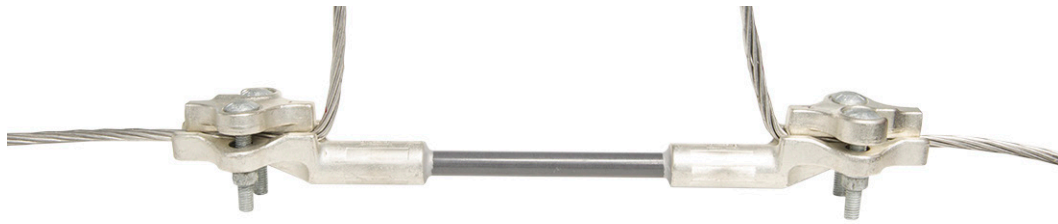
Guy Strain Assembly	Catalog Number	Length A	Dia. B
16,000 lbs.	2743064001P	2.5" (64 mm)	0.61" (15 mm)
21,000 lbs.	2743064001P	2.5" (64 mm)	0.61" (15 mm)
30,000 lbs.	2743134001P	2.5" (64 mm)	0.75" (19 mm)
36,000 lbs.	1045040000P	2.6" (66 mm)	0.88" (22 mm)

## Cotter Key



Guy Strain Assembly	Catalog Number
16,000 lbs.	861664002P
21,000 lbs.	861664002P
30,000 lbs.	861664002P
36,000 lbs.	1046810000

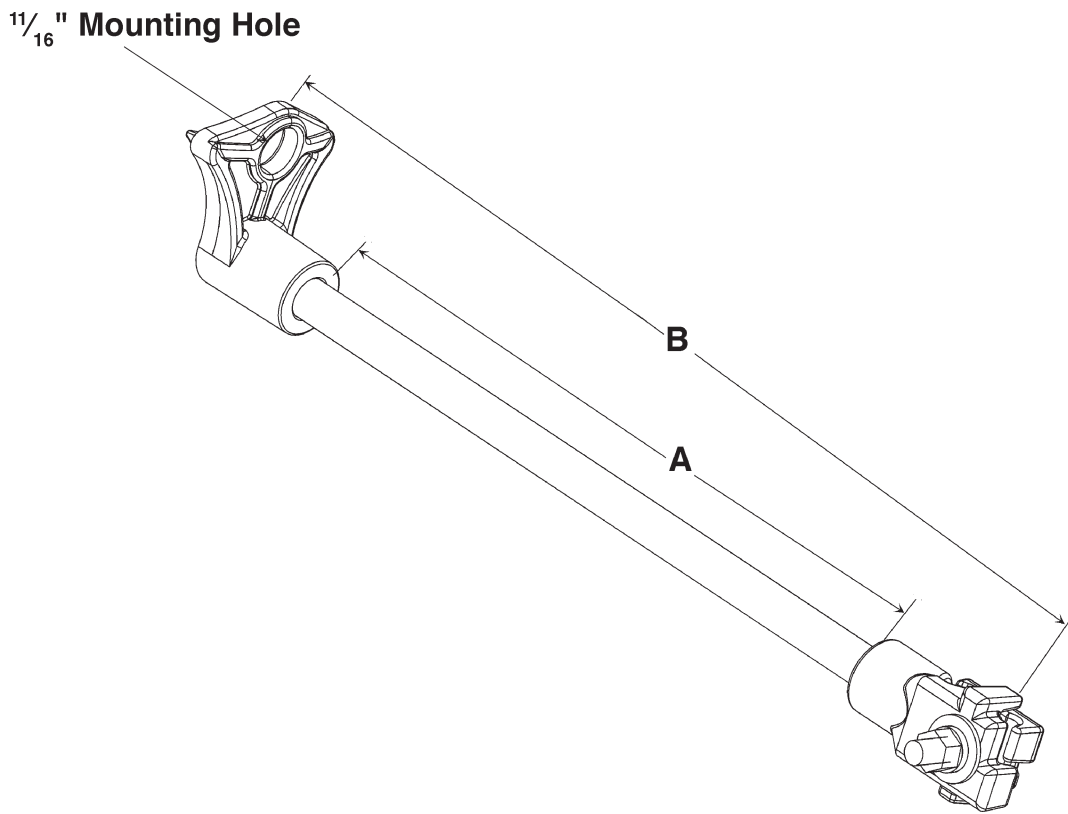
## Secondary Connector (Sectionalizer)



Catalog Number	Length A	Length B	Conductor Size		Weight (Each)	Minimum Ultimate (Crimp)	End Fittings	Fiberglass Rod	Voltage Rating
			Minimum	Maximum					
<b>Ultraviolet-resistant Fiberglass rod</b>									
PSC6531895	6" (15.2 cm)	18.8" (47.8 cm)	0.16" (0.4 cm)	0.57" (1.4 cm)	4.0 lbs. (1.8 kg)	6000 lbs.	HDG Ductile Iron	Veiled	600V
PSC6531955	6" (15.2 cm)	18.0" (45.7 cm)	0.16" (0.4 cm)	0.57" (1.4 cm)	1.9 lbs. (0.9 kg)	6000 lbs.	Tin Coated Aluminum	Veiled	600V
PSC6532012	6" (15.2 cm)	18.8" (47.8 cm)	0.16" (0.4 cm)	0.57" (1.4 cm)	4.0 lbs. (1.8 kg)	6000 lbs.	HDG Ductile Iron	Silicone Coated	1200V
PSC6532013	6" (15.2 cm)	18.0" (45.7 cm)	0.16" (0.4 cm)	0.57" (1.4 cm)	1.9 lbs. (0.9 kg)	6000 lbs.	Tin Coated Aluminum	Silicone Coated	1200V

Used to section (or "split") a secondary conductor.  
 Captive hardware included.  
 Recommended hardware torque: 20 to 25 ft.-lbs.  
 Secondary conductor slip rating dependant on wire size and material.  
 Meant for use on secondary systems of 600V or less.

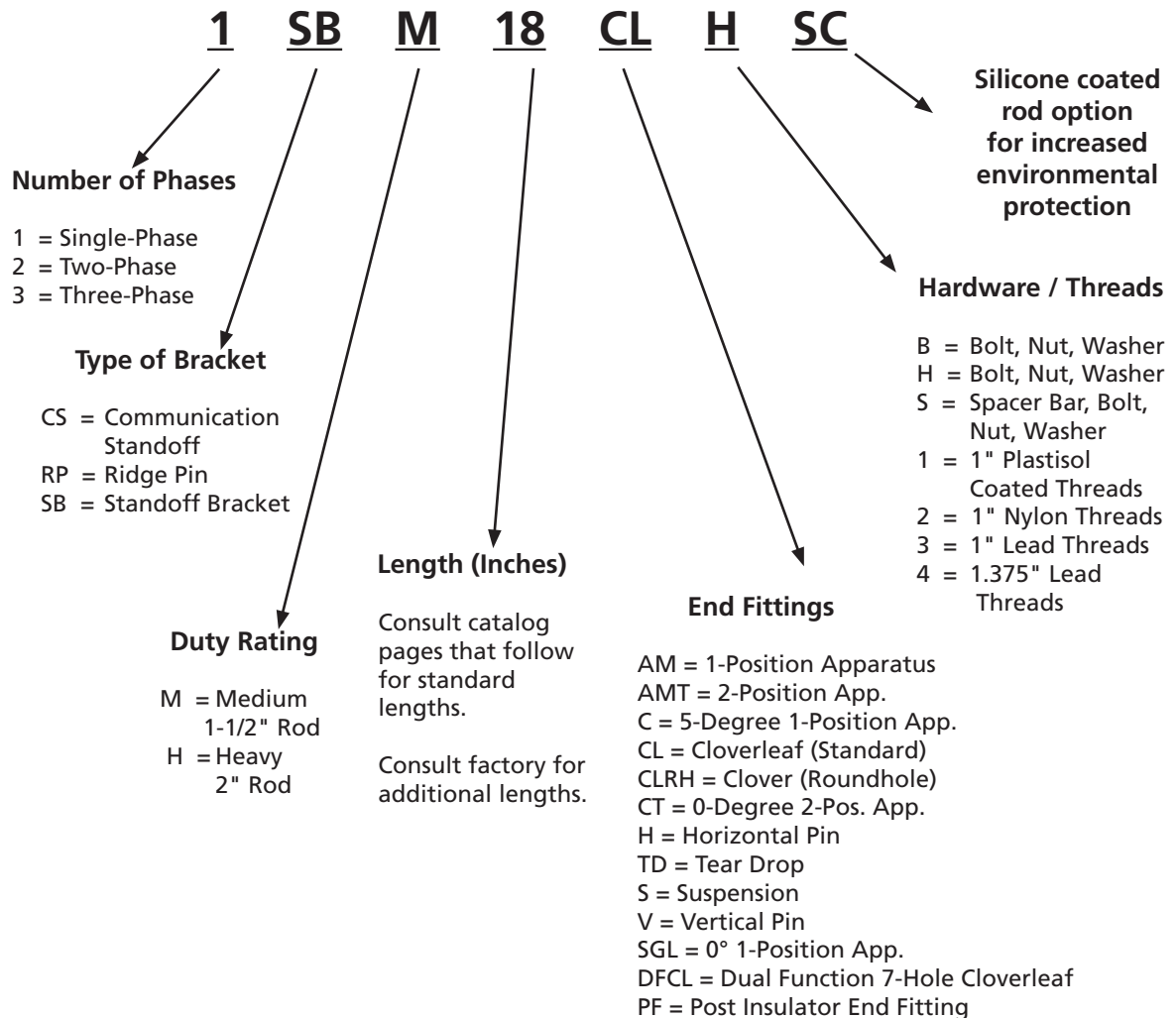
# Downlead Bracket



Base and Cable Clamp are hot-dip-galvanized ductile iron.

Catalog Number	Length A	Conductor Size		Weight (Each)	
		Length B	Minimum		Maximum
<b>Medium Duty 5/8" (16 mm) Dia. Rod</b>					
DLM12BC	12" (30.5 cm)	16.5" (41.9 cm)	0.128" (3.25 mm)	0.398" (10.11 mm)	1.89 lbs. (.85 kg)
DLM18BC	18" (45.7 cm)	22.5" (57.2 cm)	0.128" (3.25 mm)	0.398" (10.11 mm)	2.02 lbs. (.91 kg)
DLM24BC	24" (61.0 cm)	28.5" (72.5 cm)	0.128" (3.25 mm)	0.398" (10.11 mm)	2.15 lbs. (.97 kg)

# Fiberglass Bracket Assemblies Part Number System

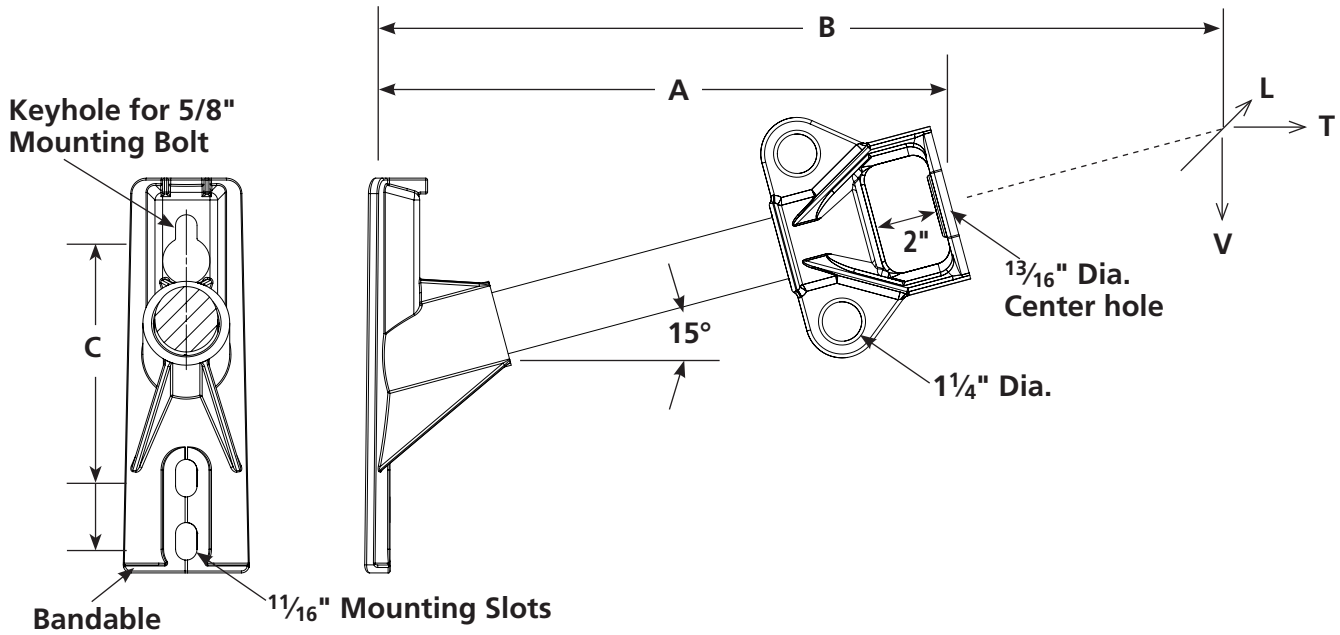


Extra Heavy Duty Brackets (2½" Rod) also available; listed on catalog pages 12-34 and 12-35.

Light Duty Apparatus Bracket (1¼" Rod) also available; listed on catalog page 12-52.

Corner Brackets also available; listed on catalog page 12-36 and 12-37.

# Single-Phase Horizontal Line Post Insulator Bracket (15°)



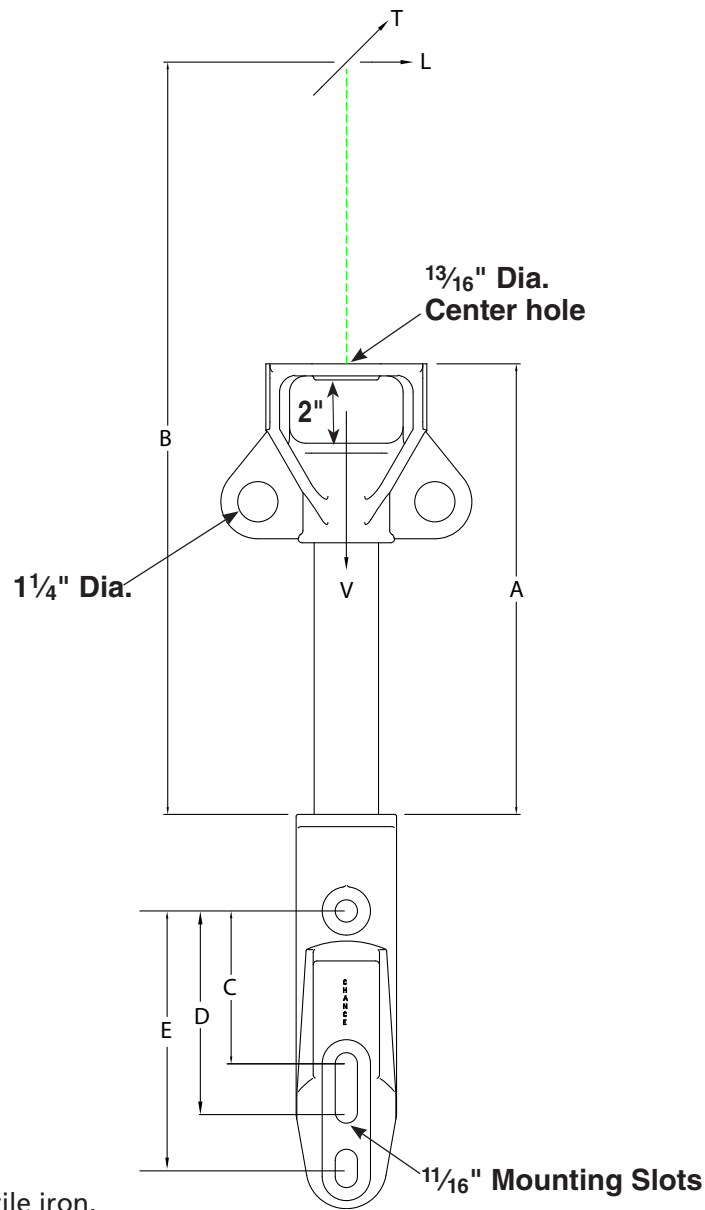
End fitting is aluminum alloy.  
Base is hot-dip galvanized ductile iron.  
C Dimension is 8" & 10"

Catalog Number	Length A	Length B	Minimum Ultimate*			Weight (Each)
			Vertical V	Longitudinal L	Transverse T	
<b>Heavy Duty 2" Diameter Fiberglass Rod</b>						
1SBH11PF	11" (28.0 cm)	20.4" (51.8 cm)	2200 lb. (998 kg)	1950 lb. (885 kg)	2500 lb. (1134 kg)	12.3 lb. (5.6 kg)
1SBH12PF	12" (30.5 cm)	21.4" (54.4 cm)	2150 lb. (975 kg)	1900 lb. (862 kg)	2500 lb. (1134 kg)	12.5 lb. (5.7 kg)
1SBH14PF	14" (35.6 cm)	23.4" (59.4 cm)	2100 lb. (953 kg)	1850 lb. (839 kg)	2500 lb. (1134 kg)	12.9 lb. (5.9 kg)
1SBH17PF	17" (43.2 cm)	26.4" (67.1 cm)	1800 lb. (816 kg)	1600 lb. (726 kg)	2500 lb. (1134 kg)	13.6 lb. (6.2 kg)
1SBH18PF	18" (45.7 cm)	27.4" (69.6 cm)	1750 lb. (794 kg)	1550 lb. (703 kg)	2500 lb. (1134 kg)	13.9 lb. (6.3 kg)
1SBH21PF	21" (53.3 cm)	30.4" (77.2 cm)	1550 lb. (703 kg)	1350 lb. (612 kg)	2500 lb. (1134 kg)	14.5 lb. (6.6 kg)
1SBH23PF	23" (58.4 cm)	32.4" (82.3 cm)	1500 lb. (680 kg)	1250 lb. (567 kg)	2500 lb. (1134 kg)	15.0 lb. (6.8 kg)
1SBH29PF	29" (73.7 cm)	38.4" (97.5 cm)	1300 lb. (590 kg)	1000 lb. (454 kg)	2500 lb. (1134 kg)	16.3 lb. (7.4 kg)
1SBH31PF	31" (78.7 cm)	40.4" (102.6 cm)	1200 lb. (544 kg)	900 lb. (408 kg)	2500 lb. (1134 kg)	16.8 lb. (7.6 kg)
1SBH35PF	35" (89.0 cm)	44.4" (112.8 cm)	1100 lb. (499 kg)	750 lb. (340 kg)	2500 lb. (1134 kg)	17.7 lb. (8.0 kg)

**\*Recommended maximum working load is 50% of minimum ultimate ratings listed.**  
Consult factory for additional lengths.  
Add "SC" suffix to the end of the catalog number to denote Silicone Coated rod



# Single-Phase Vertical Line Post Insulator Bracket

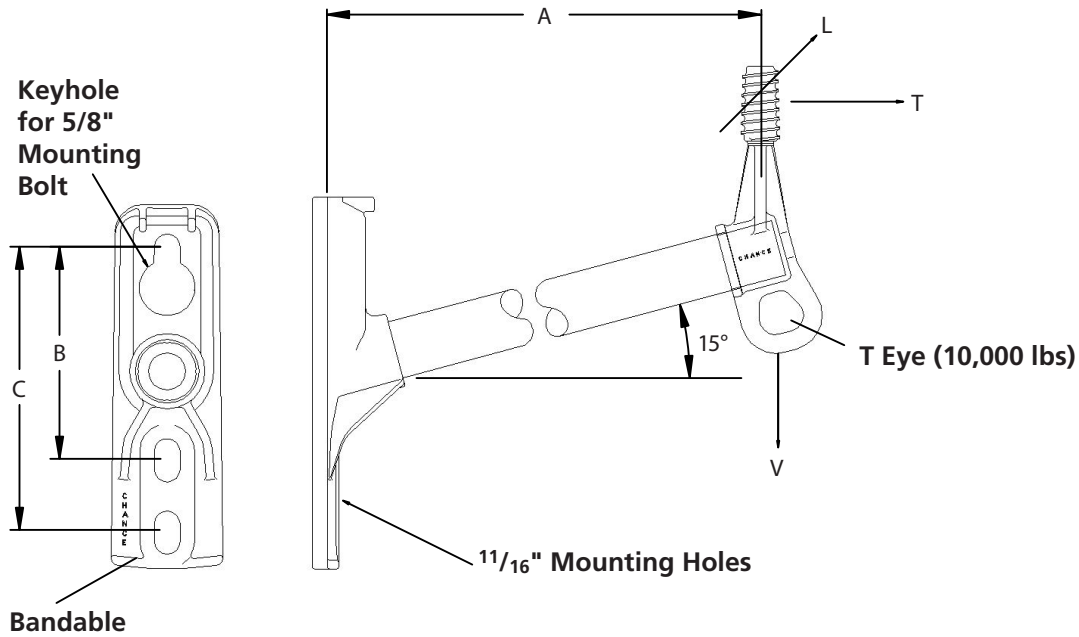


C Dimension is 5"  
 D Dimension is 6"  
 E Dimension is 8"  
 Base is hot-dip galvanized ductile iron.  
 End fitting is aluminum alloy.

Catalog Number	Length A	Length B	Minimum Ultimate*			Weight (Each)
			Vertical V	Longitudinal L	Transverse T	
<b>Heavy Duty 2" Diameter Fiberglass Rod</b>						
RPH10PF	10" (25.4 cm)	19.4" (49.2 cm)	5000 lb. (2268 kg)	2000 lb. (907 kg)	2000 lb. (907 kg)	10.3 lb. (4.7 kg)
RPH14PF	14" (35.6 cm)	23.4" (59.4 cm)	5000 lb. (2268 kg)	2000 lb. (907 kg)	2000 lb. (907 kg)	11.2 lb. (5.1 kg)
RPH17PF	17" (43.2 cm)	26.4" (67.0 cm)	5000 lb. (2268 kg)	1500 lb. (680 kg)	1500 lb. (680 kg)	11.0 lb. (5.0 kg)
RPH18PF	18" (45.7 cm)	27.4" (69.6 cm)	5000 lb. (2268 kg)	1500 lb. (680 kg)	1500 lb. (680 kg)	12.1 lb. (5.5 kg)
RPH24PF	24" (61.0 cm)	33.4" (84.8 cm)	5000 lb. (2268 kg)	1500 lb. (680 kg)	1500 lb. (680 kg)	13.4 lb. (6.1 kg)

**\*Recommended maximum working load is 50% of minimum ultimate ratings listed.**  
 Consult factory for additional lengths.  
 Add "SC" suffix to the end of the catalog number to denote Silicone Coated rod

## Single-Phase Vertical Pin Standoff Bracket (15°)



B Dimension is 6" for 1SBM series and 8" for 1SBH series  
 C Dimension is 8" for 1SBM series and 10" for 1SBH series

Base and End Fitting are hot-dip-galvanized ductile iron.

Catalog Number	Length A	Minimum Ultimate*			Weight (Each)
		Vertical V	Longitudinal L	Transverse T	
<b>Medium Duty 1½" (38 mm) Dia. Fiberglass Rod</b>					
1SBM12V1	12" (30.5 cm)	1800 lbs. (816 kg)	1400 lbs. (635 kg)	2000 lbs. (907 kg)	6.8 lbs. (3.1 kg)
1SBM15V1	15" (38.1 cm)	1500 lbs. (680 kg)	1100 lbs. (499 kg)	2000 lbs. (907 kg)	7.2 lbs. (3.2 kg)
1SBM18V1	18" (45.7 cm)	1200 lbs. (544 kg)	950 lbs. (431 kg)	2000 lbs. (907 kg)	7.5 lbs. (3.4 kg)
1SBM21V1	21" (53.3 cm)	1000 lbs. (453 kg)	800 lbs. (363 kg)	2000 lbs. (907 kg)	7.9 lbs. (3.6 kg)
1SBM24V1	24" (61.0 cm)	900 lbs. (408 kg)	700 lbs. (318 kg)	2000 lbs. (907 kg)	8.3 lbs. (3.7 kg)
<b>Heavy Duty 2" (51 mm) Dia. Fiberglass Rod</b>					
1SBH12V1	12" (30.5 cm)	2550 lbs. (1156 kg)	2000 lbs. (907 kg)	2500 lbs. (1134 kg)	10.0 lbs. (4.5 kg)
1SBH18V1	18" (45.7 cm)	2250 lbs. (1020 kg)	1900 lbs. (862 kg)	2500 lbs. (1134 kg)	11.3 lbs. (5.1 kg)
1SBH20V1	20" (50.8 cm)	2250 lbs. (1020 kg)	1900 lbs. (862 kg)	2500 lbs. (1134 kg)	11.8 lbs. (5.3 kg)
1SBH24V1	24" (61.0 cm)	2100 lbs. (953 kg)	1850 lbs. (839 kg)	2500 lbs. (1134 kg)	12.7 lbs. (5.7 kg)
1SBH27V1	27" (68.6 cm)	1950 lbs. (885 kg)	1800 lbs. (816 kg)	2500 lbs. (1134 kg)	13.4 lbs. (6.1 kg)
1SBH30V1	30" (76.2 cm)	1800 lbs. (816 kg)	1750 lbs. (794 kg)	2500 lbs. (1134 kg)	14.0 lbs. (6.3 kg)

\*Recommended maximum working load is 50% of minimum ultimate ratings listed.

**1SB**—V1 series has 1" plastisol coated threads

For 1" Nylon threads, replace the last "1" in number with "2"

For 1" lead threads, replace "V1" in number with "V3"

For 1.375" lead threads, replace "V1" in number with "V4"

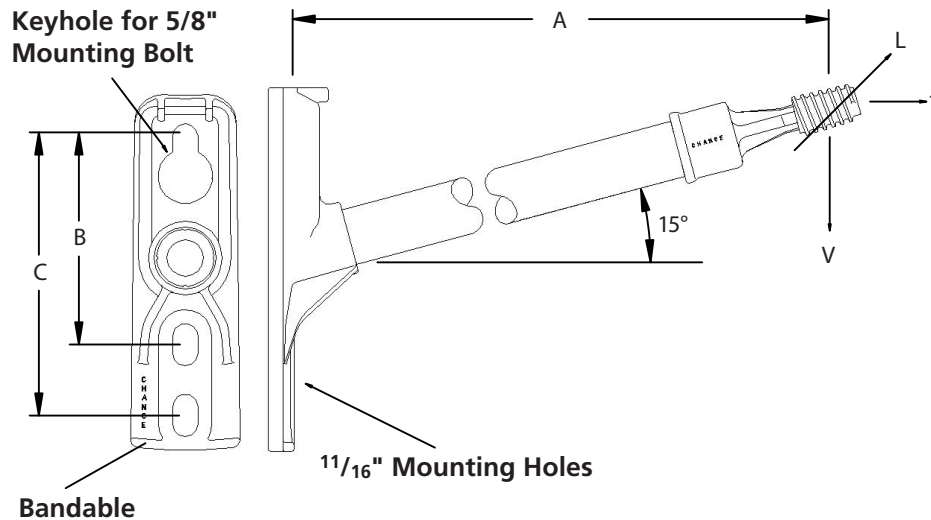
Consult factory for additional lengths.

Add "SC" suffix to the end of the catalog number to denote Silicone Coated rod





# Single-Phase Horizontal Pin Standoff Bracket (15°)



B Dimension is 6" for 1SBM series and 8" for 1SBH series  
 C Dimension is 8" for 1SBM series and 10" for 1SBH series

Base and End Fitting are hot-dip-galvanized ductile iron.

Catalog Number	Length A	Minimum Ultimate*			Weight (Each)
		Vertical V	Longitudinal L	Transverse T	
<b>Medium Duty 1½" (38 mm) Dia. Fiberglass Rod</b>					
1SBM12H1	12" (30.5 cm)	1850 lbs. (839 kg)	1800 lbs. (816 kg)	1500 lbs. (680 kg)	5.2 lbs. (2.3 kg)
1SBM15H1	15" (38.1 cm)	1500 lbs. (680 kg)	1450 lbs. (658 kg)	1500 lbs. (680 kg)	5.6 lbs. (2.5 kg)
1SBM16H1	16" (40.6 cm)	1400 lbs. (635 kg)	1350 lbs. (612 kg)	1500 lbs. (680 kg)	5.7 lbs. (2.6 kg)
1SBM18H1	18" (45.7 cm)	1200 lbs. (544 kg)	1200 lbs. (544 kg)	1500 lbs. (680 kg)	5.9 lbs. (2.7 kg)
1SBM20H1	20" (50.8 cm)	1100 lbs. (499 kg)	1100 lbs. (499 kg)	1500 lbs. (680 kg)	6.2 lbs. (2.8 kg)
1SBM24H1	24" (61.0 cm)	1050 lbs. (476 kg)	900 lbs. (408 kg)	1500 lbs. (680 kg)	6.7 lbs. (3.0 kg)
<b>Heavy Duty 2" (51 mm) Dia. Fiberglass Rod</b>					
1SBH18H1	18" (45.7 cm)	2300 lbs. (1043 kg)	1400 lbs. (635 kg)	1500 lbs. (680 kg)	8.4 lbs. (3.8 kg)
1SBH20H1	20" (50.8 cm)	2100 lbs. (953 kg)	1350 lbs. (612 kg)	1500 lbs. (680 kg)	8.9 lbs. (4.0 kg)
1SBH24H1	24" (61.0 cm)	1750 lbs. (794 kg)	1200 lbs. (544 kg)	1500 lbs. (680 kg)	9.8 lbs. (4.4 kg)
1SBH27H1	27" (68.6 cm)	1550 lbs. (703 kg)	1050 lbs. (476 kg)	1500 lbs. (680 kg)	10.4 lbs. (4.7 kg)
1SBH30H1	30" (76.2 cm)	1400 lbs. (635 kg)	950 lbs. (431 kg)	1500 lbs. (680 kg)	11.1 lbs. (5.0 kg)

\*Recommended maximum working load is 50% of minimum ultimate ratings listed.

**1SB**—H1 series has 1" plastisol coated threads

For 1" Nylon threads, replace the last "1" in number with "2"

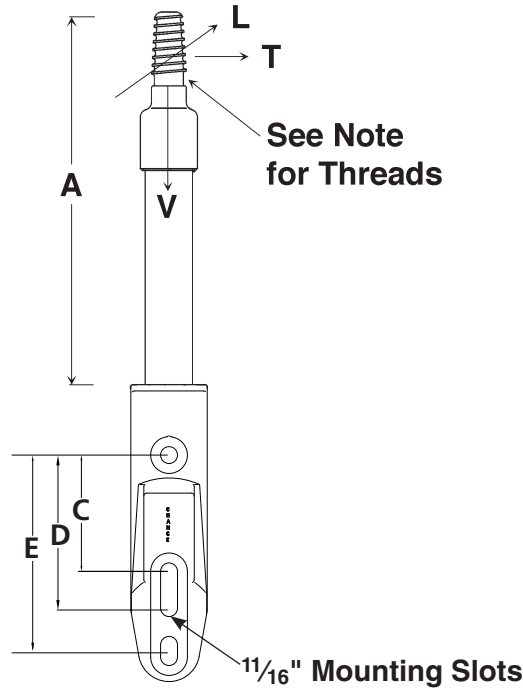
For 1" lead threads, replace "H1" in number with "H3"

For 1.375" lead threads, replace "H1" in number with "H4"

Consult factory for additional lengths.

Add "SC" suffix to the end of the catalog number to denote Silicone Coated rod

## Ridge Pin (Pole Top Pin)



C Dimension is 5"  
 D Dimension is 6"  
 E Dimension is 8"  
 Base and End Fitting  
 are hot-dip-galvanized  
 ductile iron.

Catalog Number	Length A	Minimum Ultimate*			Weight (Each)
		Vertical V	Longitudinal L	Transverse T	
<b>Medium Duty 1½" (38 mm) Dia. Fiberglass Rod</b>					
RPM121	12" (30.5 cm)	2500 lbs. (1134 kg)	1700 lbs. (771 kg)	1700 lbs. (771 kg)	5.4 lbs. (2.4 kg)
RPM131	13" (33.0 cm)	2500 lbs. (1134 kg)	1600 lbs. (726 kg)	1600 lbs. (726 kg)	5.5 lbs. (2.5 kg)
RPM151	15" (38.1 cm)	2500 lbs. (1134 kg)	1500 lbs. (680 kg)	1500 lbs. (680 kg)	5.8 lbs. (2.6 kg)
RPM181	18" (45.7 cm)	2500 lbs. (1134 kg)	1400 lbs. (635 kg)	1400 lbs. (635 kg)	5.9 lbs. (2.7 kg)
RPM211	21" (53.3 cm)	2500 lbs. (1134 kg)	1200 lbs. (544 kg)	1200 lbs. (544 kg)	6.3 lbs. (2.9 kg)
RPM241	24" (61.0 cm)	2500 lbs. (1134 kg)	1100 lbs. (499 kg)	1100 lbs. (499 kg)	8.8 lbs. (4.0 kg)
<b>Heavy Duty 2" (51 mm) Dia. Fiberglass Rod</b>					
RPH121	12" (30.5 cm)	2500 lbs. (1134 kg)	2200 lbs. (998 kg)	2200 lbs. (998 kg)	9.8 lbs. (4.4 kg)
RPH181	18" (45.7 cm)	2500 lbs. (1134 kg)	2150 lbs. (975 kg)	2150 lbs. (975 kg)	10.5 lbs. (4.7 kg)
RPH211	21" (53.3 cm)	2500 lbs. (1134 kg)	2000 lbs. (907 kg)	2000 lbs. (907 kg)	11.0 lbs. (4.9 kg)
RPH241	24" (61.0 cm)	2500 lbs. (1134 kg)	1750 lbs. (794 kg)	1750 lbs. (794 kg)	11.1 lbs. (5.0 kg)
RPH271	27" (68.6 cm)	2500 lbs. (1134 kg)	1500 lbs. (680 kg)	1500 lbs. (680 kg)	12.3 lbs. (5.5 kg)
RPH301	30" (76.2 cm)	2500 lbs. (1134 kg)	1300 lbs. (590 kg)	1300 lbs. (590 kg)	13.9 lbs. (6.3 kg)
RPH361	36" (91.4 cm)	2500 lbs. (1134 kg)	1100 lbs. (499 kg)	1100 lbs. (499 kg)	14.1 lbs. (6.3 kg)

**\*Recommended maximum working load is 50% of minimum ultimate ratings listed.**

*RP—1 series has 1" plastisol coated threads*

*For 1" Nylon threads, replace the last "1" in number with "2"*

*For 1" lead threads, replace the last "1" in number with "3"*

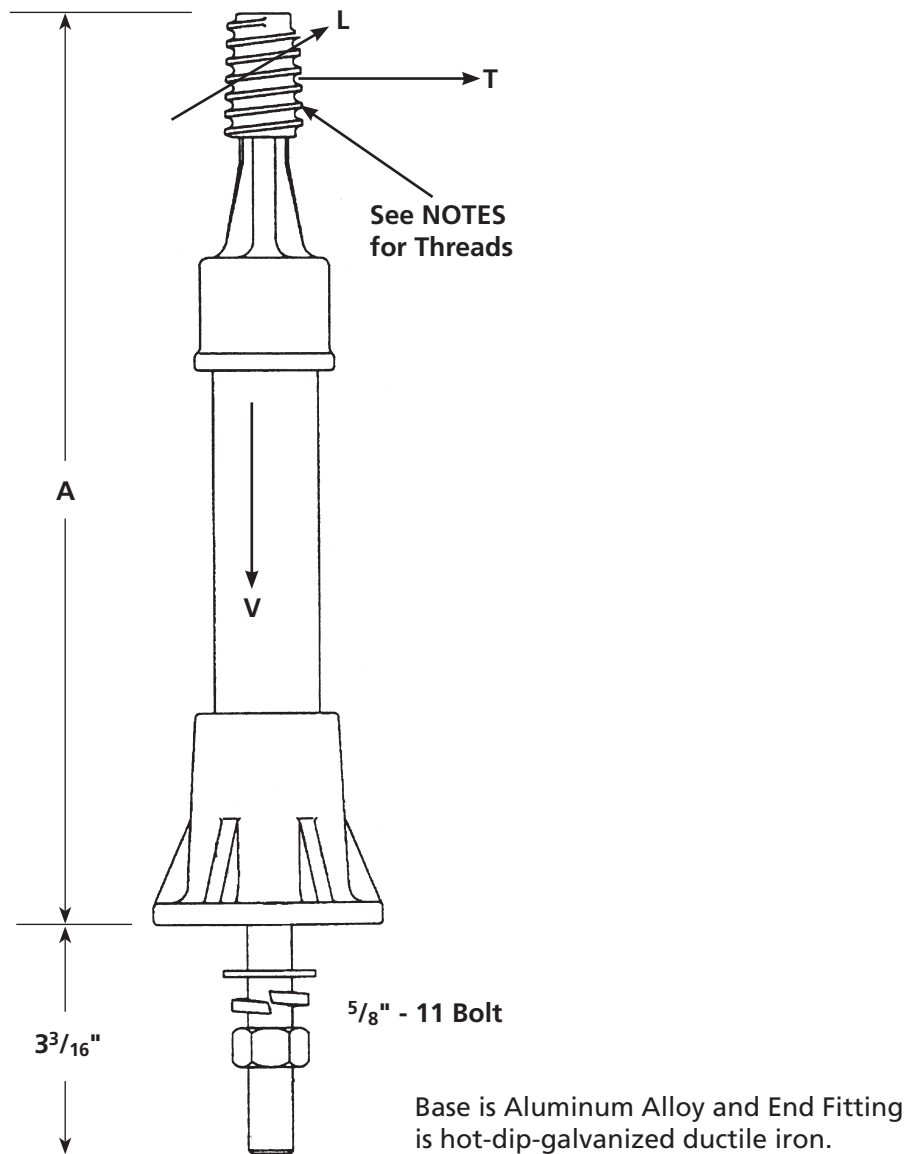
*For 1.375" lead threads, replace the last "1" in number with "4"*

*Consult factory for additional lengths.*

*Add "SC" suffix to the end of the catalog number to denote Silicone Coated rod*



## Fiberglass Crossarm Pin



Catalog Number	Length A	Minimum Ultimate*			Weight (Each)
		Vertical V	Longitudinal L	Transverse T	
<b>Medium Duty 1½" (38 mm) Dia. Fiberglass Rod</b>					
1XPM131	13" (33.0 cm)	2500 lbs. (1134 kg)	1200 lbs. (544 kg)	1200 lbs. (544 kg)	2.4 lbs. (1.1 kg)
1XPM181	18" (45.7 cm)	2500 lbs. (1134 kg)	1000 lbs. (454 kg)	1000 lbs. (454 kg)	2.9 lbs. (1.3 kg)

**\*Recommended maximum working load is 50% of minimum ultimate ratings listed.**

*1XPM—1 series has 1" plastisol coated threads.*

*For 1" Nylon threads, replace the last "1" in number with "2"*

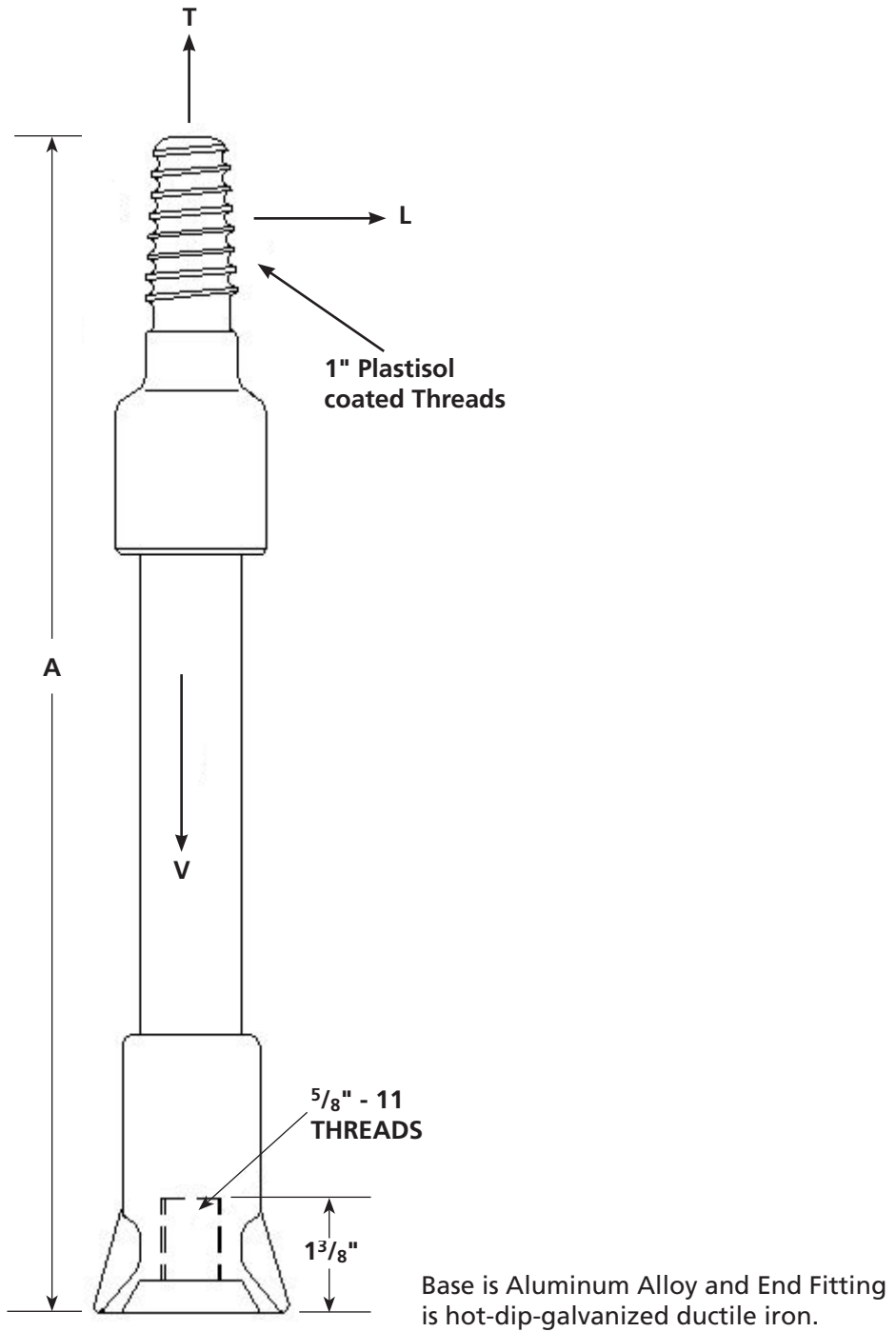
*For 1" Lead threads, replace the last "1" in number with "3".*

*For 1.375" Lead threads, replace the last "1" in number with "4".*

*Add "5" suffix for 5" mounting bolt.*

*Add "SC" suffix to the end of the catalog number to denote Silicone Coated rod*

# Fiberglass Crossarm Pin

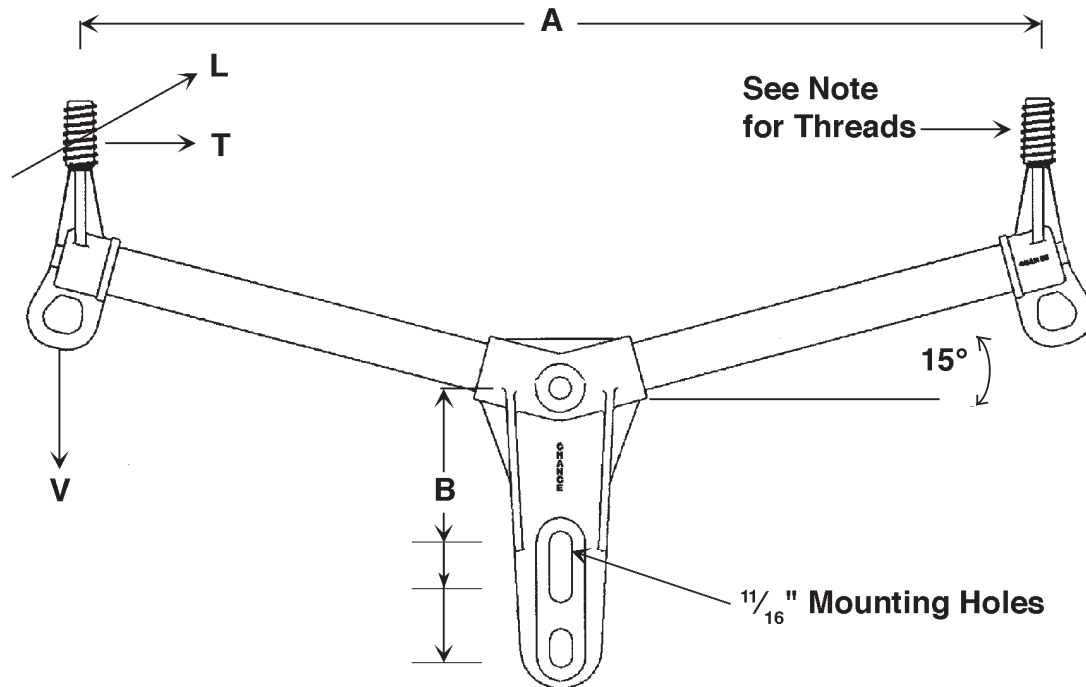


Catalog Number	Length A	Minimum Ultimate*			Weight (Each)
		Vertical V	Longitudinal L	Transverse T	
<b>Light Duty 1 1/4" (32 mm) Dia. Fiberglass Rod</b>					
C6530731	18.1" (46.0 cm)	2000 lbs. (907 kg)	500 lbs. (227 kg)	1000 lbs. (454 kg)	2.2 lbs. (1.0 kg)

\*Recommended maximum working load is 50% of minimum ultimate ratings listed.



## Two-Phase Vertical Pin Standoff Bracket (15°)



**B** Dimension is 5", 6" & 8"

Base and End Fittings are hot-dip-galvanized ductile iron.

Catalog Number	Length A	Minimum Ultimate*			Weight (Each)
		Vertical V	Longitudinal L	Transverse T	
<b>Medium Duty 1½" (38 mm) Dia. Fiberglass Rod</b>					
2SBM30VV1	30" (76.2 cm)	1800 lbs. (816 kg)	1100 lbs. (499 kg)	1500 lbs. (680 kg)	12.3 lbs. (5.5 kg)
2SBM36VV1	36" (91.4 cm)	1500 lbs. (680 kg)	900 lbs. (408 kg)	1500 lbs. (680 kg)	13.0 lbs. (5.9 kg)
2SBM40VV1	40" (101.6 cm)	1350 lbs. (612 kg)	800 lbs. (363 kg)	1500 lbs. (680 kg)	13.5 lbs. (6.1 kg)
2SBM44VV1	44" (111.8 cm)	1225 lbs. (556 kg)	725 lbs. (329 kg)	1500 lbs. (680 kg)	14.0 lbs. (6.3 kg)
2SBM48VV1	48" (121.9 cm)	1125 lbs. (510 kg)	675 lbs. (306 kg)	1500 lbs. (680 kg)	14.5 lbs. (6.5 kg)
<b>Heavy Duty 2" (51 mm) Dia. Fiberglass Rod</b>					
2SBH36VV1	36" (91.4 cm)	2550 lbs. (1157 kg)	2000 lbs. (907 kg)	2500 lbs. (1134 kg)	20.8 lbs. (9.4 kg)
2SBH42VV1	42" (106.7 cm)	2400 lbs. (1089 kg)	1700 lbs. (771 kg)	2500 lbs. (1134 kg)	22.1 lbs. (9.9 kg)
2SBH48VV1	48" (121.9 cm)	2250 lbs. (1021 kg)	1500 lbs. (680 kg)	2500 lbs. (1134 kg)	23.5 lbs. (10.6 kg)
2SBH60VV1	60" (152.4 cm)	1950 lbs. (885 kg)	1200 lbs. (544 kg)	2500 lbs. (1134 kg)	26.1 lbs. (11.7 kg)
2SBH72VV1	72" (182.9 cm)	1750 lbs. (794 kg)	1000 lbs. (454 kg)	2500 lbs. (1134 kg)	28.9 lbs. (13.0 kg)

\*Recommended maximum working load is 50% of minimum ultimate ratings listed.

2SB—VV1 series has 1" plastisol coated threads

For 1" Nylon threads, replace "VV1" in number with "VV2"

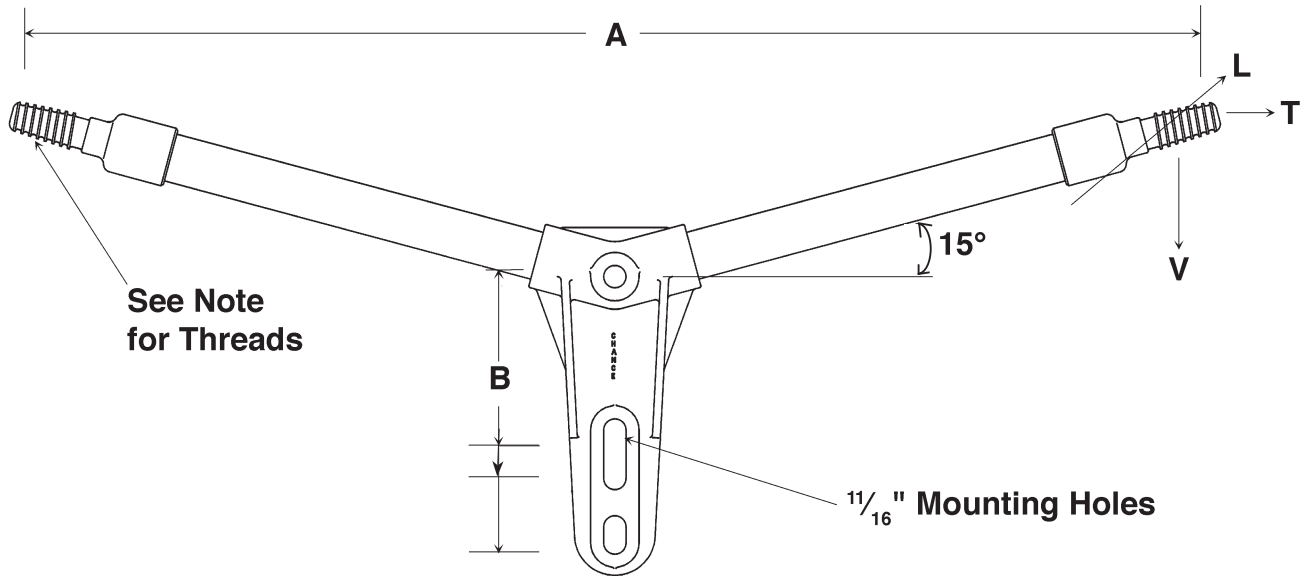
For 1" lead threads, replace "VV1" in number with "VV3"

For 1.375" lead threads, replace "VV1" in number with "VV4"

Consult factory for additional lengths.

Add "SC" suffix to the end of the catalog number to denote Silicone Coated rod

## Two-Phase Horizontal Pin Standoff Bracket (15°)



**B** Dimension is 5", 6" & 8"

Base and End Fittings are hot-dip-galvanized ductile iron.

Catalog Number	Length A	Minimum Ultimate*			Weight (Each)
		Vertical V	Longitudinal L	Tranverse T	
<b>Medium Duty 1½" (38 mm) Dia. Fiberglass Rod</b>					
2SBM36HH1	36" (91.4 cm)	1200 lbs. (544 kg)	1200 lbs. (544 kg)	1500 lbs. (680 kg)	9.8 lbs. (4.4 kg)
<b>Heavy Duty 2" (51 mm) Dia. Fiberglass Rod</b>					
2SBH36HH1	36" (91.4 cm)	2550 lbs. (1156 kg)	2000 lbs. (907 kg)	2500 lbs. (1134 kg)	14.9 lbs. (6.7 kg)
2SBH40HH1	40" (101.6 cm)	2400 lbs. (1089 kg)	1950 lbs. (885 kg)	2500 lbs. (1134 kg)	15.8 lbs. (7.1 kg)
2SBH48HH1	48" (121.9 cm)	2250 lbs. (1021 kg)	1900 lbs. (862 kg)	2500 lbs. (1134 kg)	17.6 lbs. (7.9 kg)

**\*Recommended maximum working load is 50% of minimum ultimate ratings listed.**

2SB—HH1 series has 1" plastisol coated threads

For 1" Nylon threads, replace "HH1" in number with "HH2"

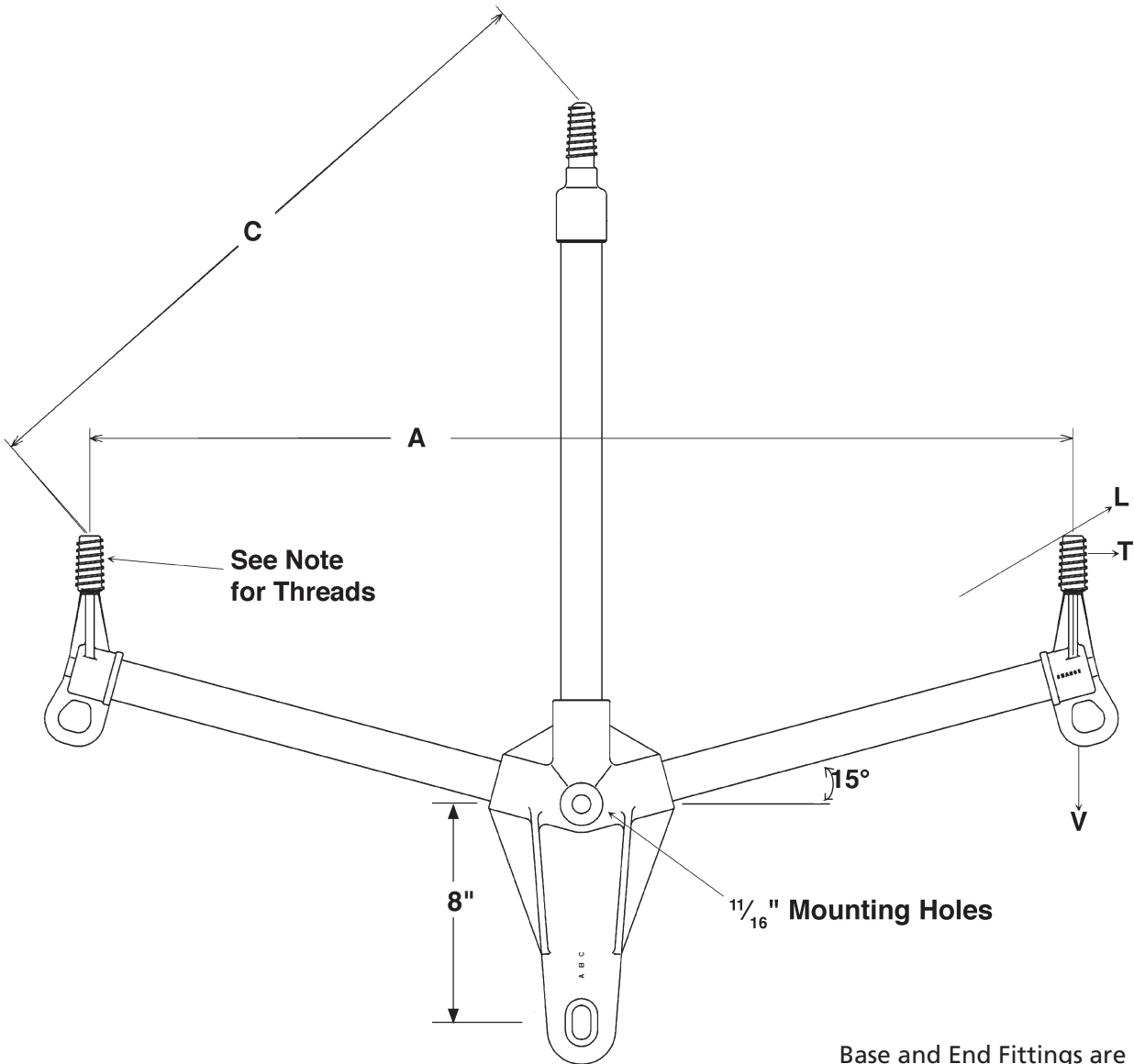
For 1" lead threads, replace "HH1" in number with "HH3"

For 1.375" lead threads, replace "HH1" in number with "HH4"

Consult factory for additional lengths.

Add "SC" suffix to the end of the catalog number to denote Silicone Coated rod

# Three-Phase Vertical Pin Standoff Bracket (15°)



Base and End Fittings are hot-dip-galvanized ductile iron.

Catalog Number	Length A	Length C	Minimum Ultimate*			Weight (Each)
			Vertical V	Longitudinal L	Transverse T	
<b>Medium Duty 1½" (38 mm) Dia. Fiberglass Rod</b>						
3SBM3024VV1	30" (76.2 cm)	24" (61.0 cm)	1500 lbs. (680 kg)	900 lbs. (408 kg)	1500 lbs. (680 kg)	18.7 lbs. (8.4 kg)
3SBM4828VV1	48" (121.9 cm)	28" (71.1 cm)	1350 lbs. (612 kg)	800 lbs. (363 kg)	1500 lbs. (680 kg)	19.8 lbs. (8.9 kg)

**\*Recommended maximum working load is 50% of minimum ultimate ratings listed.**

*3SBM—VV1 series has 1" plastisol coated threads.*

*For 1" Nylon threads, replace "VV1" in number with "VV2"*

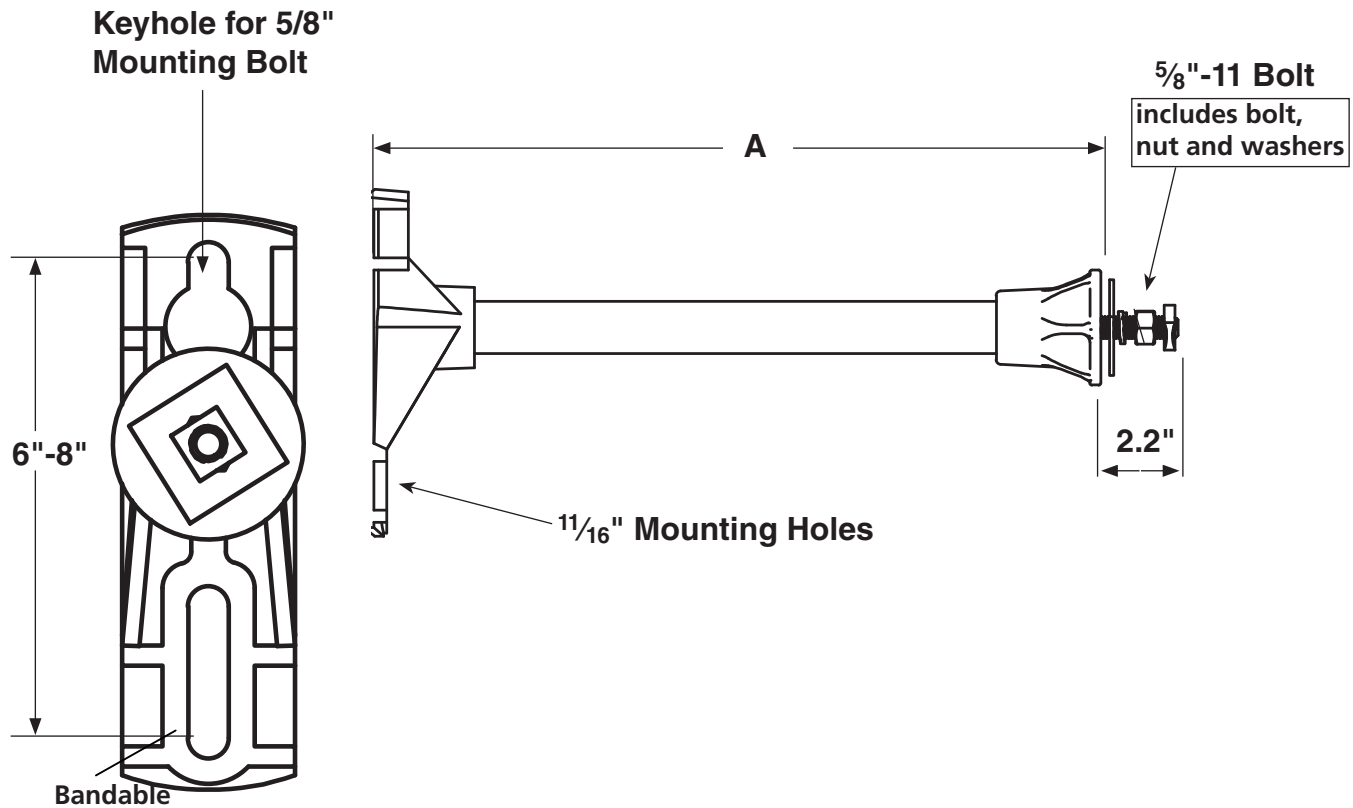
*For 1" Lead threads, replace "VV1" in number with "VV3"*

*For 1.375" Lead threads, replace "VV1" in number with "VV4"*

*Consult factory for additional lengths.*

*Add "SC" suffix to the end of the catalog number to denote Silicone Coated rod*

# Communication Standoff Bracket (0°)



Base and End Fitting are aluminum alloy.

Catalog Number	Length A	Minimum Ultimate*			Weight (Each)
		Vertical V	Longitudinal L	Transverse T	
<b>Medium Duty 1½" (38 mm) Dia. Fiberglass Rod</b>					
1CSM120	12" (30.5 cm)	2100 lbs. (953 kg)	900 lbs. (408 kg)	1500 lbs. (680 kg)	3.8 lbs. (1.7 kg)
1CSM150	18" (46.0 cm)	1500 lbs. (680 kg)	700 lbs. (318 kg)	1500 lbs. (680 kg)	4.6 lbs. (2.1 kg)
1CSM180	21" (53.3 cm)	1200 lbs. (544 kg)	600 lbs. (272 kg)	1500 lbs. (680 kg)	5.0 lbs. (2.3 kg)
1CSM210	21" (61.0 cm)	900 lbs. (408 kg)	500 lbs. (227 kg)	1500 lbs. (680 kg)	5.4 lbs. (2.4 kg)

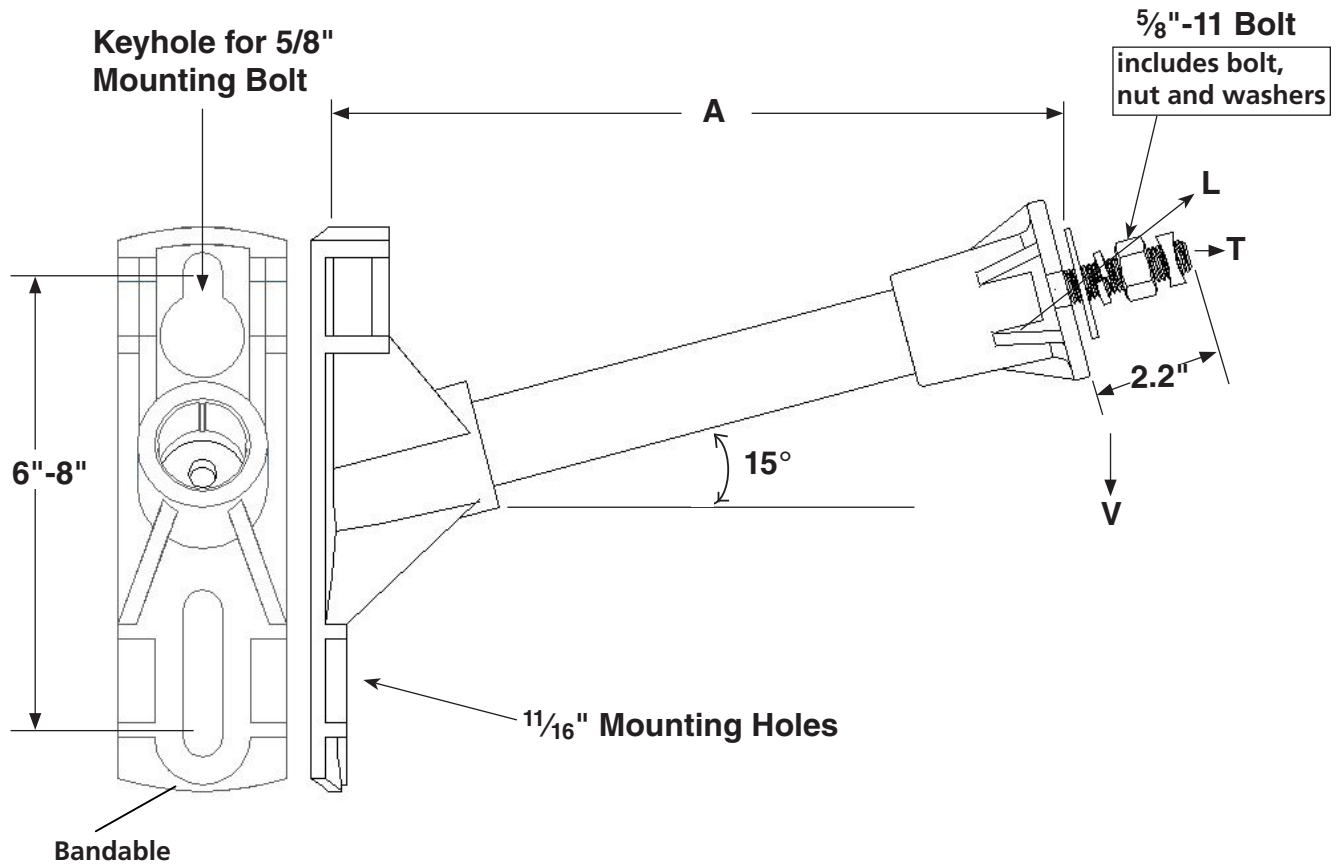
**\*Recommended maximum working load is 50% of minimum ultimate ratings listed.**

*Consult factory for additional lengths, bases, and long bolt option.*

*Add "SC" suffix to the end of the catalog number to denote Silicone Coated rod*



# Communication Standoff Bracket (15°)



Base and End Fitting are aluminum alloy.

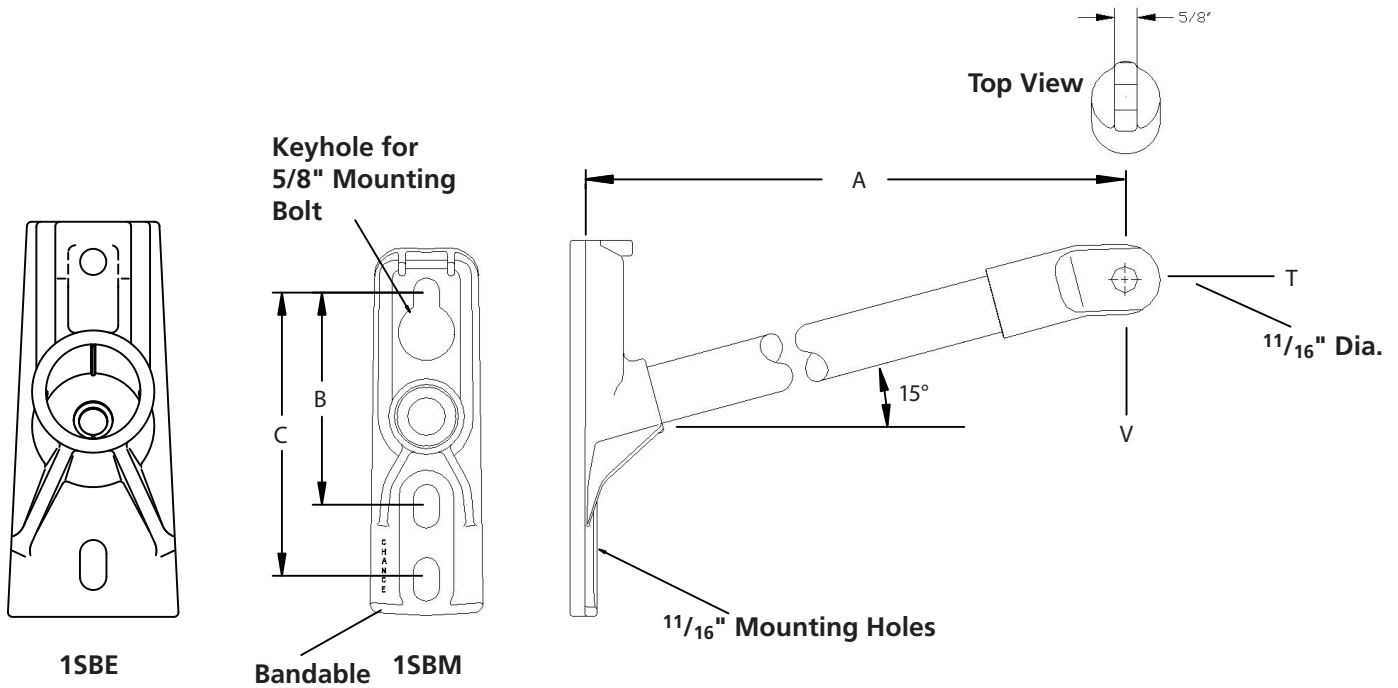
Catalog Number	Length A	Minimum Ultimate*			Weight (Each)
		Vertical V	Longitudinal L	Transverse T	
<b>Medium Duty 1½" (38 mm) Dia. Fiberglass Rod</b>					
1CSM12	12" (30.5 cm)	2100 lbs. (953 kg)	1300 lbs. (590 kg)	1500 lbs. (680 kg)	3.8 lbs. (1.7 kg)
1CSM15	15" (38.1 cm)	1800 lbs. (817 kg)	1200 lbs. (544 kg)	1500 lbs. (680 kg)	4.2 lbs. (1.9 kg)
1CSM18	18" (45.7 cm)	1500 lbs. (680 kg)	1000 lbs. (454 kg)	1500 lbs. (680 kg)	4.6 lbs. (2.1 kg)
1CSM21	21" (53.3 cm)	1300 lbs. (590 kg)	850 lbs. (386 kg)	1500 lbs. (680 kg)	5.0 lbs. (2.3 kg)
1CSM24	24" (61.0 cm)	1100 lbs. (499 kg)	700 lbs. (318 kg)	1500 lbs. (680 kg)	5.4 lbs. (2.4 kg)
1CSM30	30" (76.2 cm)	900 lbs. (408 kg)	600 lbs. (272 kg)	1500 lbs. (680 kg)	6.1 lbs. (2.7 kg)
1CSM36	36" (91.4 cm)	900 lbs. (408 kg)	500 lbs. (227 kg)	1500 lbs. (680 kg)	6.8 lbs. (3.1 kg)

**\*Recommended maximum working load is 50% of minimum ultimate ratings listed.**

Consult factory for additional lengths, bases, and long bolt option.

Add "SC" suffix to the end of the catalog number to denote Silicone Coated rod

# Single-Phase Suspension Standoff Bracket (15°)



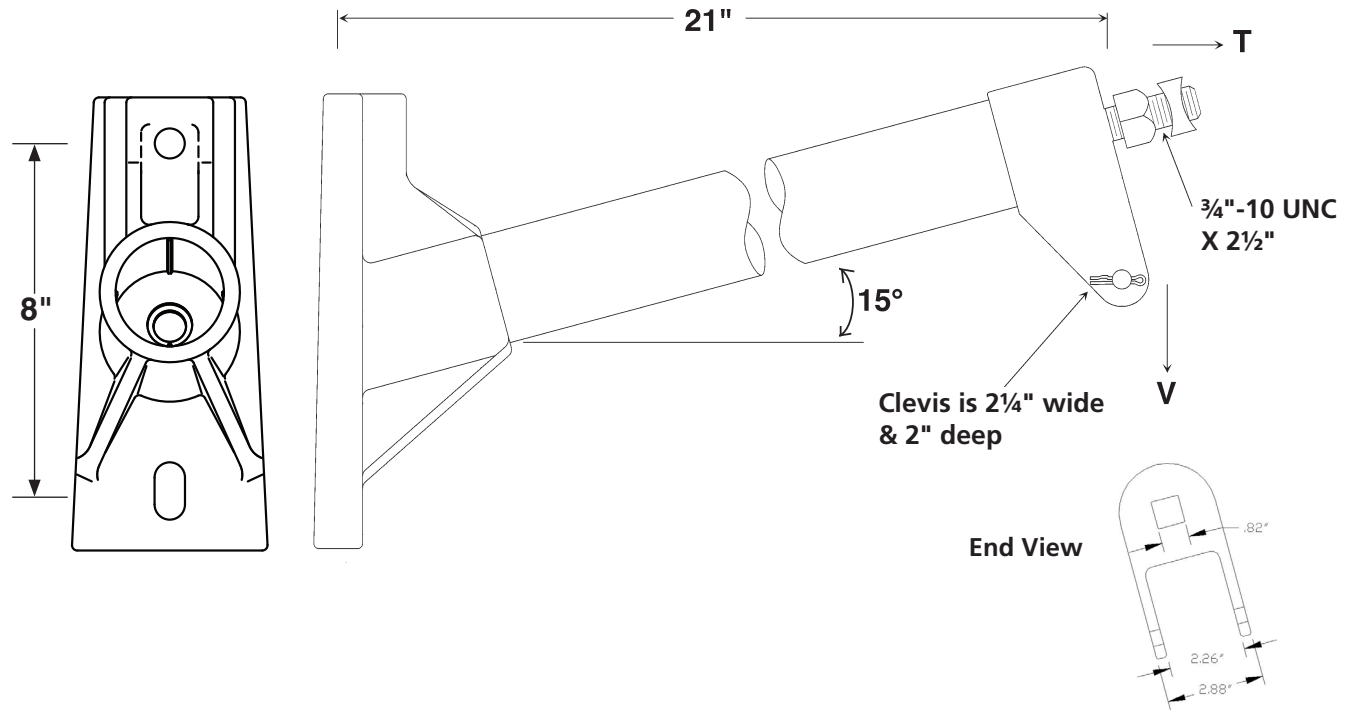
B Dimension is 6" for 1SBM series and 8" for 1SBE series  
 C Dimension is 8" for 1SBM series  
 Base and End Fitting are hot-dip-galvanized ductile iron.

Catalog Number	Length A	Minimum Ultimate*		Weight (Each)
		Vertical V	Transverse T	
<b>Medium Duty 1½" (38 mm) Dia. Fiberglass Rod</b>				
1SBM12S	12" (30.5 cm)	1800 lbs. (817 kg)	10,000 lbs. (4536 kg)	5.3 lbs. (2.4 kg)
1SBM15S	15" (38.1 cm)	1500 lbs. (680 kg)	10,000 lbs. (4536 kg)	5.6 lbs. (2.5 kg)
1SBM18S	18" (45.7 cm)	1200 lbs. (544 kg)	10,000 lbs. (4536 kg)	6.0 lbs. (2.7 kg)
1SBM21S	21" (53.3 cm)	1050 lbs. (476 kg)	10,000 lbs. (4536 kg)	6.4 lbs. (2.9 kg)
1SBM24S	24" (61.0 cm)	900 lbs. (408 kg)	10,000 lbs. (4536 kg)	6.7 lbs. (3.0 kg)
<b>Extra Heavy Duty 2½" (63.5 mm) Dia. Fiberglass Rod</b>				
1SBE20S	20" (50.8 cm)	5000 lbs. (2268 kg)	10,000 lbs. (4536 kg)	12.1 lbs. (5.4 kg)
1SBE24S	24" (61.0 cm)	4000 lbs. (1814 kg)	10,000 lbs. (4536 kg)	13.5 lbs. (6.1 kg)
1SBE27S	27" (68.6 cm)	3700 lbs. (1678 kg)	10,000 lbs. (4536 kg)	14.5 lbs. (6.5 kg)
1SBE30S	30" (76.2 cm)	3500 lbs. (1588 kg)	10,000 lbs. (4536 kg)	15.5 lbs. (7.0 kg)
1SBE36S	36" (91.4 cm)	3000 lbs. (1361 kg)	10,000 lbs. (4536 kg)	17.6 lbs. (7.9 kg)

\*Recommended maximum working load is 50% of minimum ultimate ratings listed.  
 Consult factory for additional lengths.



# Cable Spacer / Tangent Standoff Bracket (15°)



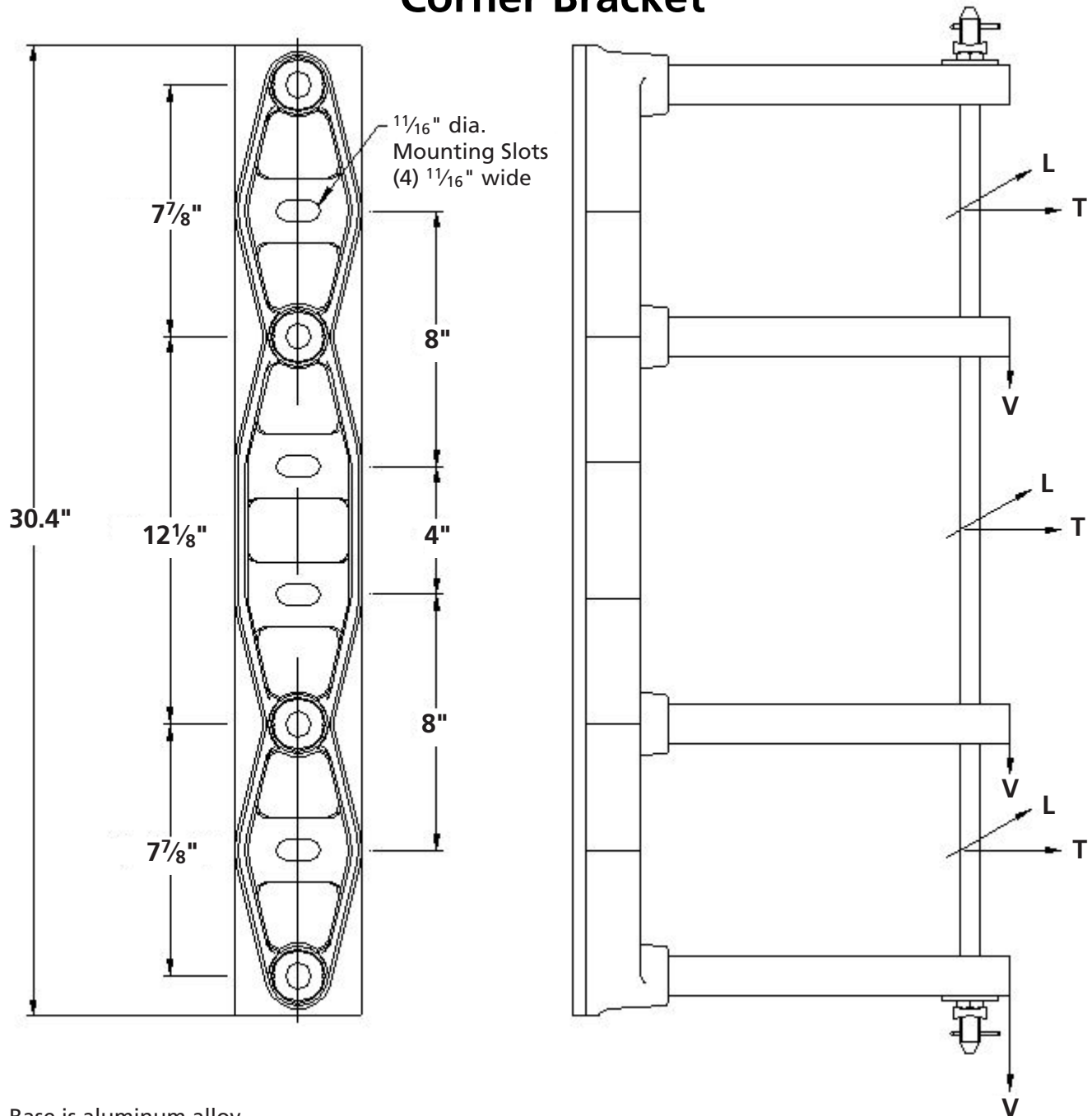
Base and End Fitting are aluminum alloy.

Catalog Number	Length A	Minimum Ultimate*		Weight (Each)
		Vertical V	Transverse T	
<b>Extra Heavy Duty 2 1/2" (63.5 mm) Dia. Fiberglass Rod</b>				
T6531191	21" (53.3 cm)	4000 lbs. (1814 kg)	10,000 lbs. (4536 kg)	13.5 lbs. (6.1 kg)

**\*Recommended maximum working load is 50% of minimum ultimate ratings listed.**  
*Consult factory for additional lengths.*



# Three-Phase Corner Bracket



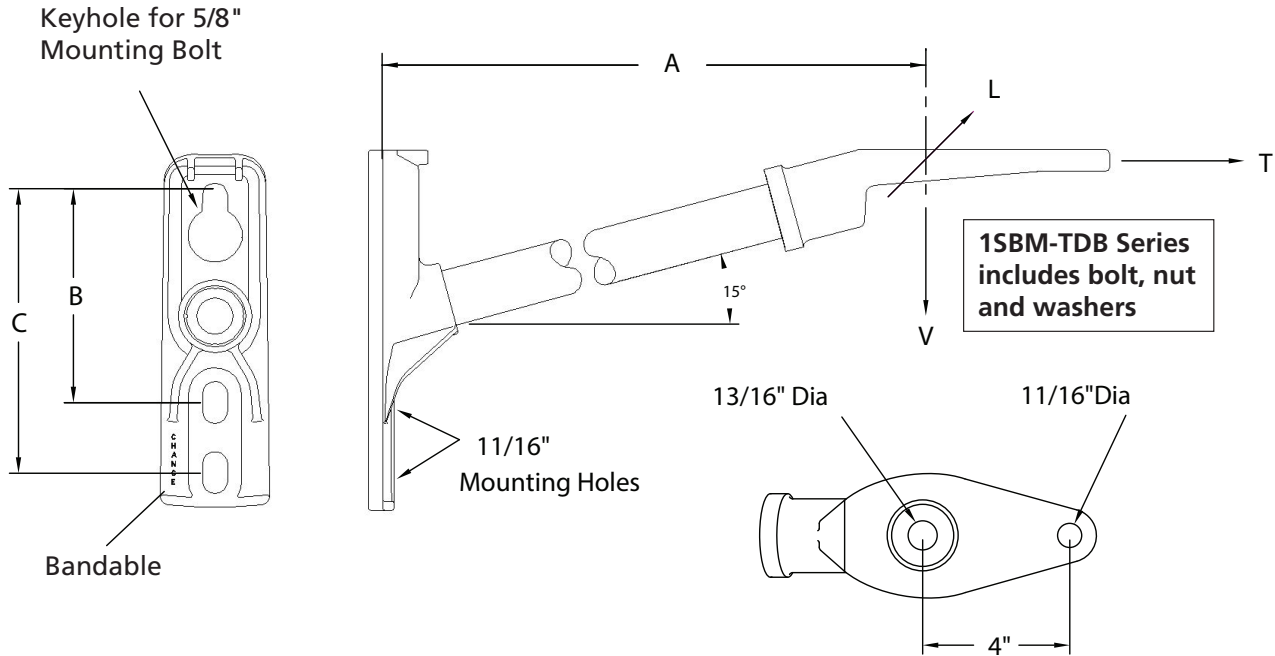
Base is aluminum alloy.

Catalog Number	Minimum Ultimate*			Weight (Each)
	Vertical V	Longitudinal L	Transverse T	
<b>Light Duty 1 1/4" (32 mm) Dia. Fiberglass Rod</b>				
T6530234	3000 lbs. (1361 kg)	1200 lbs. (544 kg)	4000 lbs. (1814 kg)	18.1 lbs. (8.2 kg)

\* Recommended maximum working load is 50% of minimum ultimate ratings listed.

\* Minimum ultimate load per insulator (spool insulators not included)

# Fiberglass Single-Phase / Single Position Cutout / Arrester Bracket (15°)



B Dimension is 6"  
 C Dimension is 8"  
 Base and End Fitting are hot-dip-galvanized ductile iron.

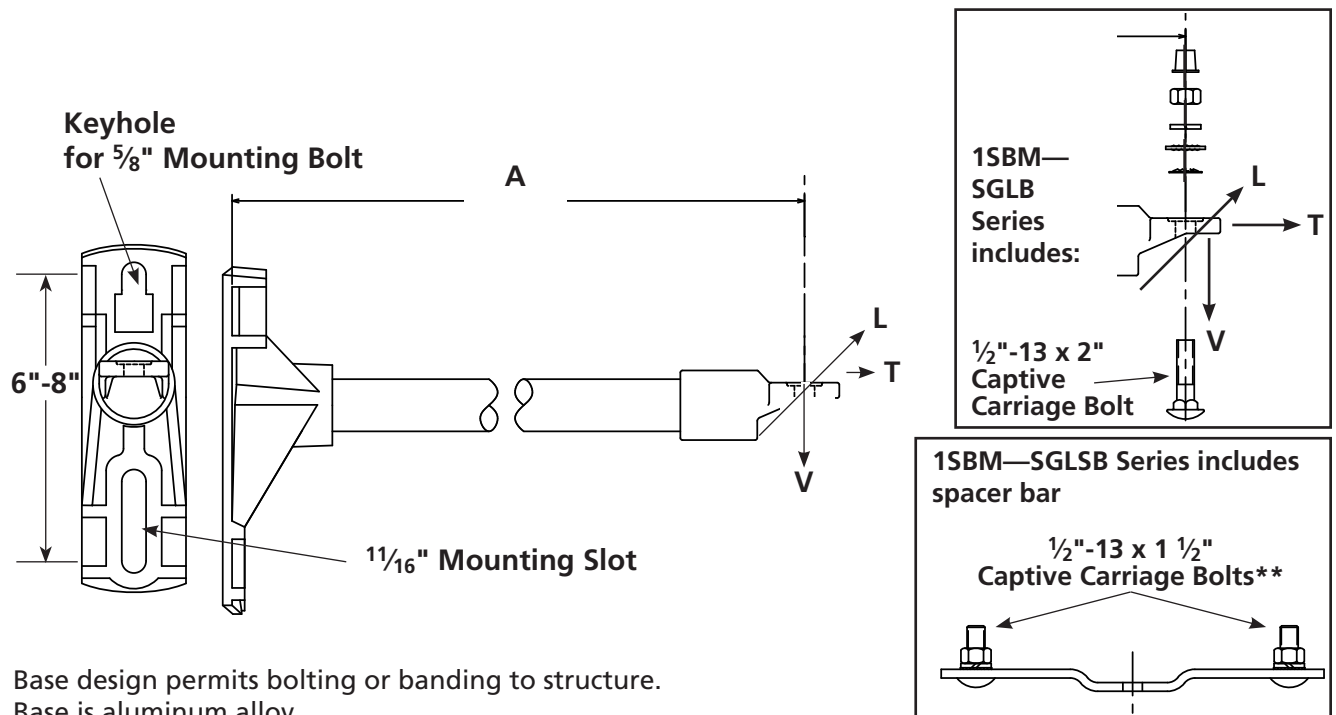
**RUS Accepted.**

Catalog Number	Length A	Minimum Ultimate*			Weight (Each)
		Vertical V	Longitudinal L	Transverse T	
<b>Medium Duty 1½" (38 mm) Dia. Fiberglass Rod</b>					
1SBM18TD	18" (45.7 cm)	1200 lbs. (544 kg)	900 lbs. (408 kg)	10,000 lbs. (4536 kg)	10.0 lbs. (4.5 kg)
1SBM24TD	24" (61.0 cm)	900 lbs. (408 kg)	700 lbs. (318 kg)	10,000 lbs. (4536 kg)	11.2 lbs. (5.1 kg)
1SBM18TDB	18" (45.7 cm)	1200 lbs. (544 kg)	900 lbs. (408 kg)	10,000 lbs. (4536 kg)	10.0 lbs. (4.5 kg)
1SBM24TDB	24" (61.0 cm)	900 lbs. (408 kg)	700 lbs. (318 kg)	10,000 lbs. (4536 kg)	11.2 lbs. (5.1 kg)

**\*Recommended maximum working load is 50% of minimum ultimate ratings listed.**  
 Consult factory for additional lengths.  
 Add "SC" suffix to the end of the catalog number to denote Silicone Coated rod



# 1 Position Single-Phase Cutout / Arrester Bracket (0°)



Base design permits bolting or banding to structure.  
Base is aluminum alloy.  
End Fitting is hot-dip-galvanized ductile iron.

RUS Accepted.

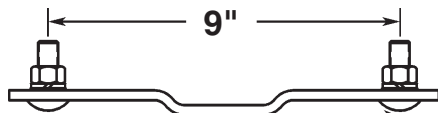
Catalog Number	Length A	Minimum Ultimate*			Weight Each
		Vertical V	Longitudinal L	Transverse T	
<b>Medium Duty 1/2" (38 mm) Dia. Fiberglass Rod</b>					
1SBM12SGL	12" (30.5 cm)	2100 lbs. (953 kg)	900 lbs. (408 kg)	5000 lbs. (2268 kg)	4.6 lbs. (2.1 kg)
1SBM15SGL	15" (38.1 cm)	1800 lbs. (816 kg)	800 lbs. (363 kg)	5000 lbs. (2268 kg)	5.0 lbs. (2.3 kg)
1SBM18SGL	18" (45.7 cm)	1500 lbs. (680 kg)	700 lbs. (318 kg)	5000 lbs. (2268 kg)	5.4 lbs. (2.4 kg)
1SBM21SGL	21" (53.3 cm)	1200 lbs. (544 kg)	600 lbs. (272 kg)	5000 lbs. (2268 kg)	5.8 lbs. (2.6 kg)
1SBM24SGL	24" (61.0 cm)	900 lbs. (408 kg)	500 lbs. (227 kg)	5000 lbs. (2268 kg)	6.2 lbs. (2.8 kg)
1SBM12SGLB	12" (30.5 cm)	2100 lbs. (953 kg)	900 lbs. (408 kg)	5000 lbs. (2268 kg)	4.6 lbs. (2.1 kg)
1SBM15SGLB	15" (38.1 cm)	1800 lbs. (816 kg)	800 lbs. (363 kg)	5000 lbs. (2268 kg)	5.0 lbs. (2.3 kg)
1SBM18SGLB	18" (45.7 cm)	1500 lbs. (680 kg)	700 lbs. (318 kg)	5000 lbs. (2268 kg)	5.4 lbs. (2.4 kg)
1SBM21SGLB	21" (53.3 cm)	1200 lbs. (544 kg)	600 lbs. (272 kg)	5000 lbs. (2268 kg)	5.8 lbs. (2.6 kg)
1SBM24SGLB	24" (61.0 cm)	900 lbs. (408 kg)	500 lbs. (227 kg)	5000 lbs. (2268 kg)	6.2 lbs. (2.8 kg)
1SBM12SGLSB	12" (30.5 cm)	2100 lbs. (953 kg)	900 lbs. (408 kg)	5000 lbs. (2268 kg)	4.6 lbs. (2.1 kg)
1SBM15SGLSB	15" (38.1 cm)	1800 lbs. (816 kg)	800 lbs. (363 kg)	5000 lbs. (2268 kg)	5.0 lbs. (2.3 kg)
1SBM18SGLSB	18" (45.7 cm)	1500 lbs. (680 kg)	700 lbs. (318 kg)	5000 lbs. (2268 kg)	5.4 lbs. (2.4 kg)
1SBM21SGLSB	21" (53.3 cm)	1200 lbs. (544 kg)	600 lbs. (272 kg)	5000 lbs. (2268 kg)	5.8 lbs. (2.6 kg)
1SBM24SGLSB	24" (61.0 cm)	900 lbs. (408 kg)	500 lbs. (227 kg)	5000 lbs. (2268 kg)	6.2 lbs. (2.8 kg)

\*Recommended maximum working load is 50% of minimum ultimate ratings listed.

Consult factory for additional lengths.

Add "SC" suffix to the end of the catalog number to denote Silicone Coated rod

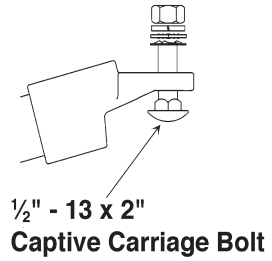
# 1 (2) Position Single-Phase Cutout / Arrester Bracket (15°)



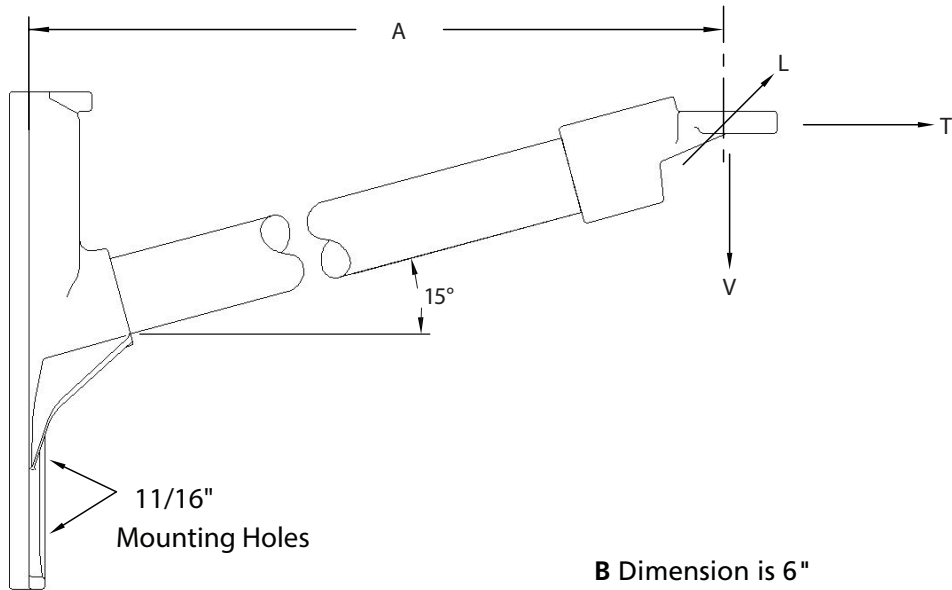
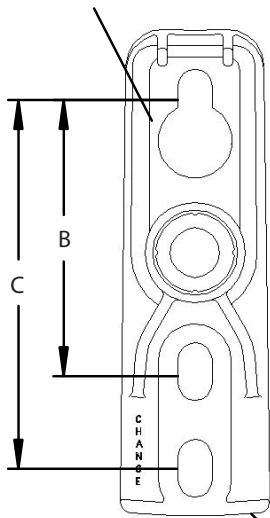
1SBM—AMSB Series  
includes Spacer Bar

T6531343 - Spacer  
Bar Assembly only

1SBM—AMB Series  
includes bolt



Keyhole for 5/8"  
Mounting Bolt



Bandable

B Dimension is 6"  
C Dimension is 8"  
Base and End Fitting are  
hot-dip-galvanized ductile iron.

RUS Accepted.

Catalog Number	Length A	Minimum Ultimate*			Weight (Each)
		Vertical V	Longitudinal L	Transverse T	
<b>Medium Duty 1½" (38 mm) Dia. Fiberglass Rod</b>					
1SBM15AM	15" (38.1 cm)	1500 lbs. (680 kg)	1100 lbs. (499 kg)	1500 lbs. (680 kg)	6.6 lbs. (3.0 kg)
1SBM18AM	18" (45.7 cm)	1200 lbs. (544 kg)	950 lbs. (430 kg)	1500 lbs. (680 kg)	7.0 lbs. (3.2 kg)
1SBM21AM	21" (53.3 cm)	1000 lbs. (454 kg)	800 lbs. (363 kg)	1500 lbs. (680 kg)	7.4 lbs. (3.3 kg)
1SBM24AM	24" (61.0 cm)	900 lbs. (408 kg)	700 lbs. (318 kg)	1500 lbs. (680 kg)	7.8 lbs. (3.5 kg)
1SBM15AMB	15" (38.1 cm)	1500 lbs. (680 kg)	1100 lbs. (499 kg)	1500 lbs. (680 kg)	6.6 lbs. (3.0 kg)
1SBM18AMB	18" (45.7 cm)	1200 lbs. (544 kg)	950 lbs. (430 kg)	1500 lbs. (680 kg)	7.0 lbs. (3.2 kg)
1SBM21AMB	21" (53.3 cm)	1000 lbs. (454 kg)	800 lbs. (363 kg)	1500 lbs. (680 kg)	7.4 lbs. (3.3 kg)
1SBM24AMB	24" (61.0 cm)	900 lbs. (408 kg)	700 lbs. (318 kg)	1500 lbs. (680 kg)	7.8 lbs. (3.5 kg)
1SBM15AMSB	15" (38.1 cm)	1500 lbs. (680 kg)	1100 lbs. (499 kg)	1500 lbs. (680 kg)	6.6 lbs. (3.0 kg)
1SBM18AMSB	18" (45.7 cm)	1200 lbs. (544 kg)	950 lbs. (430 kg)	1500 lbs. (680 kg)	7.0 lbs. (3.2 kg)
1SBM21AMSB	21" (53.3 cm)	1000 lbs. (454 kg)	800 lbs. (363 kg)	1500 lbs. (680 kg)	7.4 lbs. (3.3 kg)
1SBM24AMSB	24" (61.0 cm)	900 lbs. (408 kg)	700 lbs. (318 kg)	1500 lbs. (680 kg)	7.8 lbs. (3.5 kg)

\*Recommended maximum working load is 50% of minimum ultimate ratings listed.

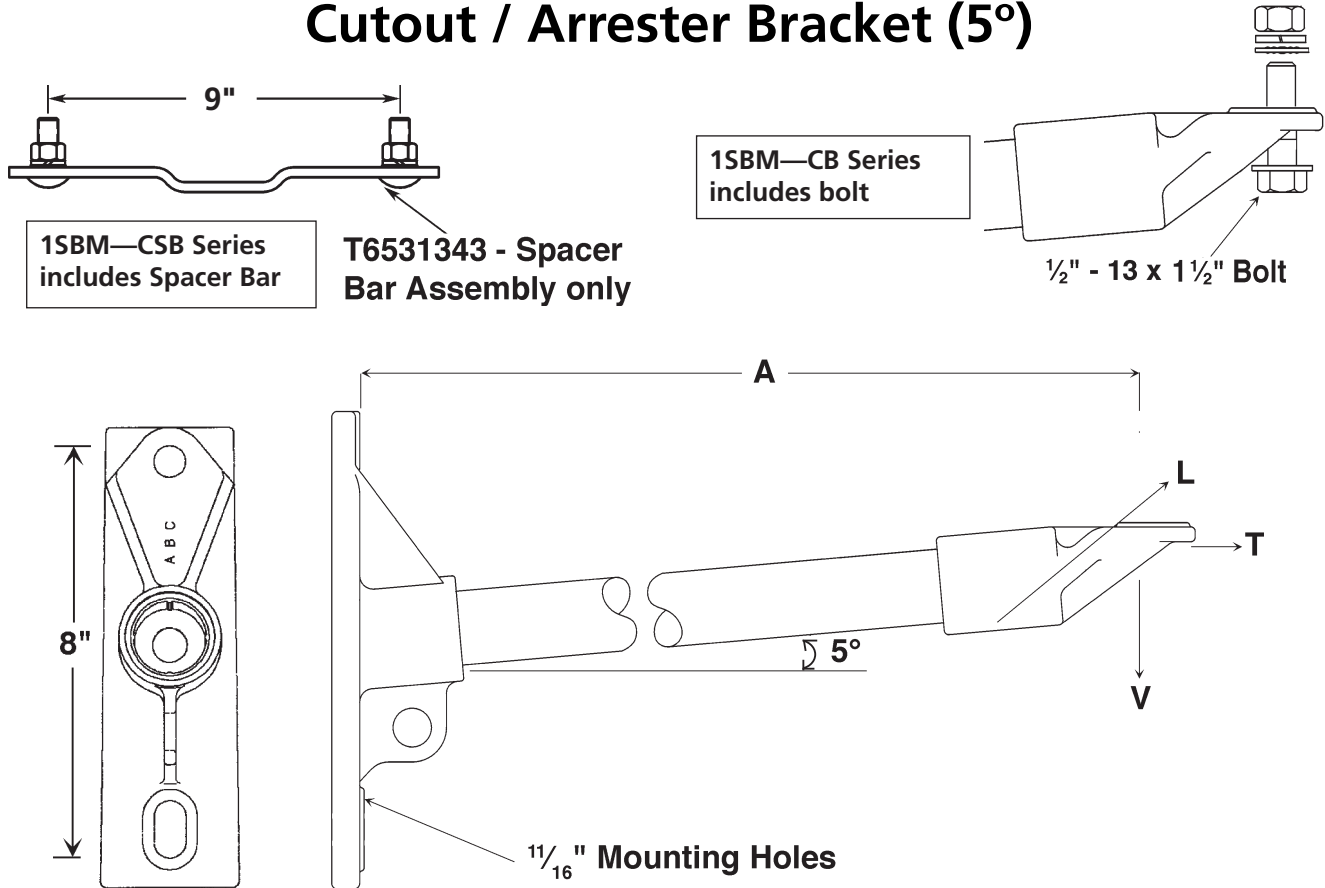
Consult factory for additional lengths.

Add "SC" suffix to the end of the catalog number to denote Silicone Coated rod





# 1 (2) Position Single-Phase Cutout / Arrester Bracket (5°)



RUS Accepted.

Base and End Fitting are aluminum alloy.

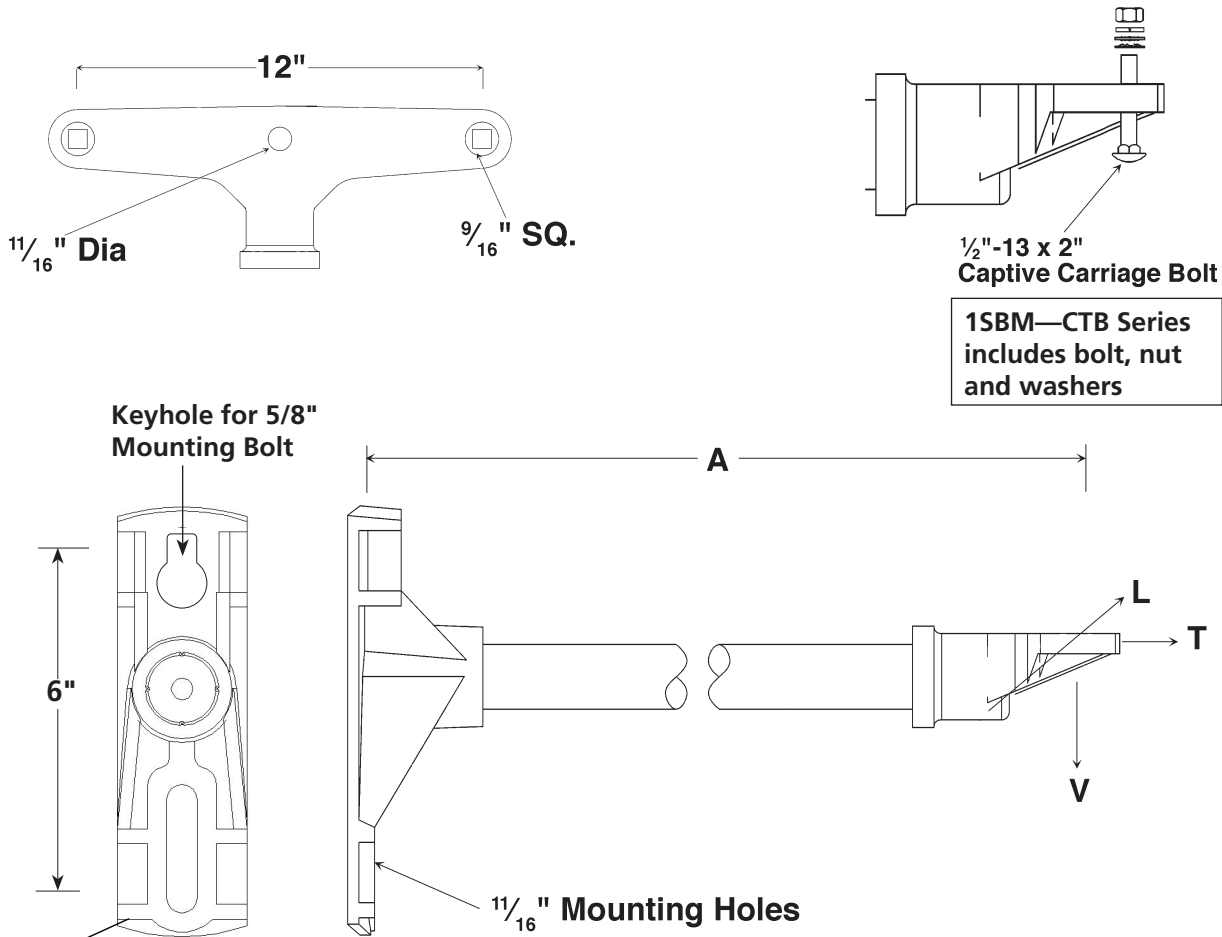
Catalog Number	Length A	Minimum Ultimate*			Weight (Each)
		Vertical V	Longitudinal L	Transverse T	
<b>Medium Duty 1½" (38 mm) Dia. Fiberglass Rod</b>					
1SBM12C	12" (30.5 cm)	2100 lbs. (953 kg)	900 lbs. (408 kg)	1500 lbs. (680 kg)	3.6 lbs. (1.6 kg)
1SBM15C	15" (38.1 cm)	1800 lbs. (816 kg)	800 lbs. (363 kg)	1500 lbs. (680 kg)	4.0 lbs. (1.8 kg)
1SBM18C	18" (45.7 cm)	1500 lbs. (680 kg)	700 lbs. (318 kg)	1500 lbs. (680 kg)	4.4 lbs. (2.0 kg)
1SBM21C	21" (53.3 cm)	1200 lbs. (544 kg)	600 lbs. (272 kg)	1500 lbs. (680 kg)	4.7 lbs. (2.1 kg)
1SBM12CB	12" (30.5 cm)	2100 lbs. (953 kg)	900 lbs. (408 kg)	1500 lbs. (680 kg)	3.6 lbs. (1.6 kg)
1SBM15CB	15" (38.1 cm)	1800 lbs. (816 kg)	800 lbs. (363 kg)	1500 lbs. (680 kg)	4.0 lbs. (1.8 kg)
1SBM18CB	18" (45.7 cm)	1500 lbs. (680 kg)	700 lbs. (318 kg)	1500 lbs. (680 kg)	4.4 lbs. (2.0 kg)
1SBM21CB	21" (53.3 cm)	1200 lbs. (544 kg)	600 lbs. (272 kg)	1500 lbs. (680 kg)	4.7 lbs. (2.1 kg)
1SBM12CSB	12" (30.5 cm)	2100 lbs. (953 kg)	900 lbs. (408 kg)	1500 lbs. (680 kg)	3.6 lbs. (1.6 kg)
1SBM15CSB	15" (38.1 cm)	1800 lbs. (816 kg)	800 lbs. (363 kg)	1500 lbs. (680 kg)	4.0 lbs. (1.8 kg)
1SBM18CSB	18" (45.7 cm)	1500 lbs. (680 kg)	700 lbs. (318 kg)	1500 lbs. (680 kg)	4.4 lbs. (2.0 kg)
1SBM21CSB	21" (53.3 cm)	1200 lbs. (544 kg)	600 lbs. (272 kg)	1500 lbs. (680 kg)	4.7 lbs. (2.1 kg)

\*Recommended maximum working load is 50% of minimum ultimate ratings listed.

Consult factory for additional lengths.

Add "SC" suffix to the end of the catalog number to denote Silicone Coated rod

## 2 Position Single-Phase Cutout / Arrester Bracket (0°)



Bandable      **RUS Accepted.**      Base and end Fittings are Aluminum Alloy.

Catalog Number	Length A	Minimum Ultimate*			Weight (Each)
		Vertical V	Longitudinal L	Transverse T	
<b>Medium Duty 1 1/2" (38 mm) Dia. Fiberglass Rod</b>					
1SBM12CT	12" (30.5 cm)	1800 lbs. (816 kg)	1400 lbs. (635 kg)	10,000 lbs. (4536 kg)	3.6 lbs. (1.6 kg)
1SBM15CT	15" (38.1 cm)	1500 lbs. (680 kg)	1200 lbs. (544 kg)	10,000 lbs. (4536 kg)	4.0 lbs. (1.8 kg)
1SBM18CT	18" (45.7 cm)	1200 lbs. (544 kg)	1000 lbs. (454 kg)	10,000 lbs. (4536 kg)	4.4 lbs. (2.0 kg)
1SBM21CT	21" (53.3 cm)	1050 lbs. (476 kg)	700 lbs. (317 kg)	10,000 lbs. (4536 kg)	4.7 lbs. (2.1 kg)
1SBM24CT	24" (61.0 cm)	900 lbs. (408 kg)	500 lbs. (227 kg)	10,000 lbs. (4536 kg)	5.0 lbs. (2.3 kg)
1SBM12CTB	12" (30.5 cm)	1800 lbs. (816 kg)	1400 lbs. (635 kg)	10,000 lbs. (4536 kg)	3.6 lbs. (1.6 kg)
1SBM15CTB	15" (38.1 cm)	1500 lbs. (680 kg)	1200 lbs. (544 kg)	10,000 lbs. (4536 kg)	4.0 lbs. (1.8 kg)
1SBM18CTB	18" (45.7 cm)	1200 lbs. (544 kg)	1000 lbs. (454 kg)	10,000 lbs. (4536 kg)	4.4 lbs. (2.0 kg)
1SBM21CTB	21" (53.3 cm)	1050 lbs. (476 kg)	700 lbs. (317 kg)	10,000 lbs. (4536 kg)	4.7 lbs. (2.1 kg)
1SBM24CTB	24" (61.0 cm)	900 lbs. (408 kg)	500 lbs. (227 kg)	10,000 lbs. (4536 kg)	5.0 lbs. (2.3 kg)

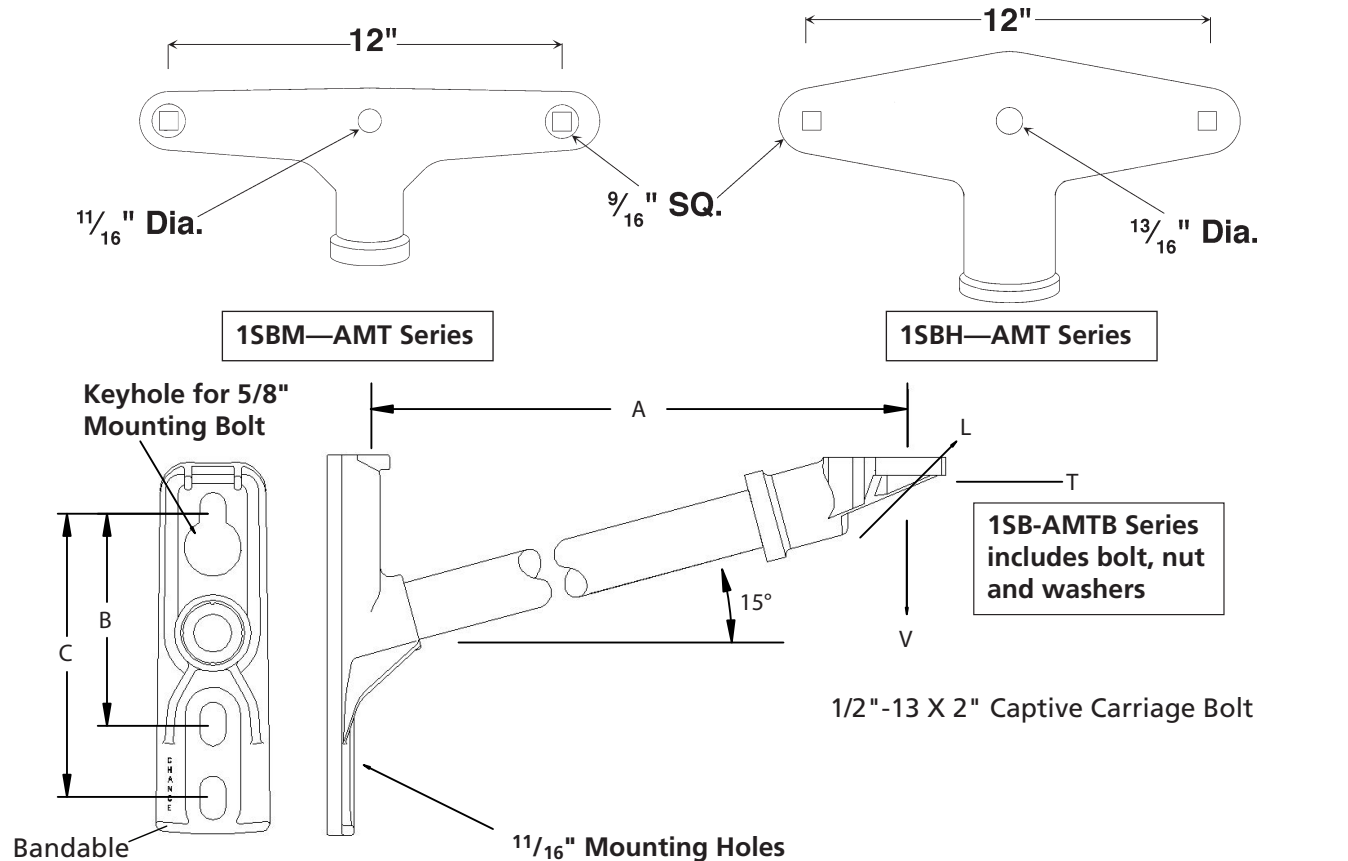
**\*Recommended maximum working load is 50% of minimum ultimate ratings listed.**

*Consult factory for additional lengths.*

*Add "SC" suffix to the end of the catalog number to denote Silicone Coated rod*



## 2 Position Single-Phase Cutout / Arrester Bracket (15°)



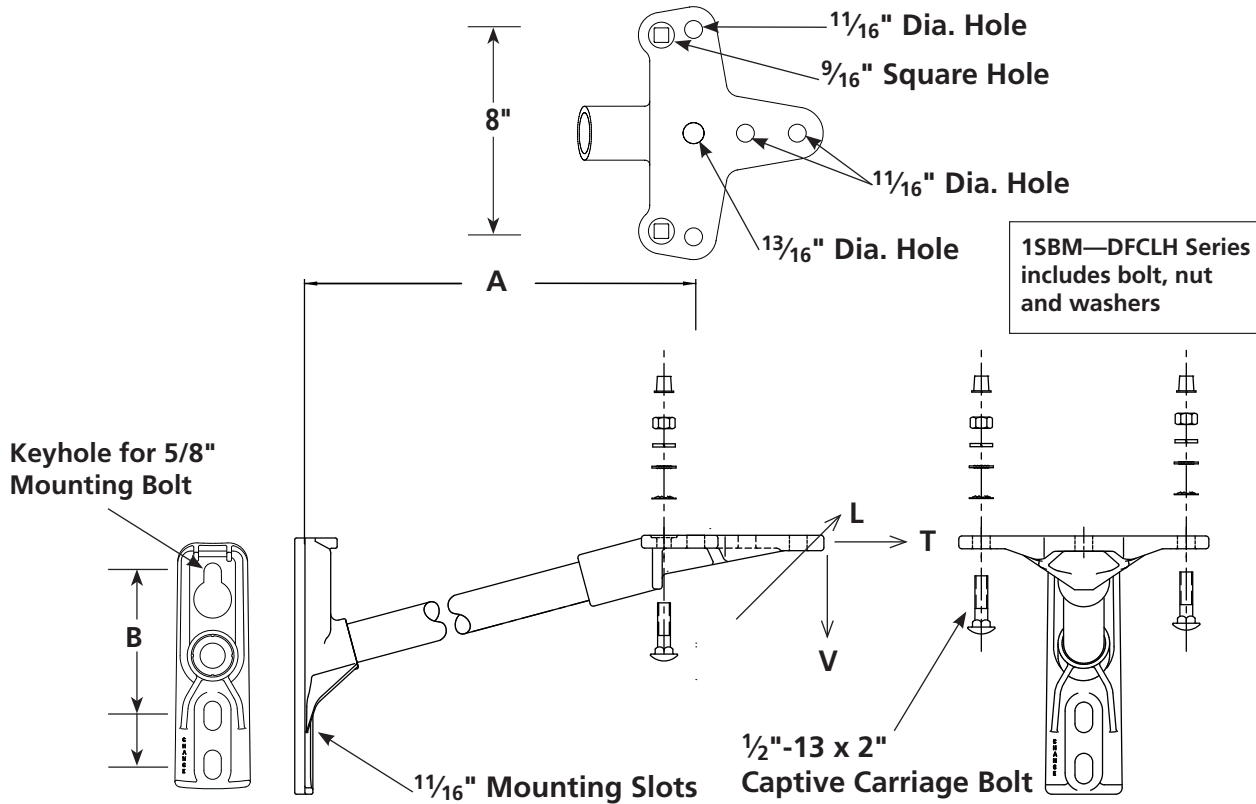
**B** Dimension is 6" for 1SBM series and 8" for 1SBH series  
**C** Dimension is 8" for 1SBM series and 10" for 1SBH series  
**RUS Accepted.**

Base is hot-dip galvanized ductile iron and End Fitting is aluminum alloy.

Catalog Number	Length A	Minimum Ultimate*			Weight (Each)
		Vertical V	Longitudinal L	Transverse T	
<b>Medium Duty 1 1/2" (38 mm) Dia. Fiberglass Rod</b>					
1SBM12AMT	12" (30.5 cm)	1800 lbs. (817 kg)	1400 lbs. (635 kg)	10,000 lbs. (4536 kg)	6.6 lbs. (3.0 kg)
1SBM15AMT	15" (38.1 cm)	1500 lbs. (680 kg)	1100 lbs. (499 kg)	10,000 lbs. (4536 kg)	7.0 lbs. (3.2 kg)
1SBM18AMT	18" (45.7 cm)	1200 lbs. (544 kg)	950 lbs. (431 kg)	10,000 lbs. (4536 kg)	7.4 lbs. (3.3 kg)
1SBM24AMT	24" (61.0 cm)	900 lbs. (408 kg)	700 lbs. (318 kg)	10,000 lbs. (4536 kg)	7.8 lbs. (3.5 kg)
1SBM12AMTB	12" (30.5 cm)	1800 lbs. (817 kg)	1400 lbs. (635 kg)	10,000 lbs. (4536 kg)	6.6 lbs. (3.0 kg)
1SBM15AMTB	15" (38.1 cm)	1500 lbs. (680 kg)	1100 lbs. (499 kg)	10,000 lbs. (4536 kg)	7.0 lbs. (3.2 kg)
1SBM18AMTB	18" (45.7 cm)	1200 lbs. (544 kg)	950 lbs. (431 kg)	10,000 lbs. (4536 kg)	7.4 lbs. (3.3 kg)
1SBM24AMTB	24" (61.0 cm)	900 lbs. (408 kg)	700 lbs. (318 kg)	10,000 lbs. (4536 kg)	7.8 lbs. (3.5 kg)
<b>Heavy Duty 2" (51 mm) Dia. Fiberglass Rod</b>					
1SBH18AMT	18" (45.7 cm)	2250 lbs. (1021 kg)	1400 lbs. (635 kg)	10,000 lbs. (4536 kg)	9.6 lbs. (4.3 kg)
1SBH21AMT	21" (53.3 cm)	2100 lbs. (953 kg)	1250 lbs. (567 kg)	10,000 lbs. (4536 kg)	10.0 lbs. (4.5 kg)
1SBH24AMT	24" (61.0 cm)	1900 lbs. (862 kg)	1100 lbs. (499 kg)	10,000 lbs. (4536 kg)	10.4 lbs. (4.7 kg)
1SBH18AMTB	18" (45.7 cm)	2250 lbs. (1021 kg)	1400 lbs. (635 kg)	10,000 lbs. (4536 kg)	9.6 lbs. (4.3 kg)
1SBH21AMTB	21" (53.3 cm)	2100 lbs. (953 kg)	1250 lbs. (567 kg)	10,000 lbs. (4536 kg)	10.0 lbs. (4.5 kg)
1SBH24AMTB	24" (61.0 cm)	1900 lbs. (862 kg)	1100 lbs. (499 kg)	10,000 lbs. (4536 kg)	10.4 lbs. (4.7 kg)

\*Recommended maximum working load is 50% of minimum ultimate ratings listed.  
 Consult factory for additional lengths.  
 Add "SC" suffix to the end of the catalog number to denote Silicone Coated rod

# 7-Hole Cloverleaf Single-Phase Cutout / Arrester Bracket (15°)



Base design permits bolting or banding to structure.  
 Base is hot-dip galvanized ductile iron.  
 B Dimension is 6" & 8"

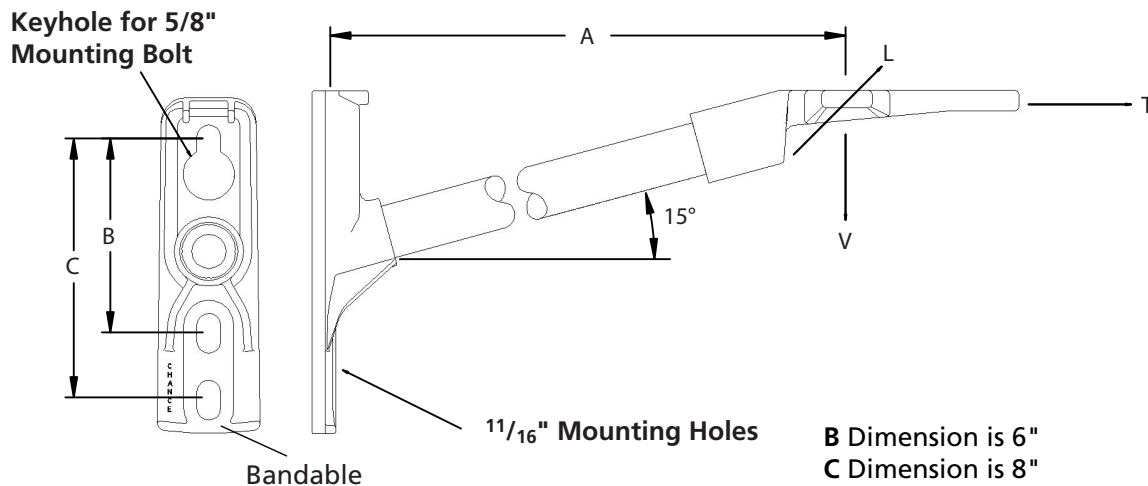
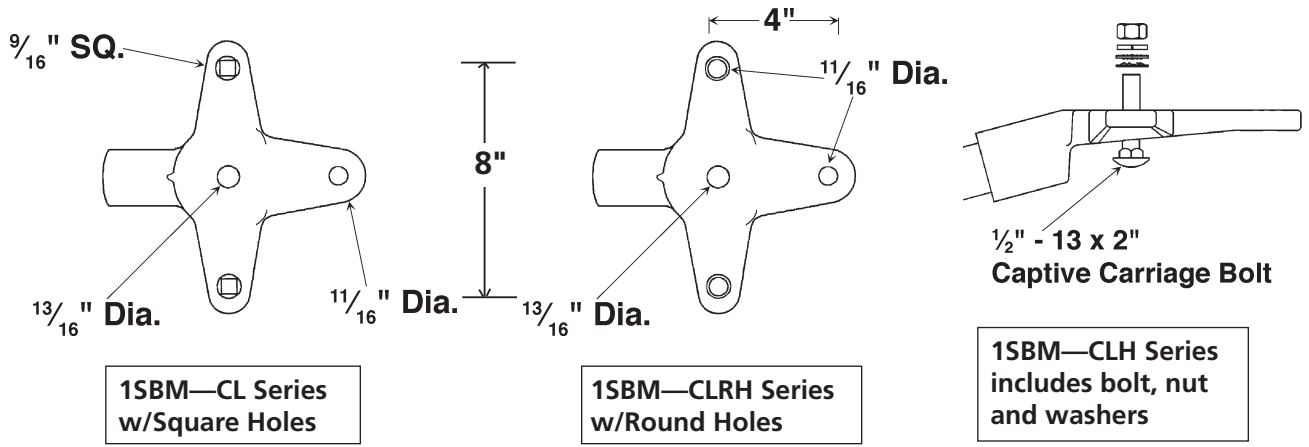
End fitting is aluminum alloy.  
 Replacement Hardware Kit PST6531849

Catalog Number	Length A	Minimum Ultimate*			Weight (Each)
		Vertical V	Longitudinal L	Transverse T	
<b>Medium Duty 1 1/2" (38 mm) Dia. Fiberglass Rod</b>					
1SBM12DFCL	12" (30.5 cm)	1800 lbs. (816 kg)	1400 lbs. (635 kg)	10,000 lbs. (4536 kg)	6.9 lbs. (3.1 kg)
1SBM15DFCL	15" (38.1 cm)	1500 lbs. (680 kg)	1100 lbs. (499 kg)	10,000 lbs. (4536 kg)	7.3 lbs. (3.3 kg)
1SBM18DFCL	18" (45.7 cm)	1200 lbs. (544 kg)	950 lbs. (431 kg)	10,000 lbs. (4536 kg)	7.7 lbs. (3.5 kg)
1SBM21DFCL	21" (53.3 cm)	1050 lbs. (476 kg)	825 lbs. (374 kg)	10,000 lbs. (4536 kg)	8.1 lbs. (3.7 kg)
1SBM24DFCL	24" (61.0 cm)	900 lbs. (408 kg)	700 lbs. (318 kg)	10,000 lbs. (4536 kg)	8.5 lbs. (3.9 kg)
1SBM12DFCLH	12" (30.5 cm)	1800 lbs. (816 kg)	1400 lbs. (635 kg)	10,000 lbs. (4536 kg)	7.0 lbs. (3.2 kg)
1SBM15DFCLH	15" (38.1 cm)	1500 lbs. (680 kg)	1100 lbs. (499kg)	10,000 lbs. (4536 kg)	7.4 lbs. (3.4 kg)
1SBM18DFCLH	18" (45.7 cm)	1200 lbs. (544 kg)	950 lbs. (431 kg)	10,000 lbs. (4536 kg)	7.8 lbs. (3.5 kg)
1SBM21DFCLH	21" (53.3 cm)	1050 lbs. (476 kg)	825 lbs. (374 kg)	10,000 lbs. (4536 kg)	8.2 lbs. (3.7 kg)
1SBM24DFCLH	24" (61.0 cm)	900 lbs. (408 kg)	700 lbs. (318 kg)	10,000 lbs. (4536 kg)	8.6 lbs. (3.9 kg)

**\*Recommended maximum working load is 50% of minimum ultimate ratings listed.**  
 Consult factory for additional lengths.  
 Add "SC" suffix to the end of the catalog number to denote Silicone Coated rod



## 3 Position Cloverleaf Single-Phase Cutout / Arrester Bracket (15°)

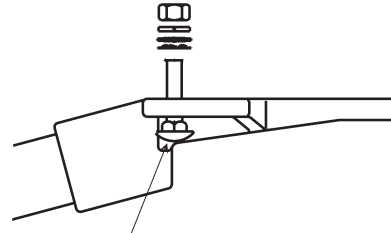
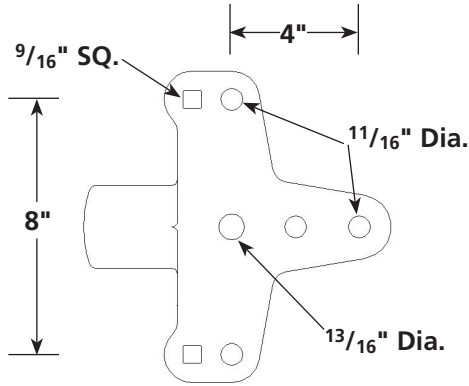


RUS Accepted.

Catalog Number	Length A	Minimum Ultimate*			Weight (Each)
		Vertical V	Longitudinal L	Transverse T	
<b>Medium Duty 1 1/2" (38 mm) Dia. Fiberglass Rod</b>					
1SBM12CL	12" (30.5 cm)	1800 lbs. (816 kg)	1400 lbs. (635 kg)	10,000 lbs. (4536 kg)	6.6 lbs. (3.1 kg)
1SBM18CL	18" (45.7 cm)	1200 lbs. (544 kg)	950 lbs. (431 kg)	10,000 lbs. (4536 kg)	7.4 lbs. (3.4 kg)
1SBM12CLH	12" (30.5 cm)	1800 lbs. (816 kg)	1400 lbs. (635 kg)	10,000 lbs. (4536 kg)	6.6 lbs. (3.1 kg)
1SBM18CLH	18" (45.7 cm)	1200 lbs. (544 kg)	950 lbs. (431 kg)	10,000 lbs. (4536 kg)	7.4 lbs. (3.4 kg)
1SBM12CLR	12" (30.5 cm)	1800 lbs. (816 kg)	1400 lbs. (635 kg)	10,000 lbs. (4536 kg)	6.6 lbs. (3.1 kg)
1SBM18CLR	18" (45.7 cm)	1200 lbs. (544 kg)	950 lbs. (431 kg)	10,000 lbs. (4536 kg)	7.4 lbs. (3.3 kg)

\*Recommended maximum working load is 50% of minimum ultimate ratings listed.  
Consult factory for additional lengths.  
Add "SC" suffix to the end of the catalog number to denote Silicone Coated rod

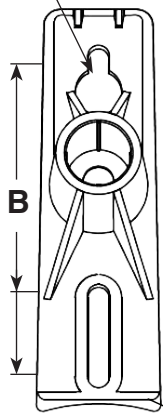
# 7 Hole Cloverleaf Single-Phase Cutout / Arrester Bracket (15°)



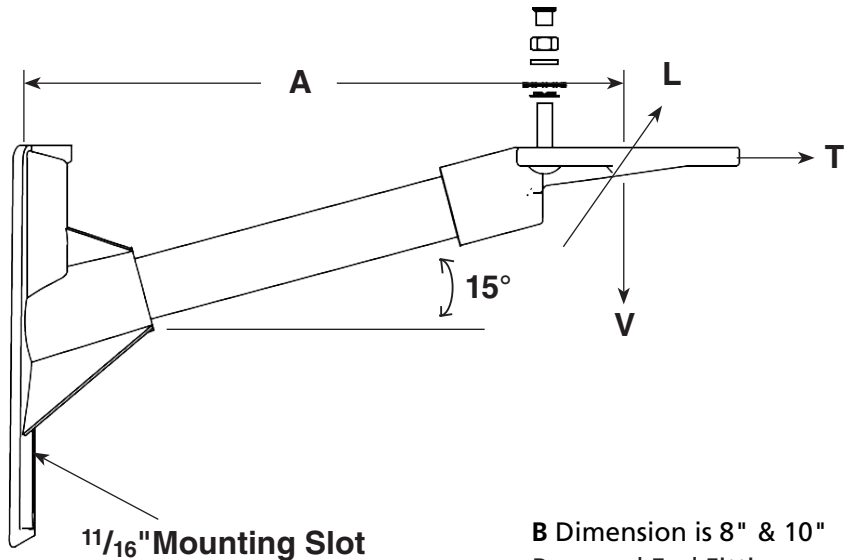
1/2" - 13 x 2" Captive Carriage Bolt

1SBH—CLH Series includes bolt, nut and washers

Keyhole for 5/8" Mounting Bolt



Bandable



1 1/16" Mounting Slot

B Dimension is 8" & 10"  
Base and End Fitting are aluminum alloy.

Catalog Number	Length A	Minimum Ultimate*			Weight (Each)
		Vertical V	Longitudinal L	Transverse T	
<b>Heavy Duty 2" (51 mm) Dia. Fiberglass Rod</b>					
1SBH18CL	18" (45.7 cm)	2250 lbs. (1021 kg)	1400 lbs. (635 kg)	10,000 lbs. (4536 kg)	7.5 lbs. (3.4 kg)
1SBH21CL	21" (53.3 cm)	2000 lbs. (907 kg)	1250 lbs. (567 kg)	10,000 lbs. (4536 kg)	8.1 lbs. (3.7 kg)
1SBH24CL	24" (61.0 cm)	1750 lbs. (794 kg)	1100 lbs. (499 kg)	10,000 lbs. (4536 kg)	8.8 lbs. (4.0 kg)
1SBH18CLH	18" (45.7 cm)	2250 lbs. (1021 kg)	1400 lbs. (635 kg)	10,000 lbs. (4536 kg)	7.5 lbs. (3.4 kg)
1SBH21CLH	21" (53.3 cm)	2000 lbs. (907 kg)	1250 lbs. (567 kg)	10,000 lbs. (4536 kg)	8.1 lbs. (3.7 kg)
1SBH24CLH	24" (61.0 cm)	1750 lbs. (794 kg)	1100 lbs. (499 kg)	10,000 lbs. (4536 kg)	8.8 lbs. (4.0 kg)

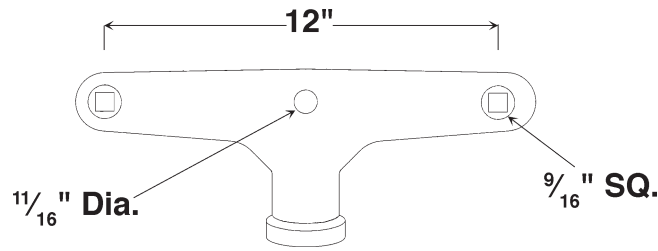
\*Recommended maximum working load is 50% of minimum ultimate ratings listed.

Consult factory for additional lengths.

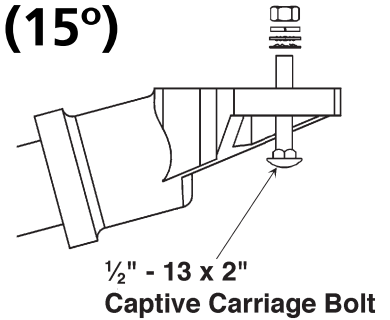
Add "SC" suffix to the end of the catalog number to denote Silicone Coated rod



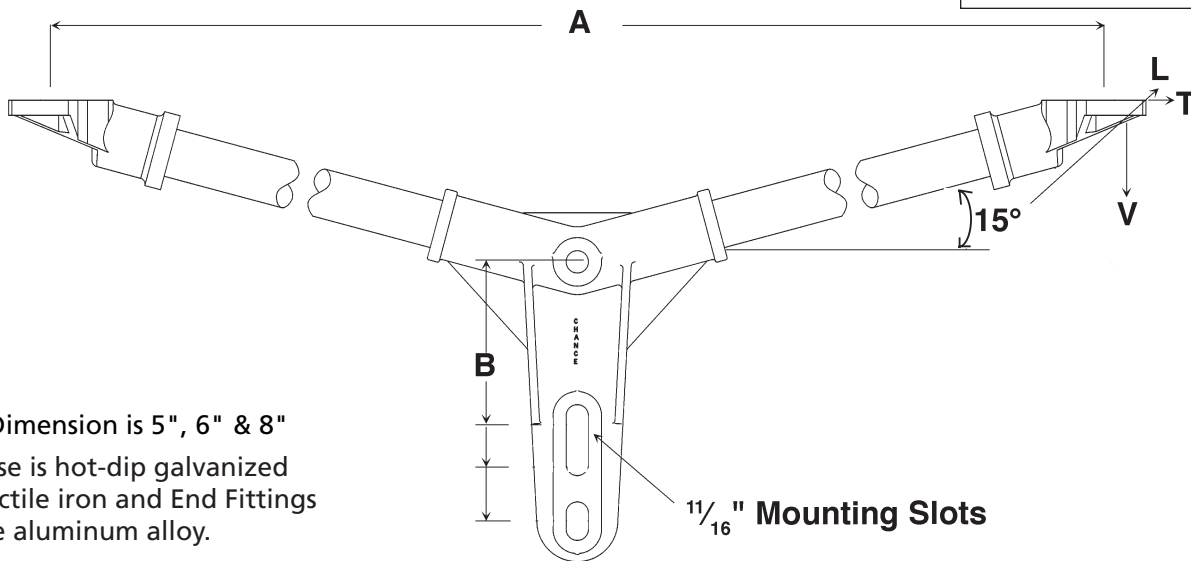
## 2 Position Two-Phase Cutout / Arrester Bracket (15°)



**2SBM—AMT Series**



**2SB—AMTB Series  
includes bolt, nut  
and washers**



**B Dimension is 5", 6" & 8"**  
Base is hot-dip galvanized ductile iron and End Fittings are aluminum alloy.

Catalog Number	Length A	Minimum Ultimate*			Weight (Each)
		Vertical V	Longitudinal L	Transverse T	
<b>Medium Duty 1½" (38 mm) Dia. Fiberglass Rod</b>					
2SBM36AMTAMT	36" (91.4 cm)	1200 lbs. (544 kg)	900 lbs. (408 kg)	10,000 lbs. (4536 kg)	12.6 lbs. (5.7 kg)
2SBM42AMTAMT	42" (106.7 cm)	950 lbs. (431 kg)	700 lbs. (318 kg)	10,000 lbs. (4536 kg)	13.3 lbs. (6.0 kg)
2SBM48AMTAMT	48" (121.9 cm)	900 lbs. (408 kg)	600 lbs. (272 kg)	10,000 lbs. (4536 kg)	14.1 lbs. (6.4 kg)
2SBM36AMTBAMTB	36" (91.4 cm)	1200 lbs. (544 kg)	900 lbs. (408 kg)	10,000 lbs. (4536 kg)	12.6 lbs. (5.7 kg)
2SBM42AMTBAMTB	42" (106.7 cm)	950 lbs. (431 kg)	700 lbs. (318 kg)	10,000 lbs. (4536 kg)	13.3 lbs. (6.0 kg)
2SBM48AMTBAMTB	48" (121.9 cm)	900 lbs. (408 kg)	600 lbs. (272 kg)	10,000 lbs. (4536 kg)	14.1 lbs. (6.4 kg)
<b>Heavy Duty 2" (51 mm) Dia. Fiberglass Rod</b>					
2SBH36AMTAMT	36" (91.4 cm)	2300 lbs. (1043 kg)	1800 lbs. (816 kg)	10,000 lbs. (4536 kg)	20.2 lbs. (9.2 kg)
2SBH42AMTAMT	42" (106.7 cm)	2000 lbs. (907 kg)	1600 lbs. (726 kg)	10,000 lbs. (4536 kg)	21.3 lbs. (9.6 kg)
2SBH48AMTAMT	48" (121.9 cm)	1750 lbs. (794 kg)	1400 lbs. (635 kg)	10,000 lbs. (4536 kg)	23.7 lbs. (10.8 kg)
2SBH36AMTBAMTB	36" (91.4 cm)	2300 lbs. (1043 kg)	1800 lbs. (816 kg)	10,000 lbs. (4536 kg)	20.2 lbs. (9.2 kg)
2SBH42AMTBAMTB	42" (106.7 cm)	2000 lbs. (907 kg)	1600 lbs. (726 kg)	10,000 lbs. (4536 kg)	21.3 lbs. (9.6 kg)
2SBH48AMTBAMTB	48" (121.9 cm)	1750 lbs. (794 kg)	1400 lbs. (635 kg)	10,000 lbs. (4536 kg)	23.7 lbs. (10.8 kg)

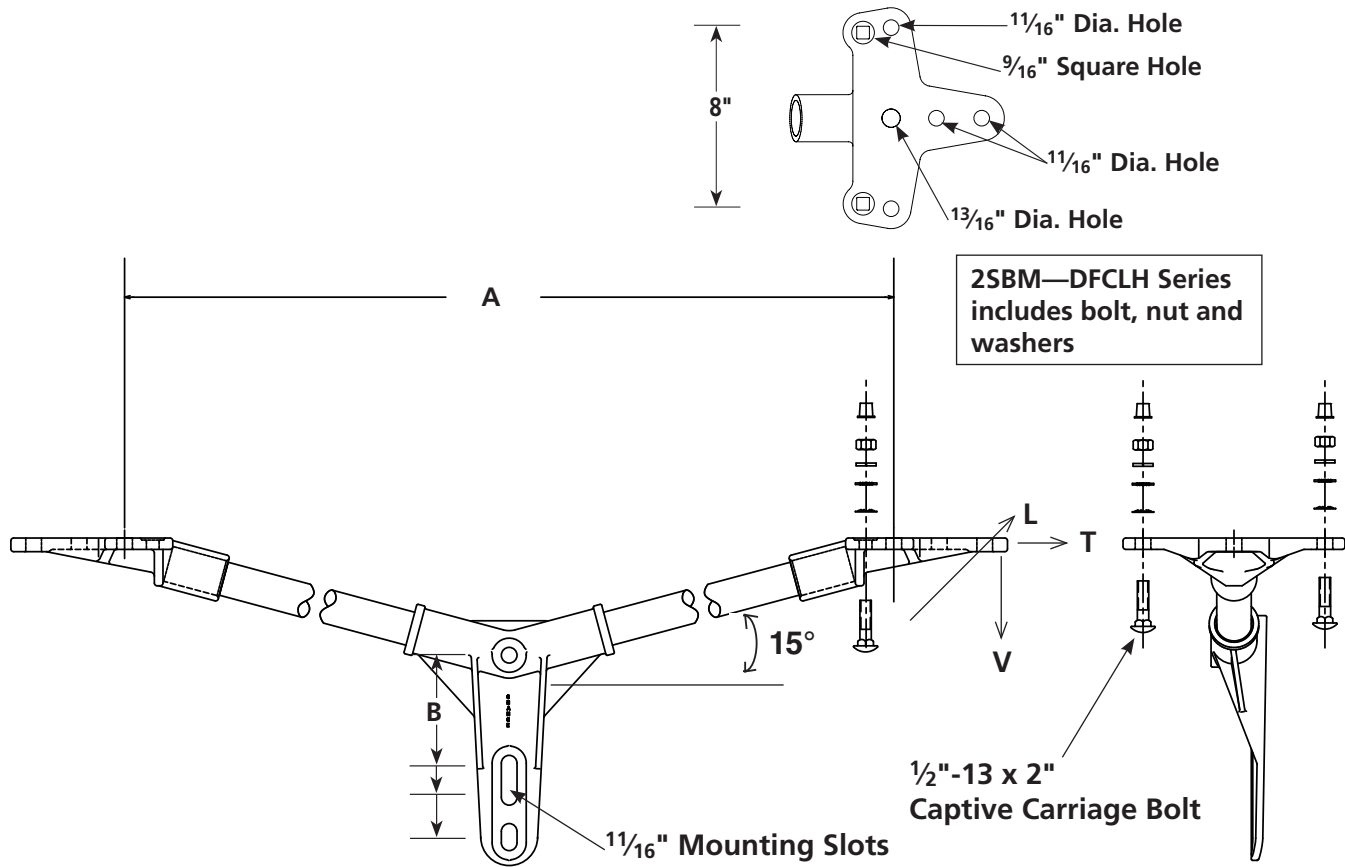
**\*Recommended maximum working load is 50% of minimum ultimate ratings listed.**

*Consult factory for additional lengths.*

*Add "SC" suffix to the end of the catalog number to denote Silicone Coated rod*



# 7-Hole Cloverleaf Two-Phase Cutout / Arrester Bracket (15°)



B Dimension is 5", 6" & 8"  
 Base is hot-dip galvanized ductile iron.  
 End Fittings are aluminum alloy.

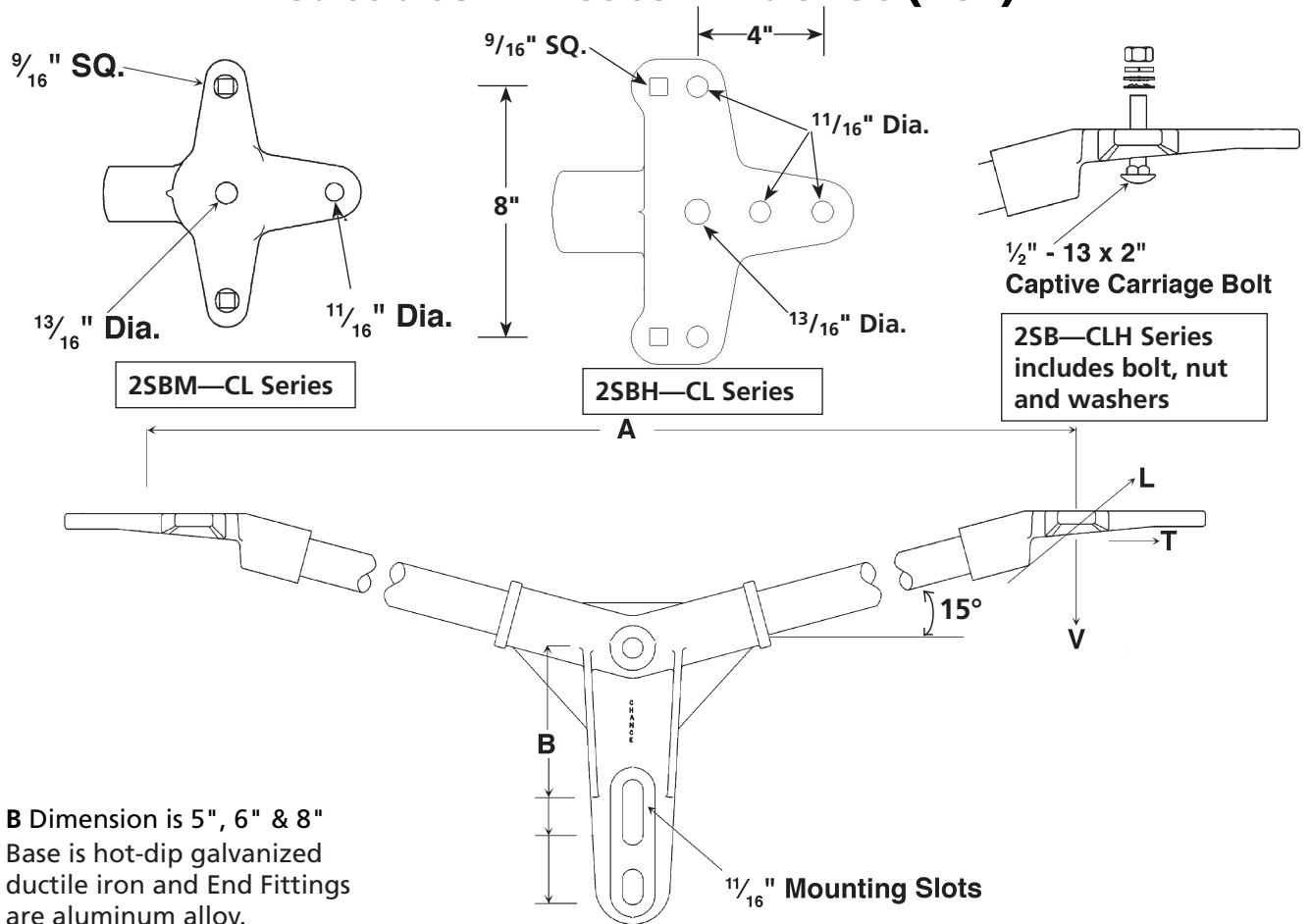
Catalog Number	Length A	Minimum Ultimate*			Weight (Each)
		Vertical V	Longitudinal L	Transverse T	
<b>Medium Duty 1 1/2" (38 mm) Dia. Fiberglass Rod</b>					
2SBM24DFCL	24" (61.0 cm)	1500 lbs. (680 kg)	1100 lbs. (499 kg)	10,000 lbs. (4536 kg)	12.4 lbs. (5.6 kg)
2SBM36DFCL	36" (91.4 cm)	1200 lbs. (544 kg)	900 lbs. (408 kg)	10,000 lbs. (4536 kg)	14.0 lbs. (6.4 kg)
2SBM42DFCL	42" (106.7 cm)	950 lbs. (431 kg)	700 lbs. (318 kg)	10,000 lbs. (4536 kg)	14.8 lbs. (6.7 kg)
2SBM48DFCL	48" (121.9 cm)	900 lbs. (408 kg)	500 lbs. (227 kg)	10,000 lbs. (4536 kg)	15.6 lbs. (7.1 kg)
2SBM24DFCLH	24" (61.0 cm)	1500 lbs. (680 kg)	1100 lbs. (499 kg)	10,000 lbs. (4536 kg)	12.5 lbs. (5.7 kg)
2SBM36DFCLH	36" (91.4 cm)	200 lbs. (544 kg)	900 lbs. (408 kg)	10,000 lbs. (4536 kg)	14.1 lbs. (6.4 kg)
2SBM42DFCLH	42" (106.7 cm)	950 lbs. (431 kg)	700 lbs. (318 kg)	10,000 lbs. (4536 kg)	14.9 lbs. (6.8 kg)
2SBM48DFCLH	48" (121.9 cm)	900 lbs. (408 kg)	500 lbs. (227 kg)	10,000 lbs. (4536 kg)	15.7 lbs. (7.1 kg)

\*Recommended maximum working load is 50% of minimum ultimate ratings listed.  
 Consult factory for additional lengths.  
 Add "SC" suffix to the end of the catalog number to denote Silicone Coated rod





## 3 Position Cloverleaf Two-Phase Cutout / Arrester Bracket (15°)



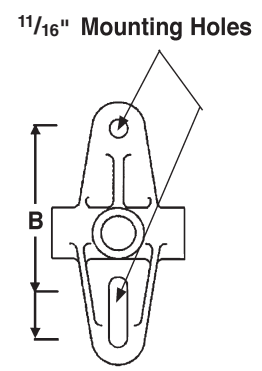
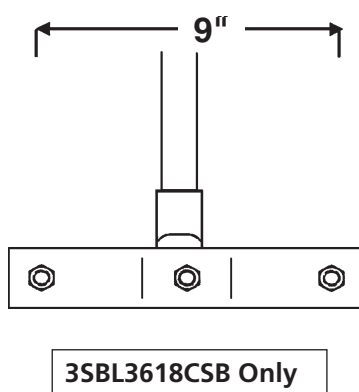
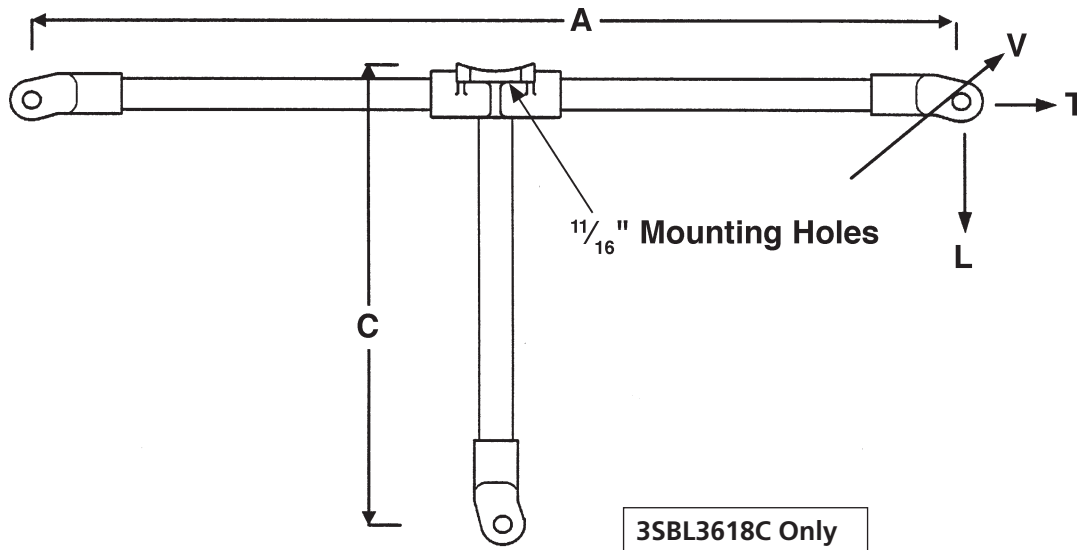
Catalog Number	Length A	Minimum Ultimate*			Weight (Each)
		Vertical V	Longitudinal L	Transverse T	
<b>Medium Duty 1 1/2" (38 mm) Dia. Fiberglass Rod</b>					
2SBM36CLCL	36" (91.4 cm)	1200 lbs. (544 kg)	900 lbs. (408 kg)	10,000 lbs. (4536 kg)	12.6 lbs. (5.7 kg)
2SBM42CLCL	42" (106.7 cm)	950 lbs. (431 kg)	700 lbs. (318 kg)	10,000 lbs. (4536 kg)	13.3 lbs. (6.0 kg)
2SBM48CLCL	48" (121.9 cm)	900 lbs. (408 kg)	500 lbs. (227 kg)	10,000 lbs. (4536 kg)	14.1 lbs. (6.4 kg)
2SBM36CLHCLH	36" (91.4 cm)	1200 lbs. (544 kg)	900 lbs. (408 kg)	10,000 lbs. (4536 kg)	12.6 lbs. (5.7 kg)
2SBM42CLHCLH	42" (106.7 cm)	950 lbs. (431 kg)	700 lbs. (318 kg)	10,000 lbs. (4536 kg)	13.3 lbs. (6.0 kg)
2SBM48CLHCLH	48" (121.9 cm)	900 lbs. (408 kg)	500 lbs. (227 kg)	10,000 lbs. (4536 kg)	14.1 lbs. (6.4 kg)
<b>Heavy Duty 2" (51 mm) Dia. Fiberglass Rod</b>					
2SBH36CLCL	36" (91.4 cm)	2600 lbs. (1179 kg)	1900 lbs. (862 kg)	10,000 lbs. (4536 kg)	20.2 lbs. (9.2 kg)
2SBH42CLCL	42" (106.7 cm)	2400 lbs. (1089 kg)	1900 lbs. (862 kg)	10,000 lbs. (4536 kg)	21.3 lbs. (9.7 kg)
2SBH48CLCL	48" (121.9 cm)	2200 lbs. (998 kg)	1850 lbs. (839 kg)	10,000 lbs. (4536 kg)	23.7 lbs. (10.8 kg)
2SBH36CLHCLH	36" (91.4 cm)	2600 lbs. (1179 kg)	1900 lbs. (862 kg)	10,000 lbs. (4536 kg)	20.2 lbs. (9.2 kg)
2SBH42CLHCLH	42" (106.7 cm)	2400 lbs. (1089 kg)	1900 lbs. (862 kg)	10,000 lbs. (4536 kg)	21.3 lbs. (9.7 kg)
2SBH48CLHCLH	48" (121.9 cm)	2200 lbs. (998 kg)	1850 lbs. (839 kg)	10,000 lbs. (4536 kg)	23.7 lbs. (10.8 kg)

**\*Recommended maximum working load is 50% of minimum ultimate ratings listed.**

Consult factory for additional lengths.

Add "SC" suffix to the end of the catalog number to denote Silicone Coated rod

# 1 (2) Position Three-Phase Cutout / Arrester Bracket (0°)



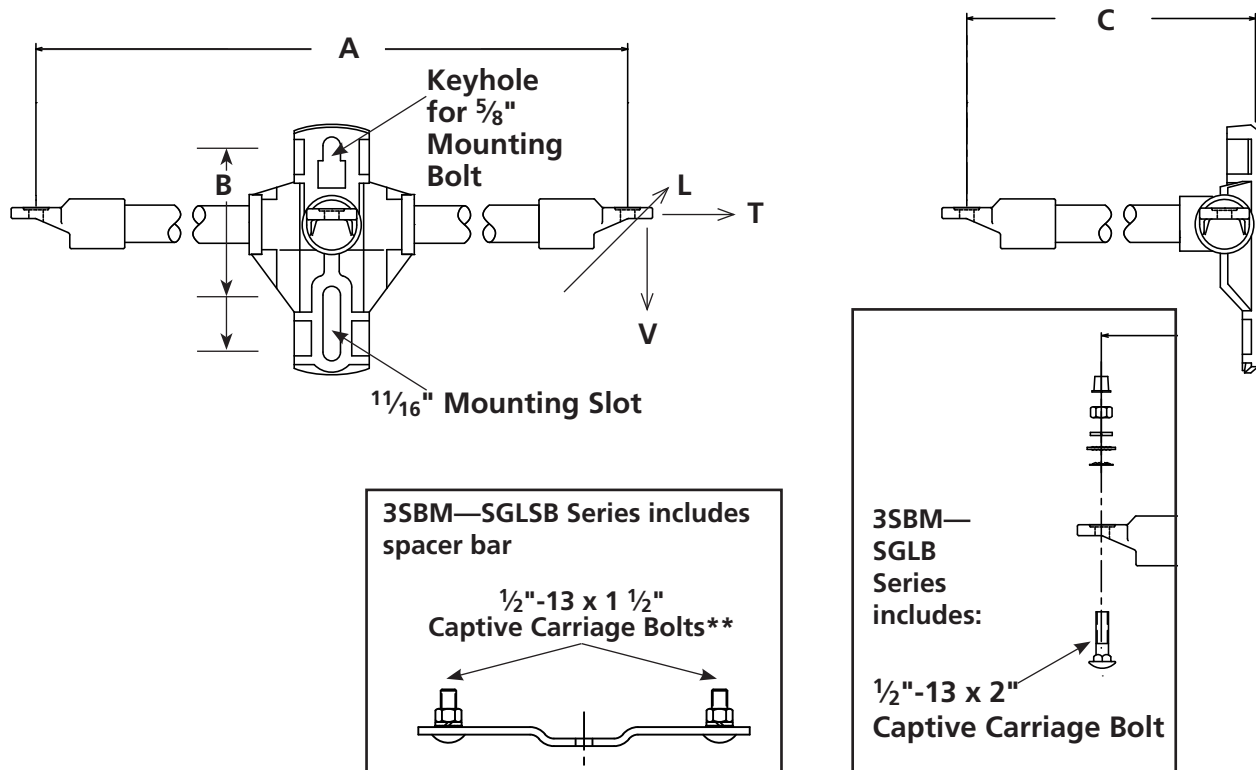
**B Dimension is 6" & 8"**  
Base and End Fittings are aluminum alloy.

Catalog Number	Length A	Length C	Minimum Ultimate*			Weight (Each)
			Vertical V	Longitudinal L	Transverse T	
<b>Light Duty 1 1/4" (32 mm) Dia. Fiberglass Rod</b>						
3SBL3618C	36" (91.4 cm)	18" (45.7 cm)	1000 lbs. (454 kg)	900 lbs. (408 kg)	1000 lbs. (454 kg)	10.0 lbs. (4.5 kg)
3SBL3618CSB	36" (91.4 cm)	18" (45.7 cm)	1000 lbs. (454 kg)	900 lbs. (408 kg)	1000 lbs. (454 kg)	17.5 lbs. (7.9 kg)

\*Recommended maximum working load is 50% of minimum ultimate ratings listed.



# 1 Position Three-Phase Cutout / Arrester Bracket (0°)



B Dimension is 6" & 8"  
 Base design permits bolting or banding to structure.  
 Base is aluminum alloy.  
 End Fittings are hot-dip-galvanized ductile iron.

Catalog Number	Length A	Length C	Minimum Ultimate*			Weight Each
			Vertical V	Longitudinal L	Transverse T	
<b>Medium Duty 1 1/2" (38 mm) Dia. Fiberglass Rod</b>						
3SBM3613SGL	36" (91.4 cm)	13" (33.0 cm)	1200 lb. (544 kg)	800 lb. (363 kg)	5000 lb. (2268 kg)	11.9 lb. (5.4 kg)
3SBM3618SGL	36" (91.4 cm)	18" (45.7 cm)	1200 lb. (544 kg)	800 lb. (363 kg)	5000 lb. (2268 kg)	12.6 lb. (5.7 kg)
3SBM4813SGL	48" (121.9 cm)	13" (33.0 cm)	900 lb. (408 kg)	700 lb. (318 kg)	5000 lb. (2268 kg)	13.5 lb. (6.1 kg)
3SBM4818SGL	48" (121.9 cm)	18" (45.7 cm)	900 lb. (408 kg)	700 lb. (318 kg)	5000 lb. (2268 kg)	14.1 lb. (6.4 kg)
3SBM3613SGLB	36" (91.4 cm)	13" (33.0 cm)	1200 lb. (544 kg)	800 lb. (363 kg)	5000 lb. (2268 kg)	11.9 lb. (5.4 kg)
3SBM3618SGLB	36" (91.4 cm)	18" (45.7 cm)	1200 lb. (544 kg)	800 lb. (363 kg)	5000 lb. (2268 kg)	12.6 lb. (5.7 kg)
3SBM4813SGLB	48" (121.9 cm)	13" (33.0 cm)	900 lb. (408 kg)	700 lb. (318 kg)	5000 lb. (2268 kg)	13.5 lb. (6.1 kg)
3SBM4818SGLB	48" (121.9 cm)	18" (45.7 cm)	900 lb. (408 kg)	700 lb. (318 kg)	5000 lb. (2268 kg)	14.1 lb. (6.4 kg)
3SBM3613SGLSB	36" (91.4 cm)	13" (33.0 cm)	1200 lb. (544 kg)	800 lb. (363 kg)	5000 lb. (2268 kg)	11.9 lb. (5.4 kg)
3SBM3618SGLSB	36" (91.4 cm)	18" (45.7 cm)	1200 lb. (544 kg)	800 lb. (363 kg)	5000 lb. (2268 kg)	12.6 lb. (5.7 kg)
3SBM4813SGLSB	48" (121.9 cm)	13" (33.0 cm)	900 lb. (408 kg)	700 lb. (318 kg)	5000 lb. (2268 kg)	13.5 lb. (6.1 kg)
3SBM4818SGLSB	48" (121.9 cm)	18" (45.7 cm)	900 lb. (408 kg)	700 lb. (318 kg)	5000 lb. (2268 kg)	14.1 lb. (6.4 kg)

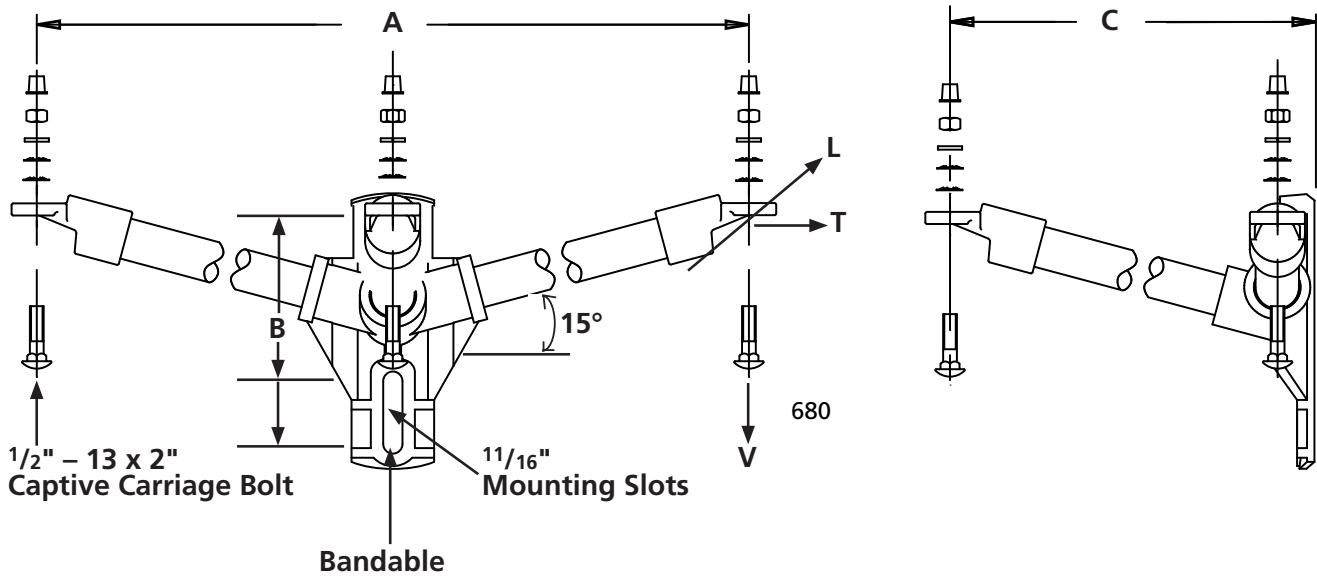
\*Recommended maximum working load is 50% of minimum ultimate ratings listed.

Consult factory for additional lengths.

\*\* (3) Spacer bars included per bracket; shown turned 90° to normal assembled position; may be shipped disassembled from main bracket.

Add "SC" suffix to the end of the catalog number to denote Silicone Coated rod

# 1 Position Three-Phase Cutout / Arrester Bracket (15°)



3SBM—AMB Series includes bolt, nut and washers

B Dimension is 6" & 8"

Base is aluminum alloy and End Fittings are hot-dip galvanized ductile iron.

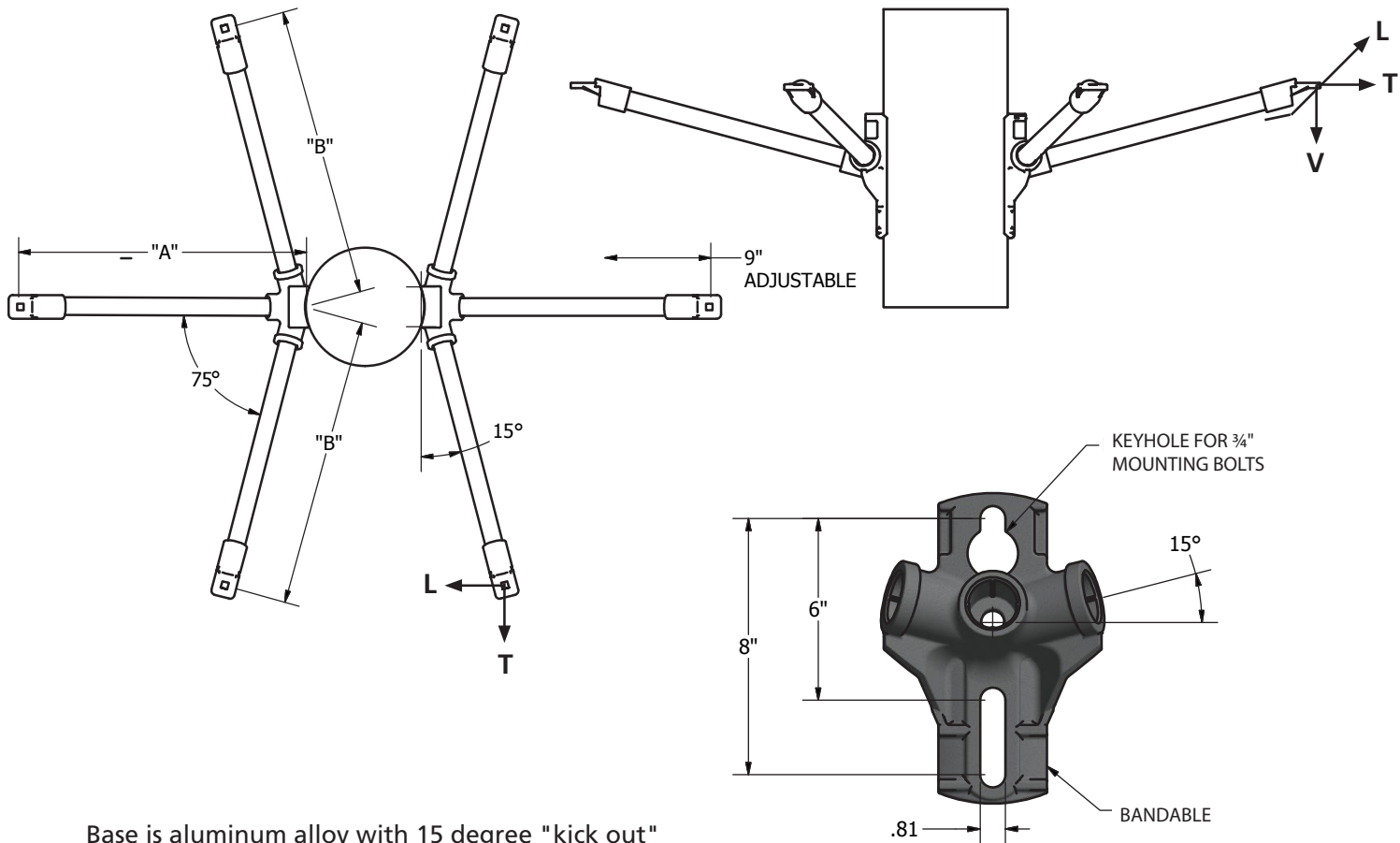
Catalog No.	Length A	Length C	Minimum Ultimate*			Weight (Each)
			Vertical V	Longitudinal L	Transverse T	
<b>Medium Duty 1½" (38 mm) Dia. Fiberglass Rod</b>						
3SBM3613AM	36" (91.4 cm)	13" (33.0 cm)	1200 lbs (544 kg)	800 lbs. (363 kg)	1500 lbs. (680 kg)	11.5 lbs. (5.2 kg)
3SBM3618AM	36" (91.4 cm)	18" (45.7 cm)	1200 lbs (544 kg)	800 lbs. (363 kg)	1500 lbs. (680 kg)	12.2 lbs. (5.5 kg)
3SBM4818AM	48" (121.9 cm)	18" (45.7 cm)	900 lbs. (408 kg)	700 lbs. (318 kg)	1500 lbs. (680 kg)	14.4 lbs. (6.5 kg)
3SBM4824AM	48" (121.9 cm)	24" (61.0 cm)	900 lbs. (408 kg)	700 lbs. (318 kg)	1500 lbs. (680 kg)	15.2 lbs. (6.9 kg)
3SBM3613AMB	36" (91.4 cm)	13" (33.0 cm)	1200 lbs (544 kg)	800 lbs. (363 kg)	1500 lbs. (680 kg)	12.0 lbs. (5.4 kg)
3SBM3618AMB	36" (91.4 cm)	18" (45.7 cm)	1200 lbs (544 kg)	800 lbs. (363 kg)	1500 lbs. (680 kg)	12.7 lbs. (5.8 kg)
3SBM4818AMB	48" (121.9 cm)	18" (45.7 cm)	900 lbs. (408 kg)	700 lbs. (318 kg)	1500 lbs. (680 kg)	14.9 lbs. (6.8 kg)
3SBM4824AMB	48" (121.9 cm)	24" (61.0 cm)	900 lbs. (408 kg)	700 lbs. (318 kg)	1500 lbs. (680 kg)	15.7 lbs. (7.1 kg)

\*Recommended maximum working load is 50% of minimum ultimate ratings listed.

Consult factory for additional lengths.

Add "SC" suffix to the end of the catalog number to denote Silicone Coated rod

# 1 (2) Position Three-Phase Cutout / Arrester Bracket (15°)



Base is aluminum alloy with 15 degree "kick out"  
End Fittings are HDG ductile iron.

Catalog Number	Length A	Length B	Minimum Ultimate*			Weight (Each)
			Vertical V	Longitudinal L	Transverse T	
<b>Medium Duty 1½" (38 mm) Dia. Fiberglass Rod</b>						
3SBMF2424AM	24" (61.0 cm)	24" (61.0 cm)	900 LBS. (408 kg)	700 lbs. (317 kg)	1500 lbs (680 kg)	18.6 lbs (8.4 kg)
3SBMF2424AMB	24" (61.0 cm)	24" (61.0 cm)	900 LBS. (408 kg)	700 lbs. (317 kg)	1500 lbs (680 kg)	18.6 lbs (8.4 kg)

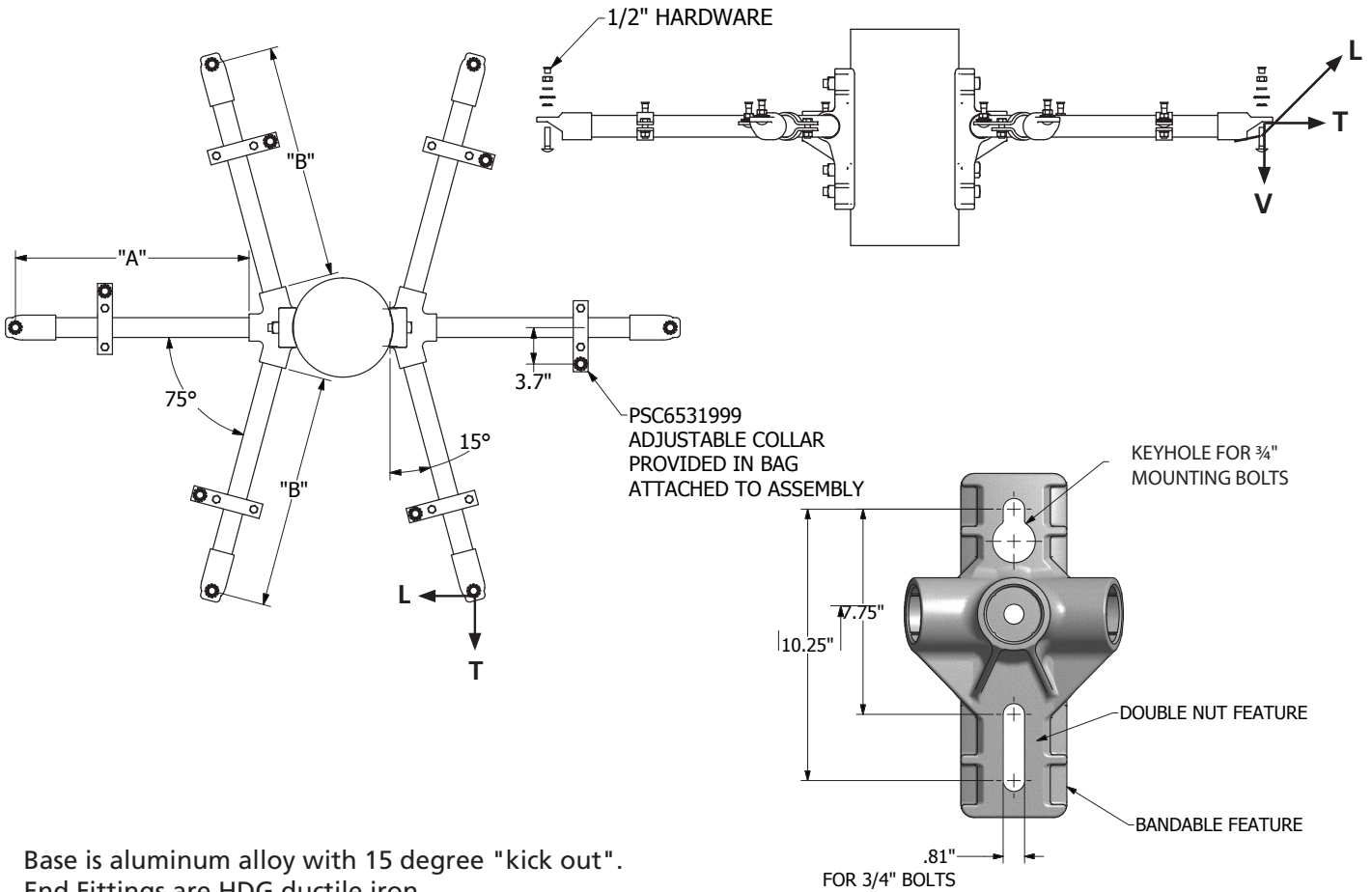
**\*Recommended maximum working load is 50% of minimum ultimate ratings listed.**

*Consult factory for additional lengths and end fitting options.*

"B" suffix indicates bolts, nuts & washers are included.

*Add "SC" suffix to the end of the catalog number to denote Silicone Coated rod*

# 1 (2) Position Three-Phase Cutout / Arrester Bracket (0°)



Base is aluminum alloy with 15 degree "kick out".  
End Fittings are HDG ductile iron.

Catalog Number	Description	Length A & Length B	Minimum Ultimate*			Weight (Each)
			Vertical V	Longitudinal L	Transverse T	
<b>Heavy Duty 2" (51 mm) Dia. Fiberglass Rod</b>						
3SBHF2424SGL	Bracket Only	24" (61.0 cm)	1650 lbs. (748 kg)	1100 lbs. (499 kg)	10,000 lbs. (4536 kg)	31.3 lbs. (14.2 kg)
3SBHF2424SGLB	Bracket with hardware, no arrester collars	24" (61.0 cm)	1650 lbs. (748 kg)	1100 lbs. (499 kg)	10,000 lbs. (4536 kg)	31.9 lbs. (14.5 kg)
3SBHF2424SGLA2	Bracket with arrester collars, no hardware	24" (61.0 cm)	1650 lbs. (748 kg)	1100 lbs. (499 kg)	10,000 lbs. (4536 kg)	36.9 lbs. (16.7 kg)
3SBHF2424SGLBA2	Bracket with hardware and arrester collars	24" (61.0 cm)	1650 lbs. (748 kg)	1100 lbs. (499 kg)	10,000 lbs. (4536 kg)	37.5 lbs. (17.0 kg)
3SBHF2424SGLSB	Bracket with spacer bars	24" (61.0 cm)	1650 lbs. (748 kg)	1100 lbs. (499 kg)	10,000 lbs. (4536 kg)	40.3 lbs. (18.3 kg)

**\*Recommended maximum working load is 50% of minimum ultimate ratings listed.**

Consult factory for additional lengths and end fitting options.

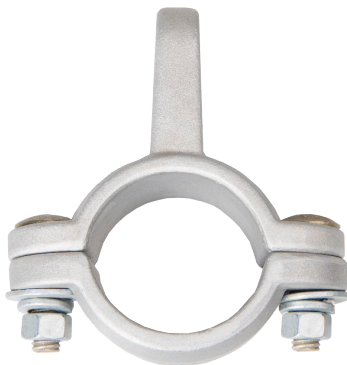
"B" suffix indicates bolts, nuts & washers are included.

"A2" suffix indicates 3 PSC6531999 2" Arrester mounting collars are included.

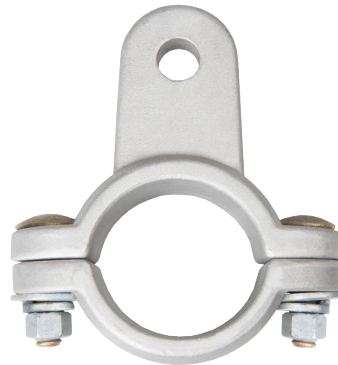


## Accessories

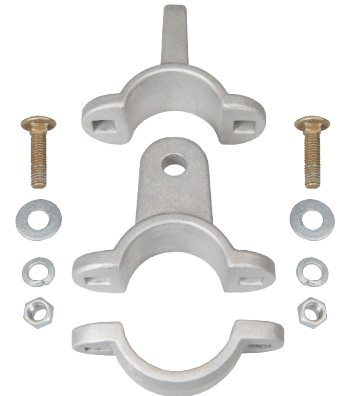
### Arrester Collar for 2" Zero Degree Fiberglass Standoff Bracket



Arrester Collar  
for Vertical Mounting



Arrester Collar  
for Horizontal Mounting

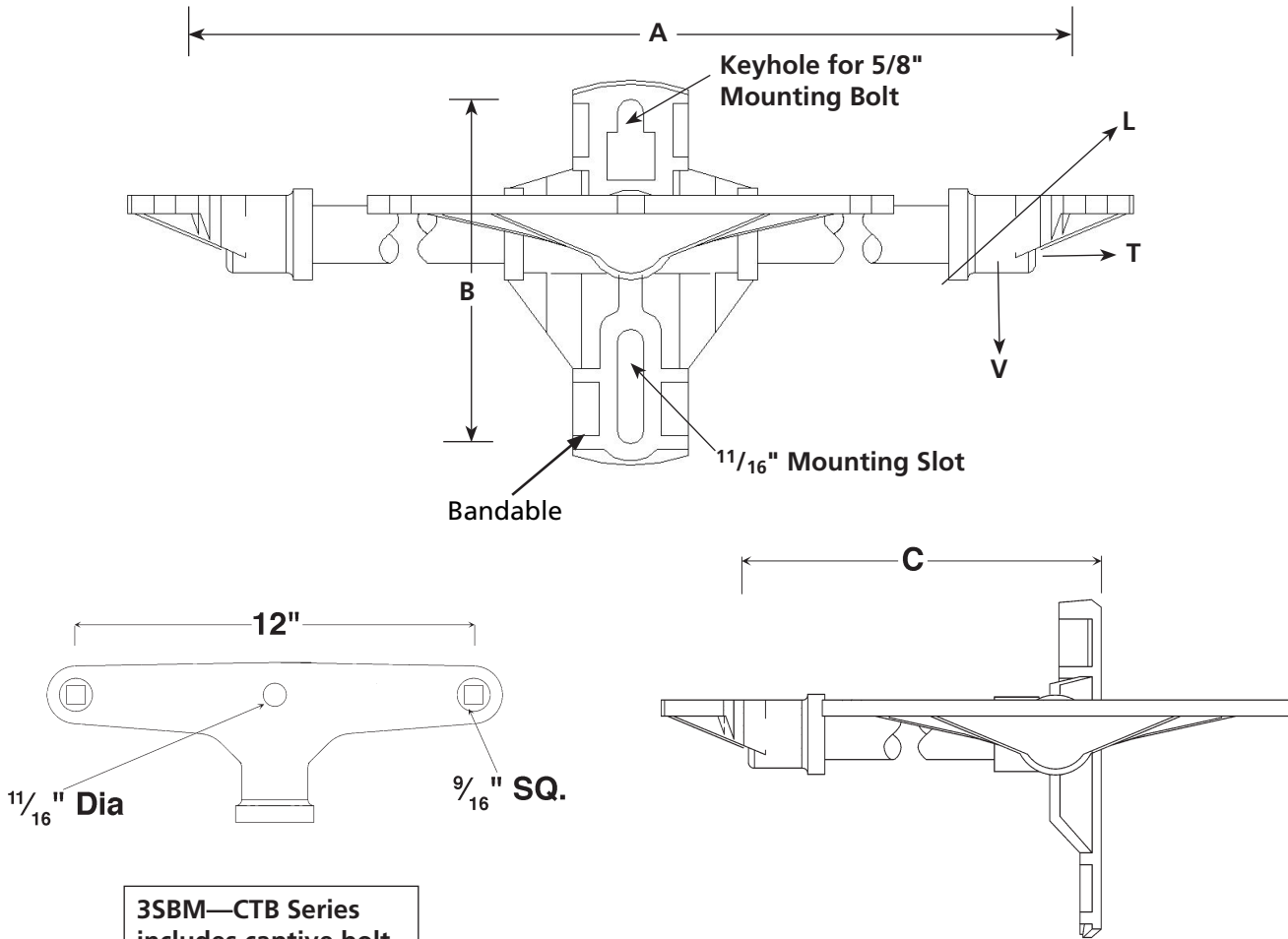


Set for either  
mounting configuration

Cast Aluminum Alloy  
Galvanized Steel Hardware  
For mounting arresters on HD 2" diameter Chance Fiberglass equipment mount standoff brackets

Catalog Number	Description	Bracket Angle Degrees	Weight (each)
PSC6532019	CHANCE Arrester Collar, Vertical Mount	0	.88 lbs
PSC6532020	CHANCE Arrester Collar, Horizontal Mount	0	.89 lbs
PSC6532021	CHANCE Arrester Collar, Horizontal & Vertical Set	0	1.03 lbs

## 2 Position Three-Phase Cutout / Arrester Bracket (0°)



**3SBM—CTB Series  
includes captive bolt,  
nut and washers**

**B Dimension is 6" & 8"**  
Base and End Fittings are aluminum alloy.

Catalog Number	Length A	Length C	Minimum Ultimate*			Weight (Each)
			Vertical V	Longitudinal L	Transverse T	
<b>Medium Duty 1½" (38 mm) Dia. Fiberglass Rod</b>						
3SBM3613CT	36" (91.4 cm)	13" (33.0 cm)	1200 lbs. (544 kg)	900 lbs. (408 kg)	10,000 lbs. (4500 kg)	20 lbs. (9.1 kg)
3SBM3618CT	36" (91.4 cm)	18" (45.7 cm)	1200 lbs. (544 kg)	900 lbs. (408 kg)	10,000 lbs. (4500 kg)	22 lbs. (10.0 kg)
3SBM4813CT	48" (121.9 cm)	13" (33.0 cm)	900 lbs. (408 kg)	700 lbs. (318 kg)	10,000 lbs. (4500 kg)	23 lbs. (10.4 kg)
3SBM4818CT	48" (121.9 cm)	18" (45.7 cm)	900 lbs. (408 kg)	700 lbs. (318 kg)	10,000 lbs. (4500 kg)	25 lbs. (11.3 kg)
3SBM3613CTB	36" (91.4 cm)	13" (33.0 cm)	1200 lbs. (544 kg)	900 lbs. (408 kg)	10,000 lbs. (4500 kg)	20 lbs. (9.0 kg)
3SBM3618CTB	36" (91.4 cm)	18" (45.7 cm)	1200 lbs. (544 kg)	900 lbs. (408 kg)	10,000 lbs. (4500 kg)	22 lbs. (10.0 kg)
3SBM4813CTB	48" (121.9 cm)	13" (33.0 cm)	900 lbs. (408 kg)	700 lbs. (318 kg)	10,000 lbs. (4500 kg)	23 lbs. (10.4 kg)
3SBM4818CTB	48" (121.9 cm)	18" (45.7 cm)	900 lbs. (408 kg)	700 lbs. (318 kg)	10,000 lbs. (4500 kg)	25 lbs. (11.3 kg)

**\*Recommended maximum working load is 50% of minimum ultimate ratings listed.**

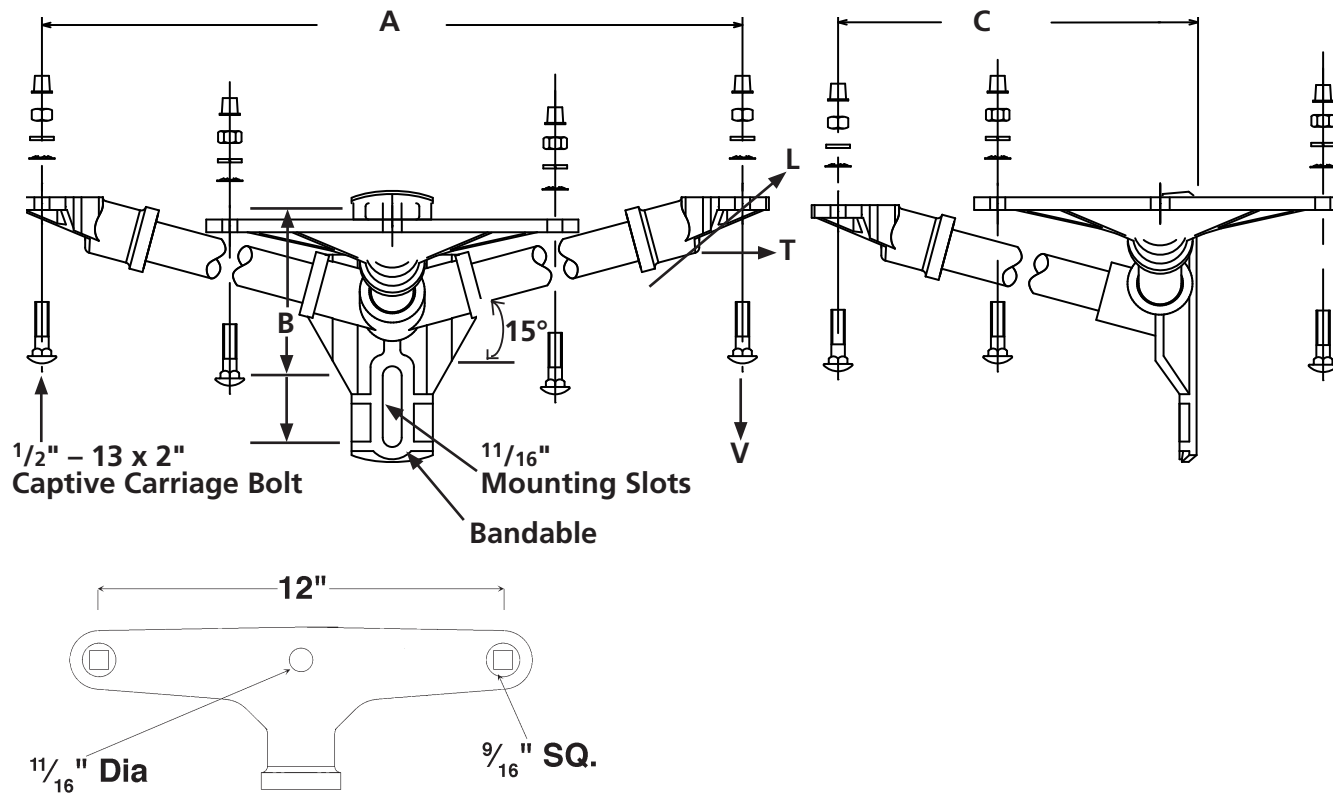
Consult factory for additional lengths.

Add "SC" suffix to the end of the catalog number to denote Silicone Coated rod





## 2 Position Three-Phase Cutout / Arrester Bracket (15°)



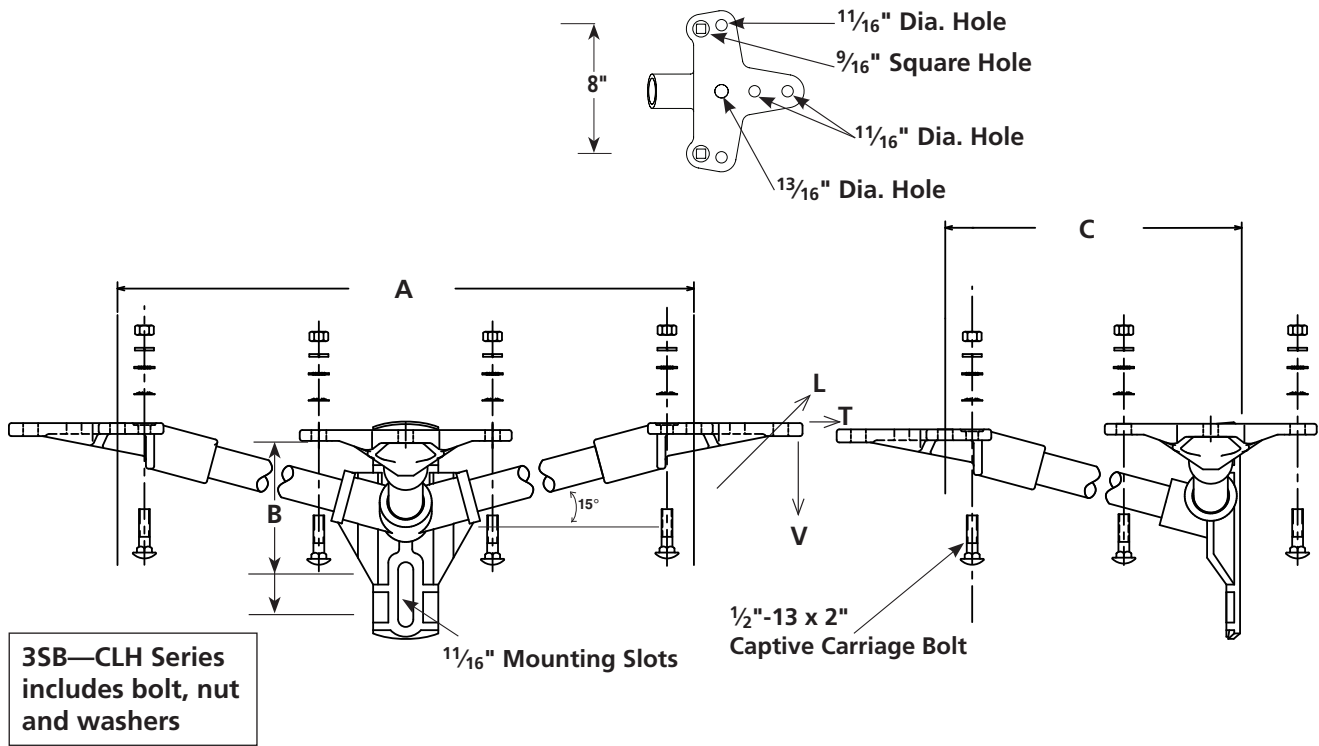
3SBM—AMTB Series  
includes bolt, nut  
and washers

B Dimension is 6" & 8"  
Base and End Fittings are aluminum alloy.

Catalog Number	Length A	Length C	Minimum Ultimate*			Weight (Each)
			Vertical V	Longitudinal L	Transverse T	
<b>Medium Duty 1½" (38 mm) Dia. Fiberglass Rod</b>						
3SBM3613AMT	36" (91.4 cm)	13" (33.0 cm)	1200 lbs (544 kg)	800 lbs. (363 kg)	10,000 lbs. (4500 kg)	19.6 lbs. (8.9 kg)
3SBM3618AMT	36" (91.4 cm)	18" (45.7 cm)	1200 lbs (544 kg)	800 lbs. (363 kg)	10,000 lbs. (4500 kg)	20.3 lbs. (9.2 kg)
3SBM4818AMT	48" (121.9 cm)	18" (45.7 cm)	900 lbs. (408 kg)	700 lbs. (318 kg)	10,000 lbs. (4500 kg)	22.5 lbs. (10.2 kg)
3SBM4824AMT	48" (121.9 cm)	24" (61.0 cm)	900 lbs. (408 kg)	700 lbs. (318 kg)	10,000 lbs. (4500 kg)	23.3 lbs. (10.7 kg)
3SBM3613AMTB	36" (91.4 cm)	13" (33.0 cm)	1200 lbs (544 kg)	800 lbs. (363 kg)	10,000 lbs. (4500 kg)	20.1 lbs. (9.1 kg)
3SBM3618AMTB	36" (91.4 cm)	18" (45.7 cm)	1200 lbs (544 kg)	800 lbs. (363 kg)	10,000 lbs. (4500 kg)	20.8 lbs. (9.4 kg)
3SBM4818AMTB	48" (121.9 cm)	18" (45.7 cm)	900 lbs. (408 kg)	700 lbs. (318 kg)	10,000 lbs. (4500 kg)	23.0 lbs. (10.4 kg)
3SBM4824AMTB	48" (121.9 cm)	24" (61.0 cm)	900 lbs. (408 kg)	700 lbs. (318 kg)	10,000 lbs. (4500 kg)	23.8 lbs. (10.8 kg)

\*Recommended maximum working load is 50% of minimum ultimate ratings listed.  
Consult factory for additional lengths.  
Add "SC" suffix to the end of the catalog number to denote Silicone Coated rod

# 7-Hole Cloverleaf Three-Phase Cutout / Arrester Bracket (15°)



Base design permits bolting or banding to structure.

Base is aluminum alloy.

**B** Dimension is 6" & 8"

Base and End Fittings are aluminum alloy.

Catalog Number	Length A	Length C	Minimum Ultimate*			Weight (Each)
			Vertical V	Longitudinal L	Transverse T	
<b>Medium Duty 1 1/2" (38 mm) Dia. Fiberglass Rod</b>						
3SBM3613DFCL	36" (91.4 cm)	13" (33.0 cm)	1200 lb. (544 kg)	800 lb. (363 kg)	10,000 lb. (4536 kg)	15.1 lb. (6.8 kg)
3SBM3618DFCL	36" (91.4 cm)	18" (45.7 cm)	1200 lb. (544 kg)	800 lb. (363 kg)	10,000 lb. (4536 kg)	15.6 lb. (7.1 kg)
3SBM4813DFCL	48" (121.9 cm)	13" (33.0 cm)	900 lb. (408 kg)	800 lb. (363 kg)	10,000 lb. (4536 kg)	16.6 lb. (7.5 kg)
3SBM4818DFCL	48" (121.9 cm)	18" (45.7 cm)	900 lb. (408 kg)	800 lb. (363 kg)	10,000 lb. (4536 kg)	17.2 lb. (7.8 kg)
3SBM4824DFCL	48" (121.9 cm)	24" (61.0 cm)	900 lb. (408 kg)	700 lb. (318 kg)	10,000 lb. (4536 kg)	18.1 lb. (8.2 kg)
3SBM3613DFCLH	36" (91.4 cm)	13" (33.0 cm)	1200 lb. (544 kg)	800 lb. (363 kg)	10,000 lb. (4536 kg)	15.1 lb. (6.8 kg)
3SBM3618DFCLH	36" (91.4 cm)	18" (45.7 cm)	1200 lb. (544 kg)	800 lb. (363 kg)	10,000 lb. (4536 kg)	15.7 lb. (7.1 kg)
3SBM4813DFCLH	48" (121.9 cm)	13" (33.0 cm)	900 lb. (408 kg)	800 lb. (363 kg)	10,000 lb. (4536 kg)	16.7 lb. (7.6 kg)
3SBM4818DFCLH	48" (121.9 cm)	18" (45.7 cm)	900 lb. (408 kg)	800 lb. (363 kg)	10,000 lb. (4536 kg)	17.3 lb. (7.8 kg)
3SBM4824DFCLH	48" (121.9 cm)	24" (61.0 cm)	900 lb. (408 kg)	700 lb. (318 kg)	10,000 lb. (4536 kg)	18.2 lb. (8.3 kg)

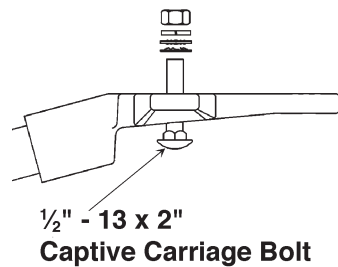
**\*Recommended maximum working load is 50% of minimum ultimate ratings listed.**

*Consult factory for additional lengths.*

*Add "SC" suffix to the end of the catalog number to denote Silicone Coated rod*

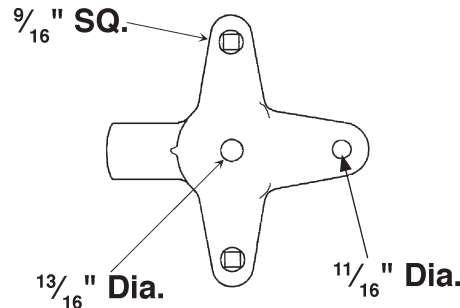


### 3 Position Cloverleaf Three-Phase Cutout / Arrester Bracket (15°)

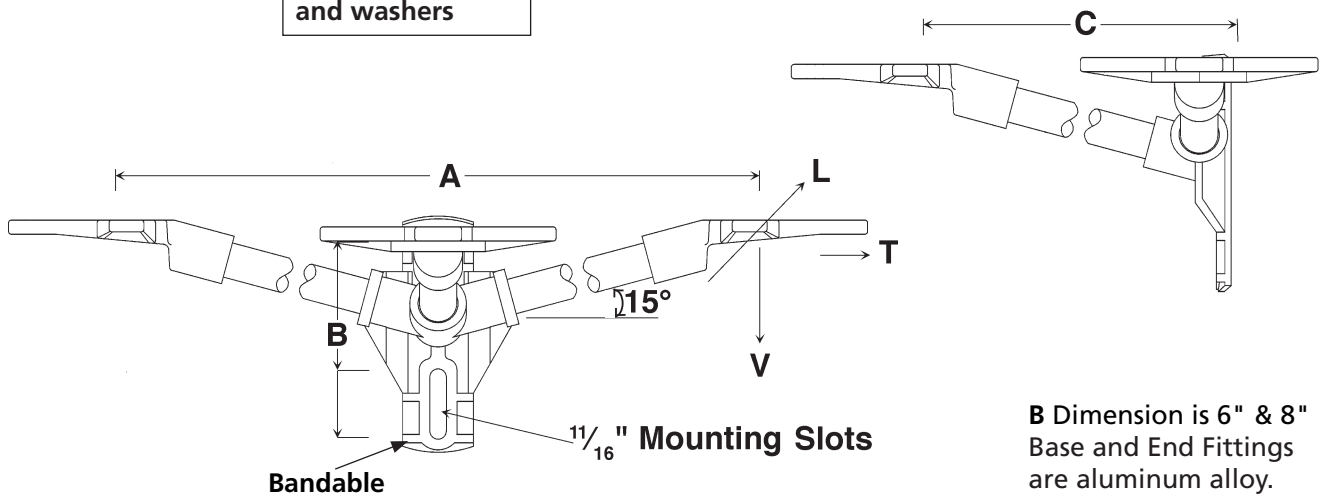


1/2" - 13 x 2"  
Captive Carriage Bolt

3SB—CLH Series  
includes bolt, nut  
and washers



3SBM—CL Series



B Dimension is 6" & 8"  
Base and End Fittings  
are aluminum alloy.

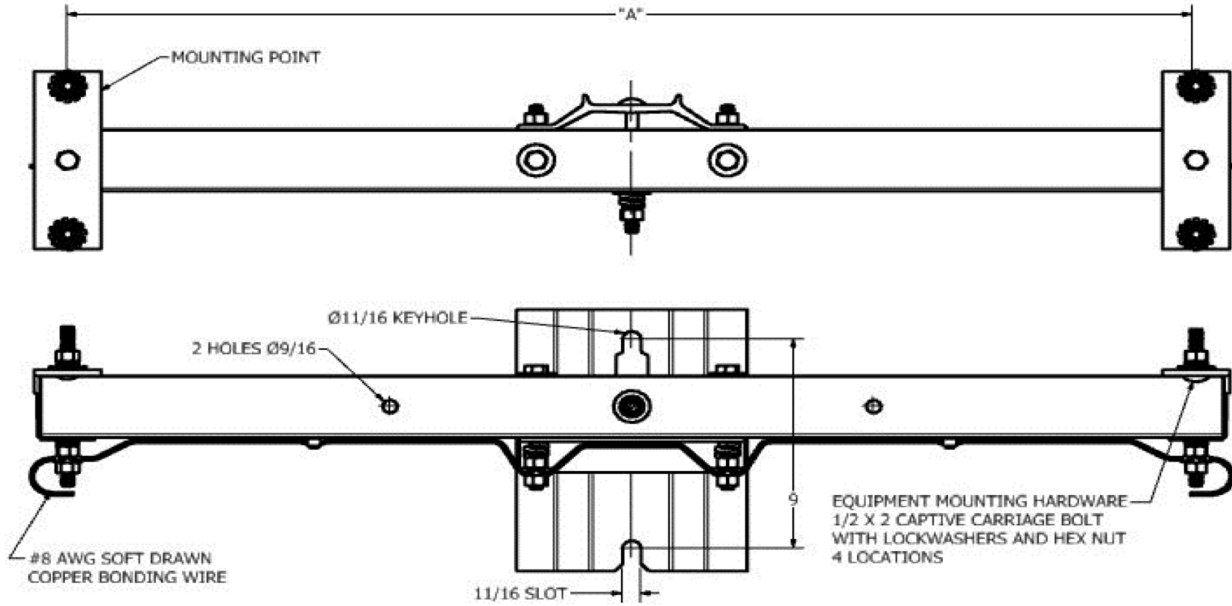
Catalog Number	Length A	Length C	Minimum Ultimate*			Weight (Each)
			Vertical V	Longitudinal L	Transverse T	
<b>Medium Duty 1 1/2" (38 mm) Dia. Fiberglass Rod</b>						
3SBM3613CL	36" (91.4 cm)	13" (33.0 cm)	1200 lbs. (544 kg)	800 lbs. (363 kg)	10,000 lbs. (4536 kg)	20 lbs. (9.1 kg)
3SBM3618CL	36" (91.4 cm)	18" (45.7 cm)	1200 lbs. (544 kg)	800 lbs. (363 kg)	10,000 lbs. (4536 kg)	22 lbs. (9.9 kg)
3SBM4818CL	48" (121.9 cm)	18" (45.7 cm)	900 lbs. (408 kg)	800 lbs. (363 kg)	10,000 lbs. (4536 kg)	25 lbs. (11.3 kg)
3SBM3613CLRH	36" (91.4 cm)	13" (33.0 cm)	1200 lbs. (544 kg)	800 lbs. (363 kg)	10,000 lbs. (4536 kg)	20 lbs. (9.1 kg)
3SBM3618CLRH	36" (91.4 cm)	18" (45.7 cm)	1200 lbs. (544 kg)	800 lbs. (363 kg)	10,000 lbs. (4536 kg)	22 lbs. (9.9 kg)
3SBM4818CLRH	48" (121.9 cm)	18" (45.7 cm)	900 lbs. (408 kg)	800 lbs. (363 kg)	10,000 lbs. (4536 kg)	25 lbs. (11.3 kg)
3SBM3613CLH	36" (91.4 cm)	13" (33.0 cm)	1200 lbs. (544 kg)	800 lbs. (363 kg)	10,000 lbs. (4536 kg)	20 lbs. (9.1 kg)
3SBM3618CLH	36" (91.4 cm)	18" (45.7 cm)	1200 lbs. (544 kg)	800 lbs. (363 kg)	10,000 lbs. (4536 kg)	22 lbs. (9.9 kg)
3SBM4818CLH	48" (121.9 cm)	18" (45.7 cm)	900 lbs. (408 kg)	800 lbs. (363 kg)	10,000 lbs. (4536 kg)	25 lbs. (11.3 kg)

\*Recommended maximum working load is 50% of minimum ultimate ratings listed.

Consult factory for additional lengths.

Add "SC" suffix to the end of the catalog number to denote Silicone Coated rod

# Fiberglass Cutout / Arrester Bracket



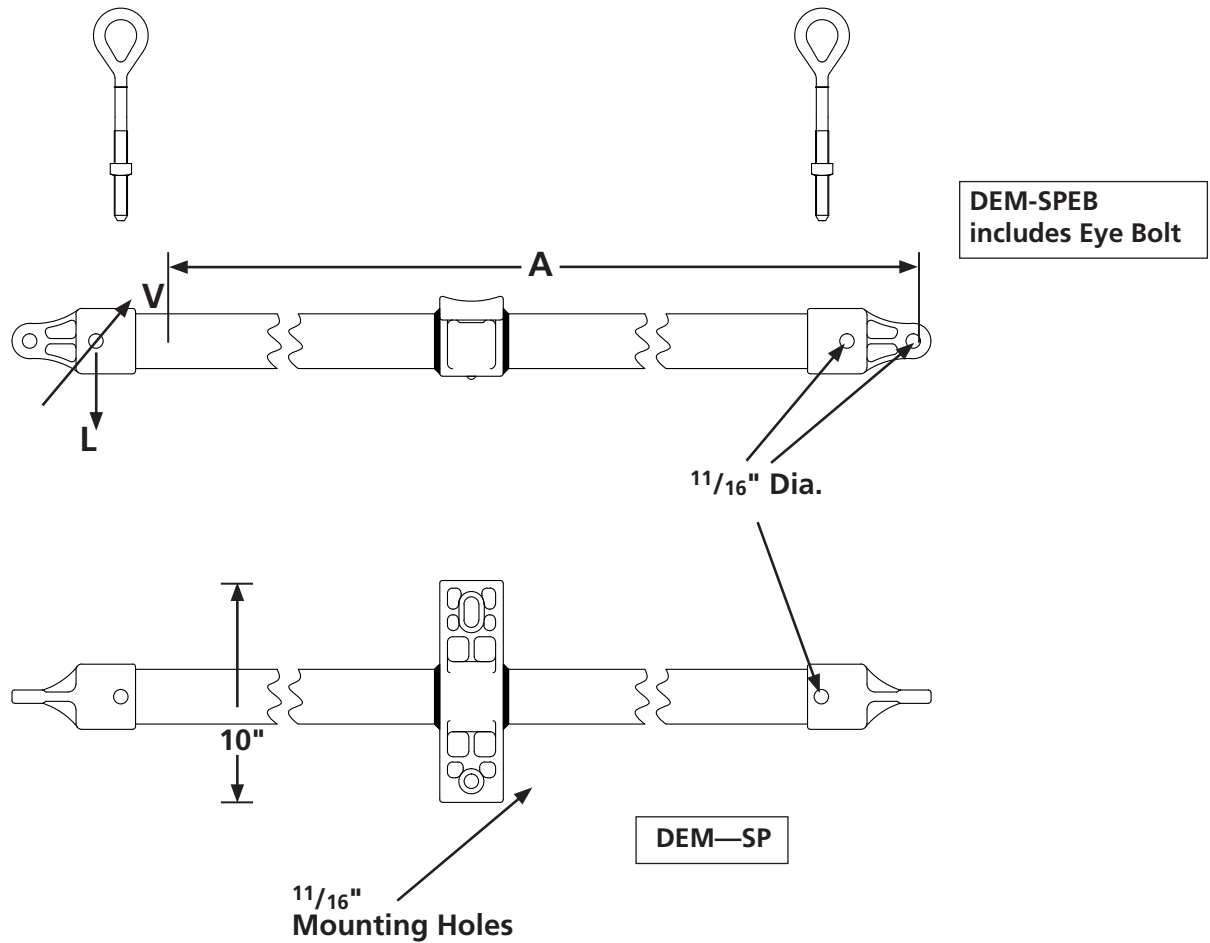
Base and mounting points are aluminum alloy

Catalog Number	2.65" x 2.65" Tube O.D.		Minimum Ultimate*		Bond Wire	Weight (Each)
	Arm Length (A)	Mounting Points	Balanced Load	Unbalanced Load		
CW2CA44FQGFG	44"	2	4720	970	Yes	21 lbs. (9.5 kg)
CW3CA92FG	92"	3	2100	480	Yes	31 lbs. (14.1 kg)
CW3CA92DNHFG	92"	3	2100	480	No	30 lbs. (13.6 kg)
CW4CA726FG	74"	4	3000	950	No	27 lbs. (12.2 kg)
CW4CA726FGBW	74"	4	3000	950	Yes	28 lbs. (12.7 kg)

**\*Recommended maximum working load is 50% of minimum ultimate ratings listed.**  
 Consult factory for additional lengths and end fitting options.



# Medium Duty Deadend Arms

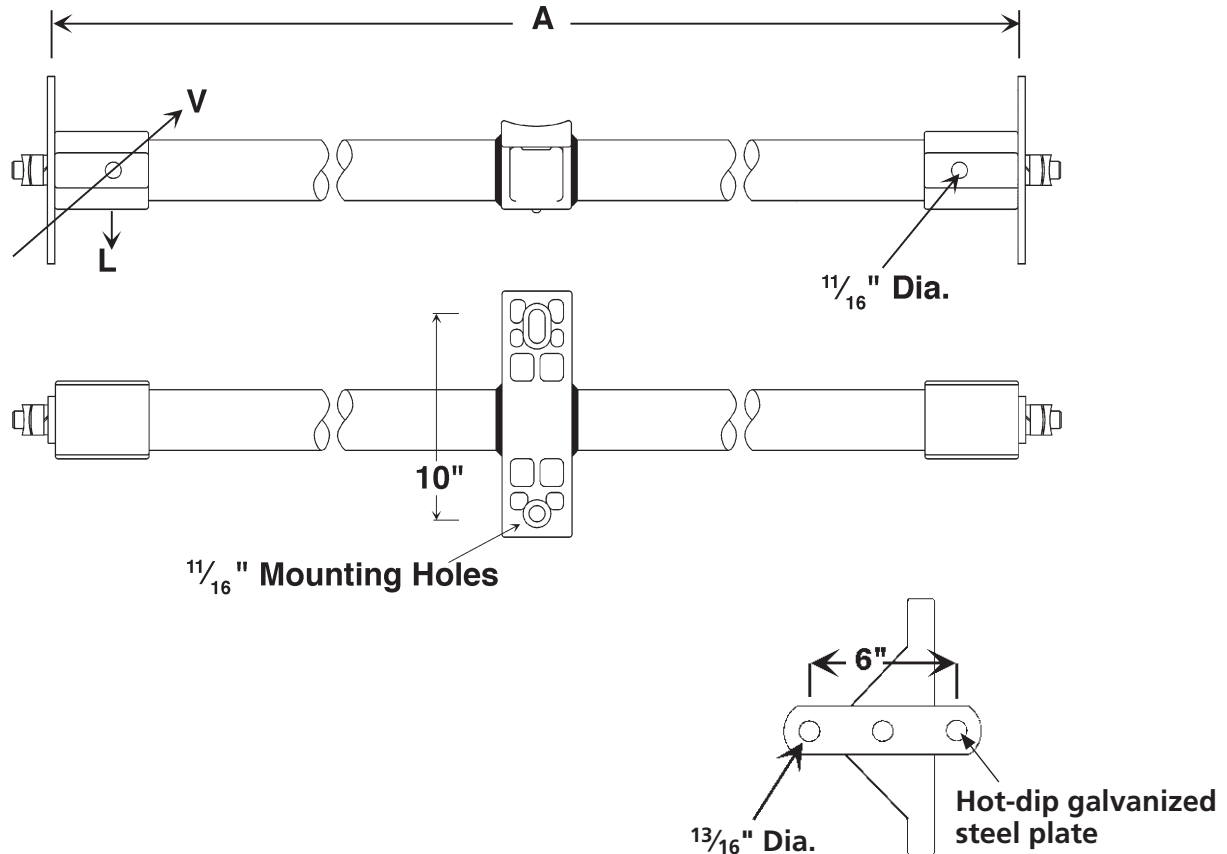


Base and End Fittings are aluminum alloy.

Catalog Number	Length A	Minimum Ultimate* (Balanced)		Weight (Each)
		Vertical V	Longitudinal L	
<b>Medium Duty 2½" (63.5 mm) Dia. Fiberglass Rod</b>				
DEM36SP	36" (91.4 cm)	6000 lbs. (2722 kg)	7500 lbs. (3402 kg)	18.7 lbs. (8.4 kg)
DEM42SP	42" (106.7 cm)	5200 lbs. (2359 kg)	6500 lbs. (2948 kg)	20.7 lbs. (9.4 kg)
DEM48SP	48" (121.9 cm)	4400 lbs. (1996 kg)	5500 lbs. (2495 kg)	22.8 lbs. (10.3 kg)
DEM54SP	54" (137.2 cm)	3440 lbs. (1560 kg)	4300 lbs. (1950 kg)	24.8 lbs. (11.2 kg)
DEM60SP	60" (152.4 cm)	2400 lbs. (1089 kg)	3000 lbs. (1361 kg)	26.8 lbs. (12.2 kg)
DEM36SPEB	36" (91.4 cm)	6000 lbs. (2722 kg)	7500 lbs. (3402 kg)	18.7 lbs. (8.4 kg)
DEM42SPEB	42" (106.7 cm)	5200 lbs. (2359 kg)	6500 lbs. (2948 kg)	20.7 lbs. (9.4 kg)
DEM48SPEB	48" (121.9 cm)	4400 lbs. (1996 kg)	5500 lbs. (2495 kg)	22.8 lbs. (10.3 kg)
DEM54SPEB	54" (137.2 cm)	3440 lbs. (1560 kg)	4300 lbs. (1950 kg)	24.8 lbs. (11.2 kg)
DEM60SPEB	60" (152.4 cm)	2400 lbs. (1089 kg)	3000 lbs. (1361 kg)	26.8 lbs. (12.2 kg)

\*Recommended maximum working load is 50% of minimum ultimate ratings listed.  
Consult factory for additional lengths.

# Medium Duty Deadend Arms



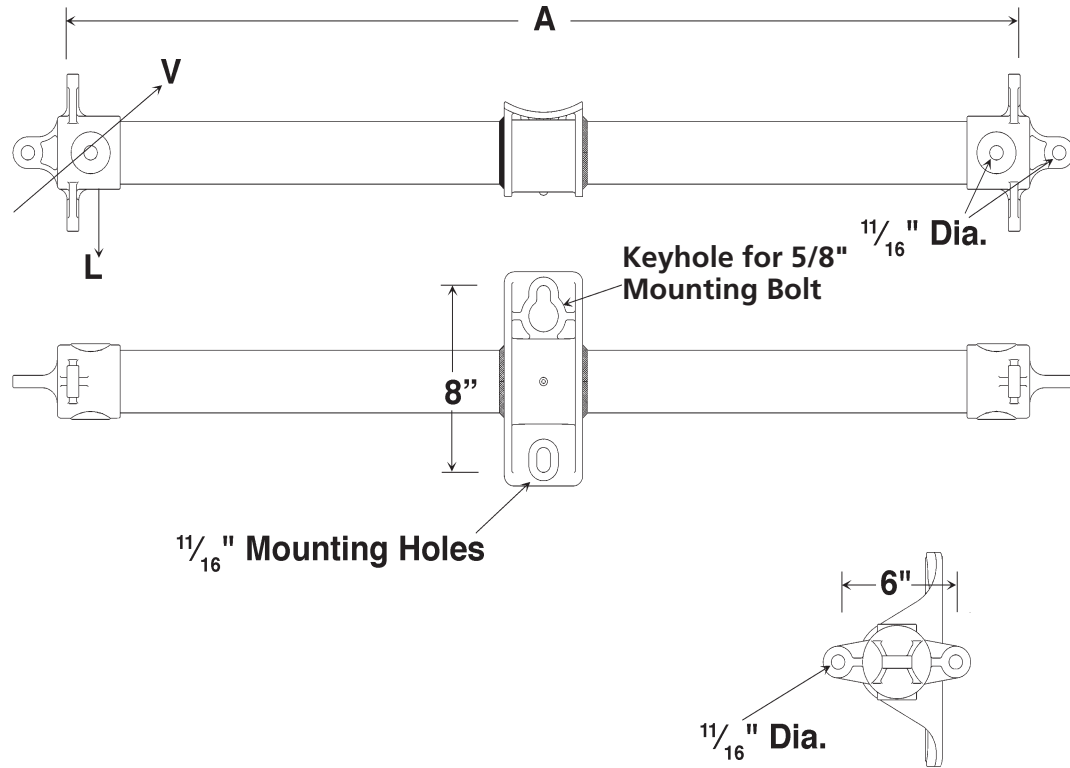
Base and End Fittings are aluminum alloy.

Catalog Number	Length A	Minimum Ultimate* (Balanced)		Weight (Each)
		Vertical V	Longitudinal L	
<b>Medium Duty 2½" (63.5 mm) Dia. Fiberglass Rod</b>				
DEM36DP	36" (91.4 cm)	6400 lbs. (2903 kg)	8000 lbs. (3629 kg)	20.1 lbs. (9.1 kg)
DEM42DP	42" (106.7 cm)	5200 lbs. (2359 kg)	6500 lbs. (2948 kg)	23.0 lbs. (10.4 kg)
DEM48DP	48" (121.9 cm)	4400 lbs. (1996 kg)	5500 lbs. (2495 kg)	24.1 lbs. (10.9 kg)
DEM54DP	54" (137.2 cm)	3400 lbs. (1542 kg)	4300 lbs. (1950 kg)	26.1 lbs. (11.8 kg)

\*Recommended maximum working load is 50% of minimum ultimate ratings listed.  
Consult factory for additional lengths.



# Heavy Duty Deadend Arms

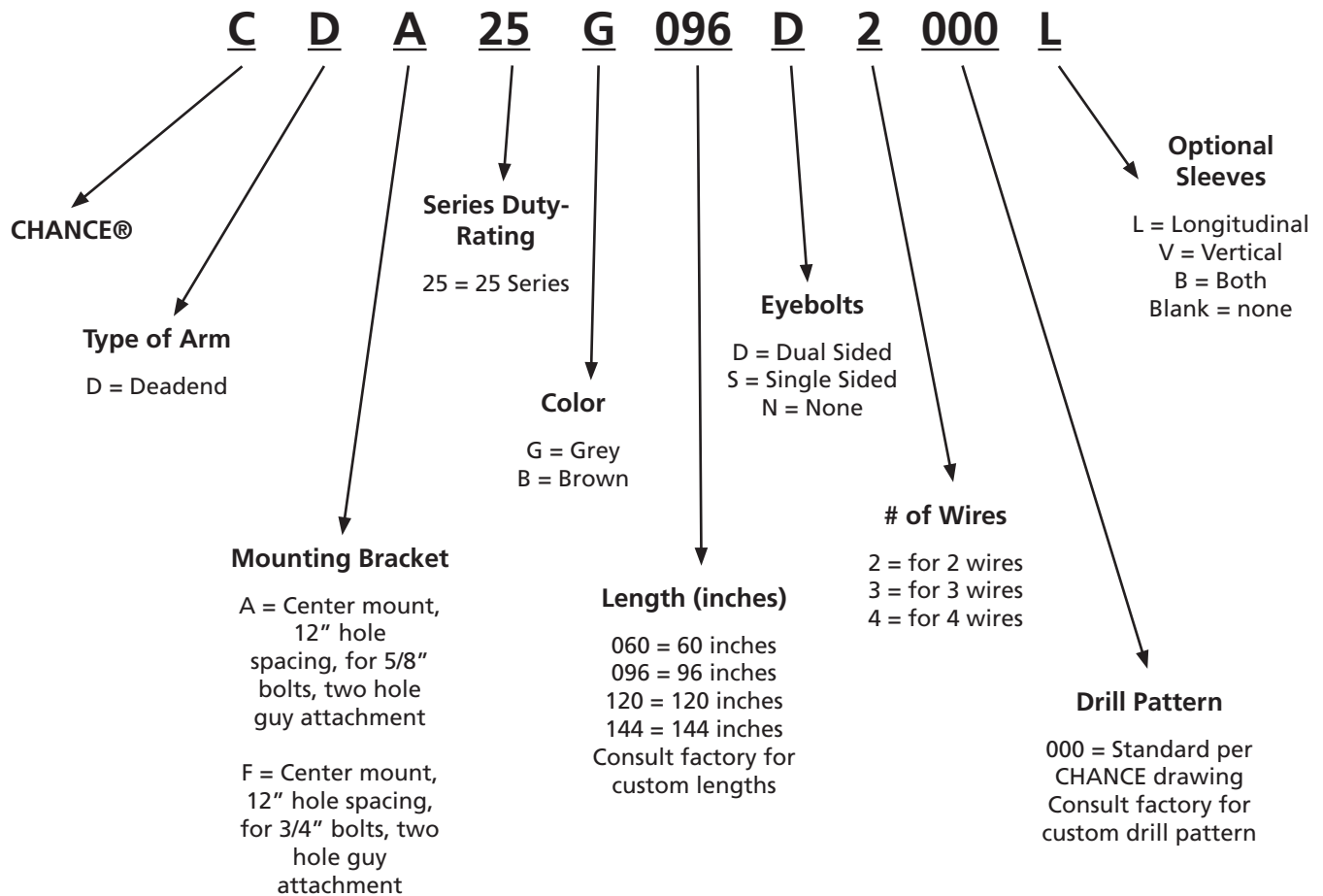


Base and End Fittings are hot-dip galvanized ductile iron.

Catalog Number	Length A	Minimum Ultimate* (Balanced)		Weight (Each)
		Vertical V	Longitudinal L	
<b>Heavy Duty 3" (76 mm) Dia. Fiberglass Rod</b>				
DEH36DP	36" (91.4 cm)	9600 lbs. (4354 kg)	12000 lbs. (5443 kg)	34.5 lbs. (15.6 kg)
DEH42DP	42" (106.7 cm)	8400 lbs. (3810 kg)	10500 lbs. (4763 kg)	37.3 lbs. (16.9 kg)
DEH48DP	48" (121.9 cm)	7600 lbs. (3447 kg)	9500 lbs. (4309 kg)	41.0 lbs. (18.6 kg)
DEH54DP	54" (137.2 cm)	6800 lbs. (3084 kg)	8500 lbs. (3856 kg)	43.2 lbs. (19.6 kg)
DEH60DP	60" (152.4 cm)	6000 lbs. (2722 kg)	7500 lbs. (3402 kg)	46.2 lbs. (20.9 kg)
DEH72DP	72" (182.9 cm)	3400 lbs. (1542 kg)	6500 lbs. (2948 kg)	52.1 lbs. (23.6 kg)

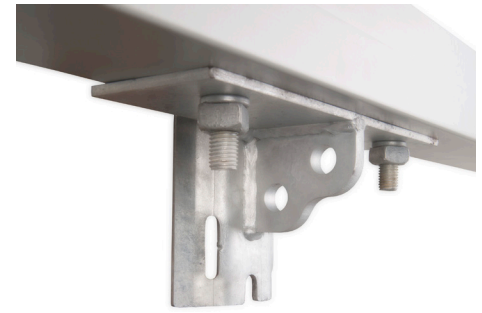
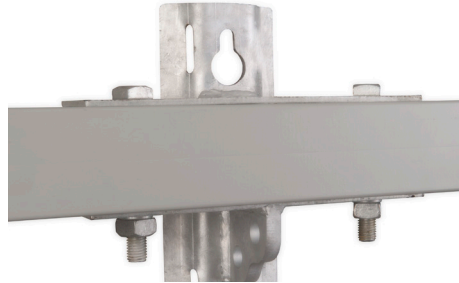
**\*Recommended maximum working load is 50% of minimum ultimate ratings listed.**  
*Consult factory for additional lengths.*

# Composite Crossarm Smart Number System





# Composite Deadend Crossarms



Composite Deadend Crossarms are a lighter weight and stronger alternative to wood crossarms. They also have a longer life as they are not prone to environmental rotting, cracking and damage from insects and birds.

**Features:**

- Foam filled, nonconductive composite member
- UV resistant polyurethane protective coating over a veiled mat and UV inhibited composite resin
- Two-hole guy attachment on center mounting bracket
- Mounts with two 5/8" or 3/4" through bolts, or bands to pole
- Available with optional sleeves
- Standard color is grey, also available in brown

**Material:**

- Arm: Fiberglass reinforced composite
- Hardware: Galvanized steel per ASTM A-153

**Series 25 Duty-Rating - 3 5/8" x 4 5/8" Tube O.D.**

Catalog Number	Arm Length	Attachment Points	Minimum Ultimate Logitudinal Load per Attachment	Deflection per 1000 lbs. per attachment	Weight (Each)
CDA25G060D2000	5'	2	10000 lbs.	0.17"	50.0 lbs. (22.7 kg)
CDA25G096D2000	8'	2	10000 lbs.	0.45"	62.5 lbs. (28.3 kg)
CDA25G096D4000	8'	4	7500 lbs.	0.68"	71.0 lbs. (32.2 kg)
CDA25G120D2000	10'	2	7500 lbs.	0.82"	71.0 lbs. (32.2 kg)
CDA25G120D4000	10'	4	6000 lbs.	1.10"	79.5 lbs. (36.1 kg)
CDA25G144D2000	12'	2	6000 lbs.	1.46"	79.5 lbs. (36.1 kg)
CDA25G144D4000	12'	4	4200 lbs.	1.92"	88.0 lbs. (40.0 kg)

Above units are grey in color. For Brown substitute G with B.

Above units are for use with 5/8" mounting bolts. For use with 3/4" mounting bolts substitute A with F.

RUS approval pending

Custom hole locations available, consult factory





# HUBBELL<sup>®</sup>

**Power Systems, Inc.**

210 N. Allen St. • Centralia, MO 65240 • (573) 682-5521

NOTICE: For the latest revision of our Catalog and Literature, click here or visit our web site: [www.hubbellpowersystems.com](http://www.hubbellpowersystems.com)

NOTE: Hubbell has a policy of continuous product improvement. We reserve the right to change design and specifications without notice. ©Copyright 2022 Hubbell Incorporated

***NEVER COMPROMISE™***

[www.hubbellpowersystems.com](http://www.hubbellpowersystems.com)

