



► Model 225XL

Electrarray® Hazardous Location LED Flashing Warning Light

A B C G R

The Model 225XL is a hazardous location flashing signal light that is available in 24VAC/DC and 120-240VAC self detecting voltage. Model 225XL comes standard in flashing mode and is field configurable to steady burn mode for maximum functionality.

This hazardous location warning light has a black polyurethane-coated base and the inner fresnel lens. The clear polycarbonate outer dome can be quickly removed for access while changing the LED or inspecting the unit.

The Federal Signal Model 225XL is ideal for wet, corrosive atmospheres like those found in food processing industries or anywhere a vibration-resistant visual signal is needed.

FEATURES

- Available in 24VAC/DC and 120–240VAC
- Five lamp/lens colors: Amber, Blue, Clear, Green and Red
- Flashing mode standard, configurable to Steady-burn
- 50,000-hour, vibration-resistant LED lamp
- 1/2-inch NPT pipe mount
- Type 4X, IP66, IP69K enclosure
- Marine Listed
- UL and cUL Listed for Class I, Division 2, Groups A, B, C and D; Class II Division 2, Groups F and G; and Class III

MODEL	VOLTAGE	OPERATING CURRENT	IN-RUSH CURRENT	FLASH RATE/MINUTE	MOUNT
225XL-024 *	24VAC/DC	0.40 amps	1.75 amps, 5.0 mS	60	1/2" NPT Pipe
225XL-120-240 *	120-240VAC	0.21/0.13 amps	2.00 amps, 0.25 mS	60	1/2" NPT Pipe

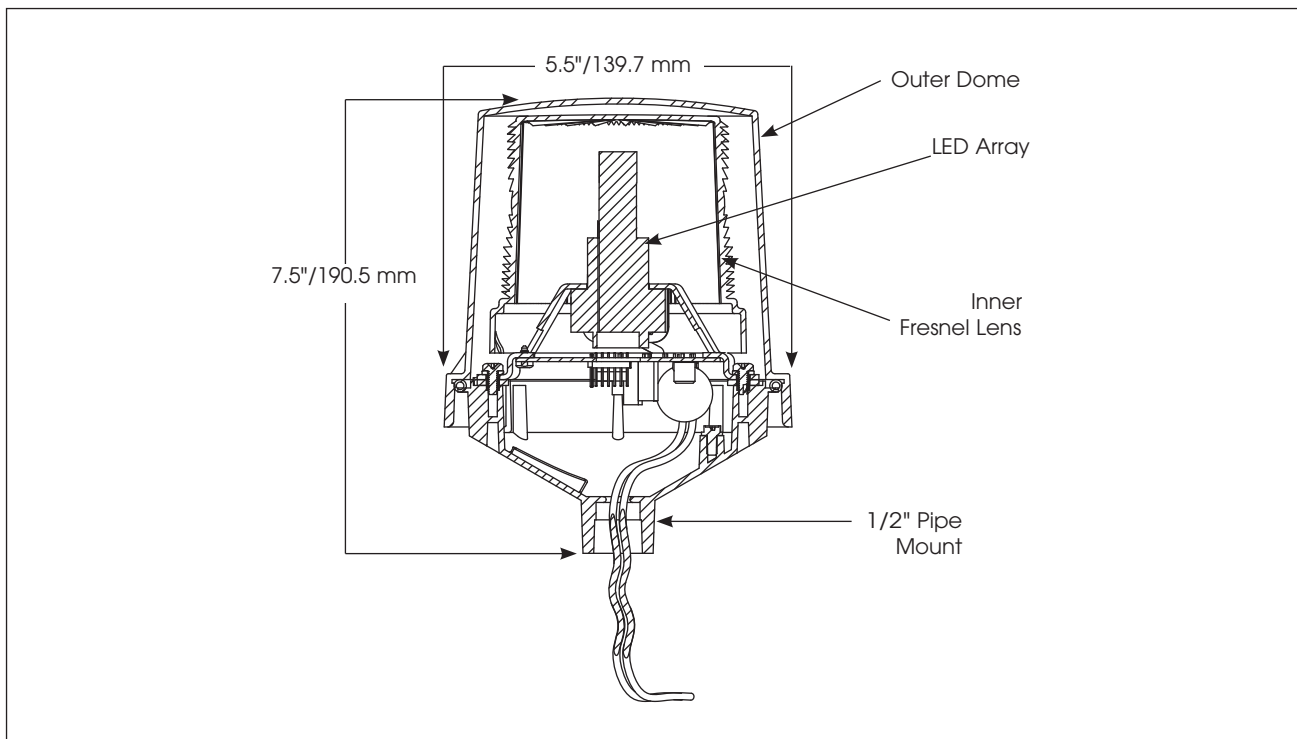
* Indicates color: (A) Amber, (B) Blue, (C) Clear, (G) Green or (R) Red

HAZARDOUS LOCATION RATING: 225XL

T-CODE AT MAXIMUM AMBIENT TEMPERATURE, °C

Hazardous Location	40°C		55°C		66°C	
	24VAC/DC	100-265VAC	24VAC/DC	100-265VAC	24VAC/DC	100-265VAC
Class I, Division 2, Groups A, B, C, D	T6°	T6	T5	T5	T4A	T4A
Class II, Division 2, Groups F, G	T6	T6	T6	T6	T6	T6
Class III	T6	T6°	T6	T6	T6	T6

Electrarray® Hazardous Location LED Light (225XL)



SPECIFICATIONS

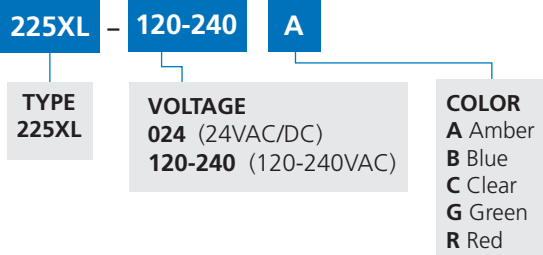
Lamp Life:	50,000 Hours
Light Source:	LED
Operating Temperature:	-58°F to 150°F -50°C to 66°C
Net Weight:	3.2 lbs 1.5 kg
Shipping Weight:	4.0 lbs 1.8 kg
Height:	7.5" 190.5 mm
Diameter:	5.5" 139.7 mm

REPLACEMENT PARTS

Description	Part Number
PC Board Assembly, 24VAC/DC	K2005455A
PC Board Assembly, 120/240VAC	K2005416A
LED Lamp, Amber	K14700030A-A
LED Lamp, Blue	K14700030A-B
LED Lamp, Clear	K14700030A-W
LED Lamp, Green	K14700030A-G
LED Lamp, Red	K14700030A-R
Exterior Dome, Clear ¹	K8444D219C-04
Interior Lens Kit, Amber ¹	K8550292A-02
Interior Lens Kit, Blue ¹	K8550292A-01
Interior Lens Kit, Clear ¹	K8550292A
Interior Lens Kit, Green ¹	K8550292A-04
Interior Lens Kit, Red ¹	K8550292A-03

¹ Includes 1 dome gasket

HOW TO ORDER



OPTIONAL ACCESSORIES

Description	Part Number
Hazardous Location Mounting Bracket	LHWB

Mounting Brackets shown on pages 136-137