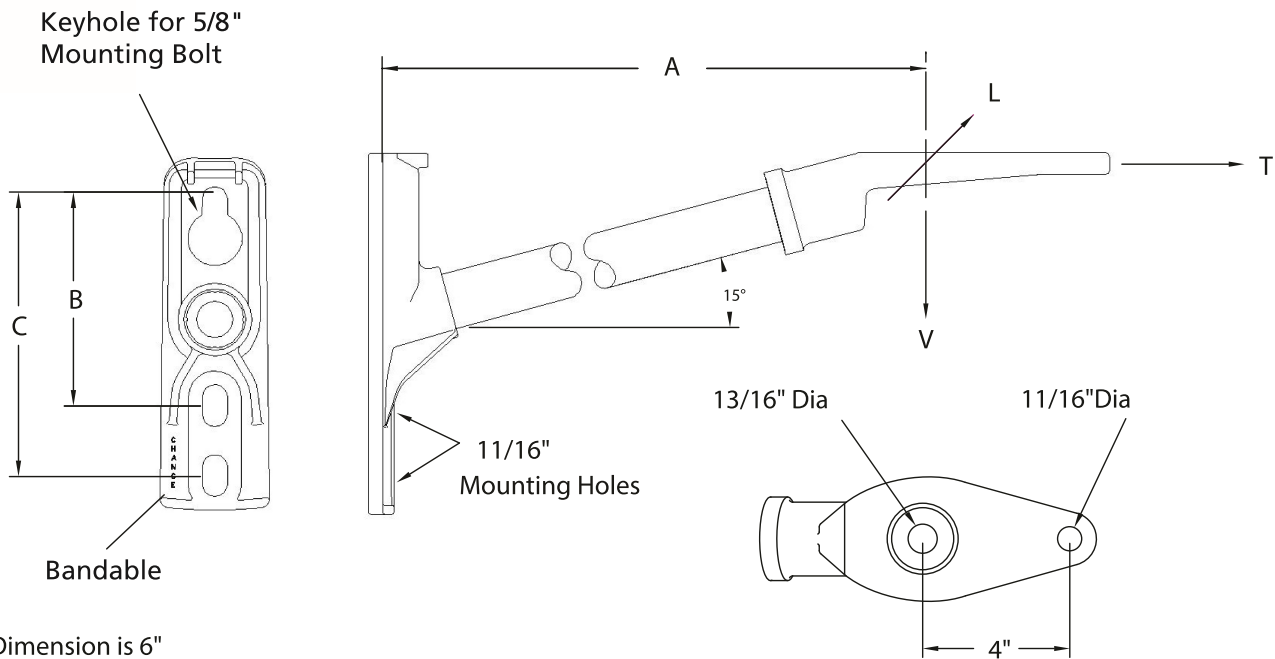


Fiberglass Single-Phase / Single Position Cutout / Arrester Bracket (15°)



B Dimension is 6"
C Dimension is 8"

• Base and End Fitting are hot-dip-galvanized ductile iron.

RUS Accepted.

Catalog Number	Length A	Minimum Ultimate*			Weight (Each)
		Vertical V	Longitudinal L	Transverse T	
Medium Duty 1½" (38 mm) Dia. Fiberglass Rod					
1SBM18TD	18" (45.7 cm)	1200 lbs. (544 kg)	900 lbs. (408 kg)	10,000 lbs. (4536 kg)	10.0 lbs. (4.5 kg)
1SBM24TD	24" (61.0 cm)	900 lbs. (408 kg)	700 lbs. (318 kg)	10,000 lbs. (4536 kg)	11.2 lbs. (5.1 kg)

*Recommended maximum working load is 50% of minimum ultimate ratings listed.
Consult factory for additional lengths.
Add "SC" suffix to the end of the catalog number to denote Silicone Coated rod