



SPECIFICATIONS

AK80

EXHAUST FAN



80 CFM/1.5 Sones @ 0.10" SP.
63 CFM @ 0.25 SP.

Grill

White, polymeric grill secured in place with torsion springs; easily removed if necessary, dimensions - 11" x 13 3/4".

Blower Wheel

One piece polymeric centrifugal blower wheel, 5 7/32" diameter, 229/32" wide, with 30 paddles.

Motor

Heavy duty, permanently split capacitor, plug-in, 4 pole motor, life time lubrication, suitable for continuous operation. Rated 120 volts, 60 hz.

Fan Housing

23 gauge galvanized steel housing.
 Dimensions: 10 7/8" x 9 3/8" x 7 7/8".

Duct Collar

Plastic collar for 4" duct connection, comes complete with built in non-metallic back draft damper for quiet operation.

Ventilating Area

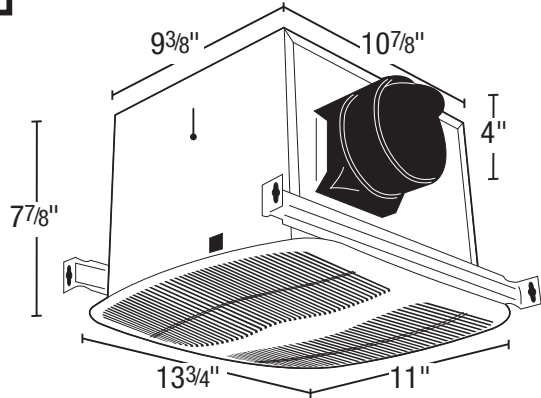
For bathrooms up to 80 sq. ft. For other rooms up to 100 sq. ft.

Electrical Connections

1/2" electrical knockouts provided.

Single Pack Shipping Info

Box Dim: 14 1/8" x 11 5/8" x 9 5/8"
 UPC: 0-8316228002-2
 Shipping Weight: 10 lbs.



Acceptable for use over tub or shower when installed in a GFCI protected branch circuit.



Unit Mounting

The housing will mount in ceilings with at least 8" of clearance and through drywall thickness up to 3/4", with a rough-in opening of 11 1/8" x 9 5/8". The housing will mount either between 16" or 24" on center joists, using the 4 supplied housing mounting rails. The housing mounting rails can be adapted for overhead mounting (hardware not provided).

EXPANDED PERFORMANCE

	Static Pressure (inches of w.g.)							Sones @ .1 SP	Fan Speed RPM	Maximum Fan Watts	Amps
	0	0.05	0.1	0.125	0.15	0.2	0.25				
Air Flow - CFM	88	83	80	79	77	73	63	1.5	1033	27.6	0.3

PROJECT				ARCHITECT					
LOCATION				ENGINEER					
CONTRACTOR				SUBMITTED BY			DATE		
FAN NUMBER	MODEL NUMBER	CFM	IN W.G.	RPM	WATTS	AMPS	SONES	QTY	OPTIONAL EQUIPMENT & REMARKS



U.S.: 820 Lincoln Avenue
 West Chester, Pennsylvania 19380-4466
 Tel: (610) 692-7400 • 877-304-3785
 Fax: (610) 696-8048

Canada:
 Brampton, Ontario
 Tel: 800-250-8767
 Fax: (905) 456-1015