

S400ML5AC4M

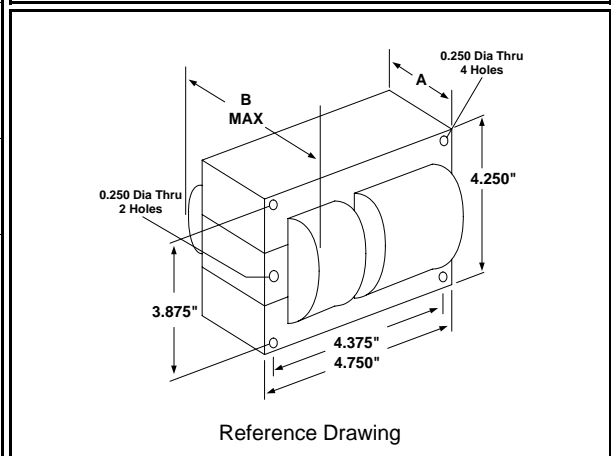
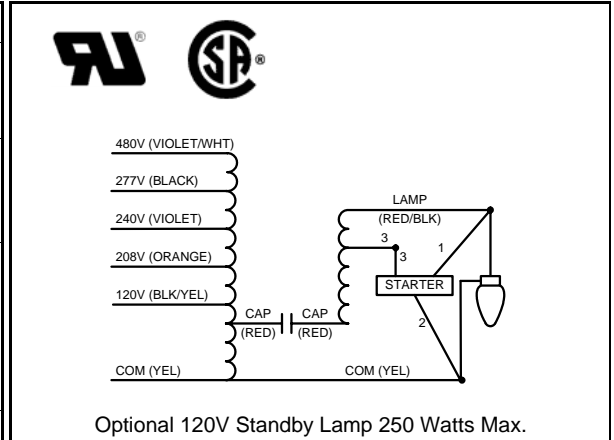
400W S51

High Pressure Sodium

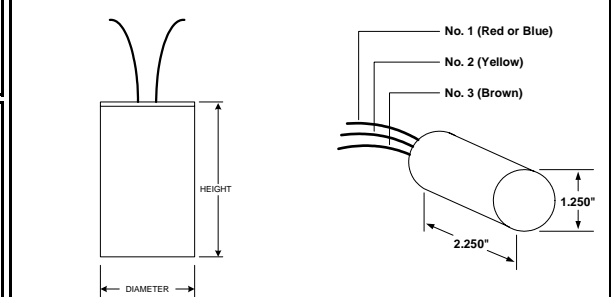
60Hz CWA

Specification Sheet

Input Volts	120	208	240	277	480
Regulation					
Line Volts	±10%	±10%	±10%	±10%	±10%
Lamp Watts	±10%	±10%	±10%	±10%	±10%
Power Factor (min)	90%	90%	90%	90%	90%
Input Watts	465 W	465 W	465 W	465 W	465 W
NOM. Open Circuit Voltage	190 V	190 V	190 V	190 V	190 V
Line Current (Amps)					
Operating	3.95	2.30	2.00	1.70	1.00
Open Circuit	1.75	1.00	0.90	0.75	0.45
Starting	3.10	1.80	1.55	1.35	0.80
Recommended Fuse (Amps)	10	6	5	5	3
Lamp Dropout Voltage (Line)	90 V	155 V	180 V	205 V	355 V
UL Temperature Ratings					
Insulation Class	H (180°C)	H (180°C)	H (180°C)	H (180°C)	H (180°C)
Temperature Code	D	D	D	D	D
MIN. Starting Temperature	-40°F -40°C	-40°F -40°C	-40°F -40°C	-40°F -40°C	-40°F -40°C
CAPACITOR Specifications					
Microfarads	55 uf	55 uf	55 uf	55 uf	55 uf
Volts (min.)	240 V	240 V	240 V	240 V	240 V
60Hz Test Procedures					
High Potential Test 1 Minute	2000 V	2000 V	2000 V	2000 V	2000 V
High Potential Test 1 Second	2500 V	2500 V	2500 V	2500 V	2500 V
Secondary Open Ckt Voltage (V)	170 - 210	170 - 210	170 - 210	170 - 210	170 - 210
Secondary Current Shorted (A)	6.20 - 7.65	6.20 - 7.65	6.20 - 7.65	6.20 - 7.65	6.20 - 7.65
Input Operating Current (A)	3.55 - 4.40	2.05 - 2.55	1.75 - 2.20	1.50 - 1.90	0.90 - 1.10
Input Open Circuit Current (A)	0.85 - 2.60	0.50 - 1.50	0.40 - 1.30	0.35 - 1.15	0.20 - 0.65
Input Short Circuit Current (A)	2.10 - 3.60	1.20 - 2.05	1.05 - 1.80	0.90 - 1.55	0.50 - 0.90
Core and Coil Specifications					
Dimension A	2.44 in	2.44 in	2.44 in	2.44 in	2.44 in
Dimension B	4.30 in	4.30 in	4.30 in	4.30 in	4.30 in
Weight	14.0 lbs	14.0 lbs	14.0 lbs	14.0 lbs	14.0 lbs
Lead Lengths (inches)	12-14	12-14	12-14	12-14	12-14
Coil Material (Pri. / Sec.):	Cu / Cu	Cu / Cu	Cu / Cu	Cu / Cu	Cu / Cu



Capacitor: R17058507	Ignitor: HPS400-3A
Max Case Temp: 100 °C	Max Case Temp: 105 °C
Height: 3.74 in	BTL: 10 ft
Width / Diameter: 1.77 in	



Oil Cap. - P/N 005-1594-MF Consult Catalog for Specs.

Document #:	010-9768-03
Date:	11/17/2008
Status:	Production
Replaces Catalog #:	New Design

Data is based upon tests performed by Universal Lighting Technologies in a controlled environment and is representative of relative performance. Actual performance may vary depending on operating conditions. Specifications are subject to change without notice.