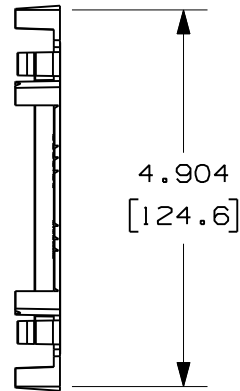
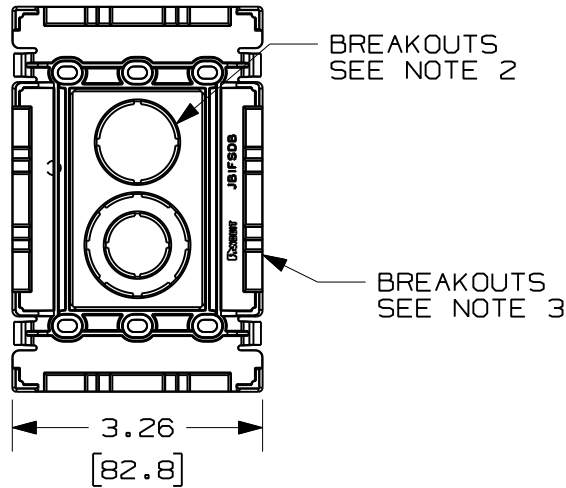
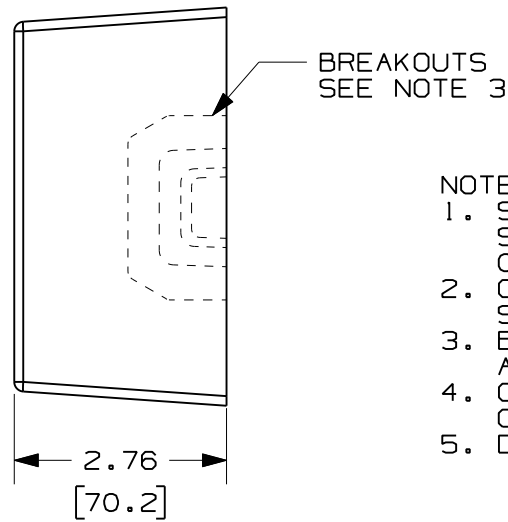
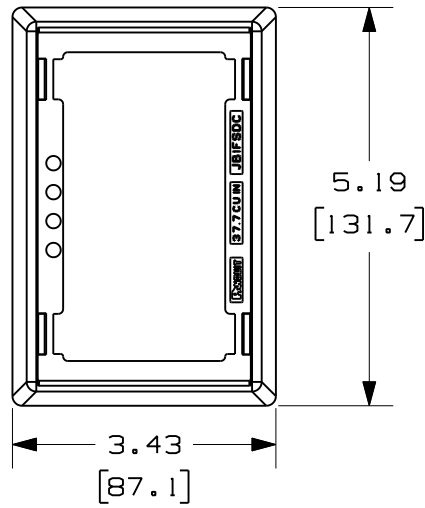


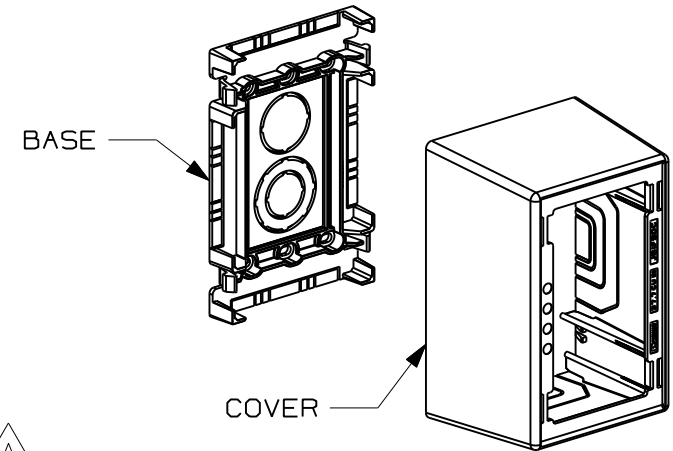
THIS COPY IS PROVIDED ON A RESTRICTED BASIS AND IS NOT TO BE USED IN ANY WAY DETRIMENTAL TO THE INTERESTS OF PANDUIT CORP.



PANDUIT PART NUMBER	WEIGHT	VOLUME CU. IN./CC
JB1FSD	0.29 LBS [133.62 g]	36.4 [597]

NOTES:

1. SEE CURRENT CATALOG FOR ADDITIONAL PART SUFFIXES TO INDICATE COLOR AND OR PACKAGE QUANTITY.
2. CONCENTRIC BREAKOUTS TO ACCOMMODATE CONDUIT SIZES OF 1/2", 3/4" AND 1" DIAMETERS.
3. BREAKOUTS ARE PROVIDED FOR PD, LD, LDPH, LDS AND T45 RACEWAYS.
4. COVER IS EXTENDED OUT AND DOWN AROUND SIDES OF BASE WHEN ASSEMBLED.
5. DIMENSIONS IN PARENTHESIS ARE IN METRIC.



CAD FILENAME/LAYERS D38986BC_DC_JB1FSD_00C.PRT

PANDUIT CORP. TINLEY PARK, ILLINOIS
SINGLE GANG SNAP-TOGETHER DEEP JUNCTION BOX (JB1FSD)
 CUSTOMER DRAWING

UNLESS OTHERWISE SPECIFIED, DIMENSIONAL TOLERANCES ARE: (.X) ± (.XXX) ± (.XX) ±.03 [.8] ANGLES ±		UNLESS OTHERWISE SPECIFIED, ALL DIMENSIONS ARE GIVEN IN INCHES, THIRD ANGLE PROJECTION.	
DRAWN BY JBN	MAT'L: PVC	SCALE NONE	
DATE 01-11-05	CHECKED BY RMHI	DRAWING NO. 38986-03	DWG A SIZE

REV	DATE	BY	CHK	DESCRIPTION	ECN	CHK	CUST	SUP
2	12-11-09	BDK	RMHI	A. REVISED AND REDRAWN	38986-03	RMHI	RTFI	
1	11-15-05	JHEP	RMHI	RELEASED TO PRODUCTION	38986-03	RGRO	RGRO	
R	01-11-05	JBN	RMHI	DRAWING RELEASED				