

FLAT CLEAR COVER WITH LATCHES, TYPE 4X

INDUSTRY STANDARDS

 UL 508A Listed; Type 3, 3R, 4, 4X, 12, 13; File No. E54315
 cUL Listed per CSA C22.2 No 94; Type 3, 3R, 4, 4X, 12, 13; File No. E54315
 Enclosure flammability per UL 508A

 NEMA/EEMAC Type 3, 3R, 4, 4X, 12, 13
 CSA File No. 217184: Type 3, 3R, 4, 4X, 12, 13
 IEC 60529, IP66

Meets NEMA Type 3RX requirements

APPLICATION

Enclosures feature a flat, overlapping clear cover design that ensures a more secure seal and provides a larger viewing area than a traditional window. Latches provide easy access and security.

SPECIFICATIONS

- Compression-molded fiberglass construction
- Clear polycarbonate viewing area
- Cover fastens with padlockable Type 316 stainless steel latches
- Type 304 stainless steel piano hinges
- Integral mounting brackets
- Enclosures protect equipment and operators from indirect electrical contact
- Material is halogen free

FINISH

Standard fiberglass material is RAL 7035 light-gray inside and out. Optional steel panels are painted white. Optional stainless steel, aluminum, conductive and composite panels are unpainted

ACCESSORIES

 See also *Accessories*.

H2OMIT Vent Drains, Type 4X

HOL-SEALERS Non-Metallic Hole Seals

Panels for Junction Boxes

Swing-Out Panel Kit

Terminal Block Kit Assembly for Junction Boxes Overview

MODIFICATION AND CUSTOMIZATION

Hoffman excels at modifying and customizing products to your specifications. Contact your local Hoffman sales office or distributor for complete information.

BULLETIN: HJ

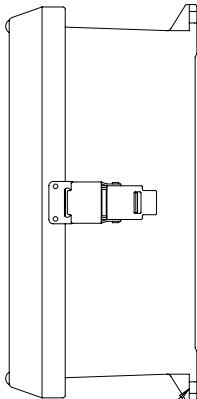
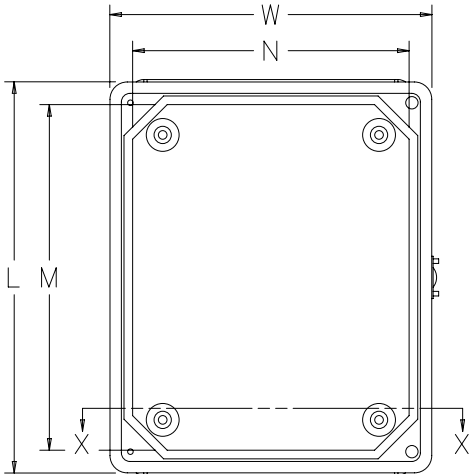
Standard Product

Catalog Number	Ax B x C in./mm	No. of Latches	Window Size													Steel Panel	Aluminum Panel	Panel Size in./mm
			N x M in./mm	D in./mm	F in./mm	G in./mm	H in./mm	I in./mm	J in./mm	K in./mm	L in./mm	P in./mm	Q in./mm	W in./mm				
CHJ606HWPL1LG	5.71 x 5.72 x 4.05	1	6.00 x 6.00	4.90	4.62	6.75	4.00	7.51	4.28	1.38	6.00	4.25	4.25	5.97	A6P6	A6P6AL	4.88 x 4.88	
	145 x 145 x 103		152 x 152	125	118	171	102	191	109	35	152	108	108	152			124 x 124	
CHJ806HWPL1LG	7.71 x 5.72 x 4.05	1	8.00 x 6.00	4.90	4.62	8.75	4.00	9.51	4.28	1.38	9.31	6.25	4.25	7.31	A8P6	A8P6AL	6.75 x 4.88	
	196 x 145 x 103		203 x 152	125	118	222	102	242	109	35	236	159	108	186			171 x 124	
CHJ1008HWPL1LG	9.71 x 7.21 x 4.30	1	10.00 x 8.00	5.15	4.88	10.75	6.00	11.51	4.28	1.67	11.25	8.25	6.24	9.25	A10P8	A10P8AL	8.75 x 6.88	
	247 x 196 x 109		254 x 203	131	124	273	152	292	109	42	286	210	158	235			222 x 102	
CHJ1210HWPL2LG	11.68 x 9.69 x 4.62	2	12.00 x 10.00	5.42	5.20	12.75	8.00	13.51	4.66	1.77	13.23	10.25	8.25	11.23	A12P10	A12P10AL	10.75 x 8.88	
	297 x 246 x 117		305 x 254	138	132	324	203	343	118	45	336	260	210	285			273 x 226	
CHJ1412HWPL2LG	13.81 x 11.81 x 5.99	2	14.00 x 12.00	6.79	6.44	14.75	10.00	15.51	5.63	1.75	15.29	10.25	10.25	13.29	A14P12	A14P12AL	12.75 x 10.88	
	351 x 300 x 152		356 x 305	172	164	375	254	394	143	45	388	260	260	338			324 x 276	
CHJ1614HWPL2LG	15.81 x 13.81 x 5.99	2	16.00 x 14.00	6.68	6.44	16.75	12.00	17.51	5.63	1.75	17.29	14.25	12.25	15.29	A16P14	A16P14AL	14.75 x 12.88	
	402 x 351 x 152		406 x 356	170	164	425	305	445	143	45	439	363	311	388			375 x 327	
CHJ1816HWPL2LG	17.81 x 15.81 x 8.86	2	18.00 x 16.00	9.55	9.32	18.75	12.00	19.51	8.56	1.75	19.29	16.25	14.25	17.29	A18P16	A18P16AL	16.75 x 14.88	
	452 x 402 x 225		457 x 406	243	237	476	305	495	217	45	790	413	362	439			425 x 378	

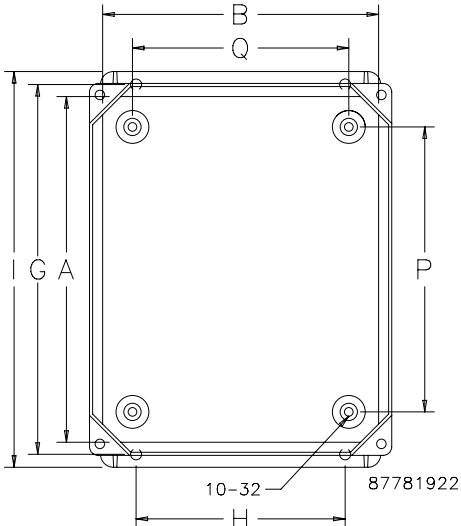
A x B x C are internal dimensions.

Purchase panels separately. Optional stainless steel, composite and aluminum panels are available for most sizes.

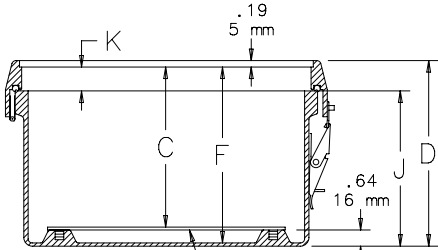
Flat Clear Cover Window Enclosures



ø.32 (4X)
8 mm



Top View with Door/Cover Removed



PANEL (ORDER SEPARATELY)

SECTION X-X