

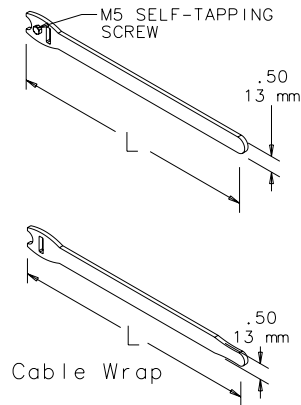
**VELCRO® CABLE WRAP**



Securely holds cable to cable manager and unfastens easily for cable maintenance. VELCRO® is 0.5-in. (12.7-mm) wide. Available in 8- and 12-in. (203- and 305-mm) lengths in both screw fastener and wrap styles. M5 self-tapping screw is used on ProLine frames.

VELCRO is a trademark of Velcro Industries B.V.

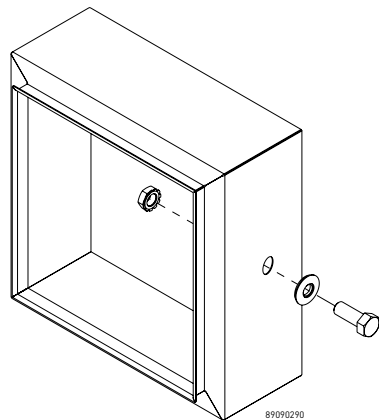
BULLETIN: DACCY



87951397

Catalog Number	Description	L (in.)	L (mm)	Color	Pkg. Qty.
ECWTD8B	Screw fastener style. Includes M5 mounting screw.	8.00	203	Black	10
ECWTD12B	Screw fastener style. Includes M5 mounting screw.	12.00	305	Black	10
ECW8B	Wrap style	8.00	203	Black	10
ECW8R	Wrap style	8.00	203	Red	10
ECW8BL	Wrap style	8.00	203	Blue	10
ECW8Y	Wrap style	8.00	203	Yellow	10
ECW12B	Wrap style	12.00	305	Black	10
ECW12R	Wrap style	12.00	305	Red	10
ECW12BL	Wrap style	12.00	305	Blue	10
ECW12Y	Wrap style	12.00	305	Yellow	10

**UL RECOGNIZED HARDWARE KITS**



**APPLICATION**

These UL-recognized mountings kits are designed to maintain the overall UL Type rating of the enclosure when component mounting holes penetrate the exterior of the enclosure. These hardware kits are conveniently offered in three common fastener sizes to meet various applications.

**FEATURES**

- Each kit provides the capability of sealing 10 hole penetrations
- Kits are offered in 10-32, 1/4-20 and 3/8-16 fastener sizes
- Stainless steel fasteners
- Kit contains screws, sealing washers and locking nuts
- Kit is UL-recognized as a means to maintain UL enclosure cabinet rating up to Type 4X

**SPECIFICATIONS**

- Fasteners are made of stainless steel
- Sealing washer has integral rubber sealing and stainless steel washer

**FINISH**

Brushed, bright stainless steel

BULLETIN: A80HS

**INDUSTRY STANDARDS**

UL 508A Component Recognized; File No. E61997

CSA File No. 42186: Type 4, 4X, 12, 13

Cabinet maintains up to UL Type 4X when included hardware is used per instructions.

**Standard Product**

Catalog Number	Fastener Size (Nominal)	Fastener Length (Inches)	Drill/Hole Size (Inches)
AHK10324X	10-32	5/8	7/32
AHK14204X	1/4-20	1	9/32
AHK38164X	3/8-16	1	13/32

**TAMPER-RESISTANT SCREWS**



Designed for field installation on screw cover pull boxes and screw cover Type 3R enclosures (size 16.00 x 12.00 x 6.00 in. or smaller), consolets, pushbutton enclosures and Type 12 screw cover wiring trough. Each package consists of four Type 18-8 stainless steel screws and four nylon captivated washers. Driver bit must be ordered separately (functions in any handle or socket capable of holding 1/4-in. hex insert bits).

**BULLETIN: A80**

Catalog Number	Description	Pkg. Qty.
ATRSK	Tamper-resistant screw (10-32)	4
ATRSDVR	Driver bit	1

**SCREW PACKAGES**



Screw Packages are for mounting rack panels and equipment to rack angles.

**BULLETIN: A80, DACCY**

Catalog Number	Color	Description	Pkg. Qty.
ES1224	Silver	12-24 x 5/8 in. combo head	20
ES1224250	Silver	12-24 x 5/8 in. combo head	250
ES1224B	Black	12-24 x 5/8 in. combo head	20
ES1224B250	Black	12-24 x 5/8 in. combo head	250
ASM5	Silver	M5 x 20 mm combo Head	20
ASM6	Silver	M6 x 16 mm combo head	20
ASM5T	Silver	M5 x 12 mm thread-forming Phillips hex head screws	20
ASM6250	Silver	M6 x 16 mm combo head	250
AS1032	Silver	10-32 x 5/8 in. combo head	20
AS1032250	Silver	10-32 x 5/8 in. combo head	250
AS1032B	Black	10-32 x 5/8 in. combo head	20

Use ASM5T on ProLine frame or ProLine S1 extruded holes.

**CAGE NUT PACKAGE**



Cage Nut Packages are for use with square-hole rack angles. Cage nuts are plated steel.

**BULLETIN: DACCY**

Catalog Number	Color	Description	Pkg. Qty.
PM5CN	Silver	M5 cage nut	20
PM6CN	Silver	M6 cage nut	20
PM6CN250	Silver	M6 cage nut	250
P1032CN	Silver	10-32 cage nut	20
P1032CN250	Silver	10-32 cage nut	250
P1224CN	Silver	12-24 cage nut	20
P1224CN250	Silver	12-24 cage nut	250

**CLIP NUT PACKAGE**



Twenty plated clip nuts fit all rack-mounting angles with .281-in. (7-mm) diameter holes (through-hole type).

**BULLETIN: A80**

Catalog Number	Description	Pkg. Qty.	Fits
AN1032	Clip Nut 10-32	20	.281-diameter mounting holes
ANM5	Clip Nut M5 (Metric)	20	.281-diameter mounting holes

**CLAMPING NUT PACKAGE**



Twenty plated clamping nuts with top-grip nut retainers. Clamping nuts fit into mounting channels that are used on inside walls of Hoffman enclosures. Clamping nuts are included with all Hoffman accessories that attach to mounting channels. These clamping nuts can be used for mounting other equipment (brackets, etc.) to the enclosure walls.

**BULLETIN: A80**

Catalog Number	Description	Thread
APS1032CN	Package of 20	10-32
APS1420CN	Package of 20	1/4-20
APS51618CN	Package of 20	5/16-18

**PROLINE FASTENER PACKAGES**



Use to fasten components to the grid system. PGF Packages include 20 front-loading clip nuts (M6) and 20 combination-drive washer-head bolts (M6).

Grounding Package is used with the rectangular holes in the ProLine frame to provide electrical continuity between the frame and the grid system. ASM5T Package is used with ProLine frames having round holes. Package includes 20 M5 self-tapping screws.

**BULLETIN: DACCY**

Catalog Number	Description	Use in	Pkg. Qty.
ASM5T	M5 x 12 mm thread-forming Phillips hex head screws	Round holes	20
PGFM6	Standard Package - M6 cage nuts and bolts	Rectangular holes	20
PGFGM6	Grounding Package - M6 grounding cage nuts and bolts	Tapped holes	20

**FASTENER PACKAGE**



Kit includes a set of 8 cage nuts and screws. Used to mount 19-in. rack equipment to 9-mm square holes in uprights. Cage nuts are metric (M6). Screws are pan head Phillips metric M6x16.

**BULLETIN: DACCY**

Catalog Number	Color	Description
ECNSM6	Silver	M6 x 16 pan head posidrive screws. M6 cage nuts.

**Notes**