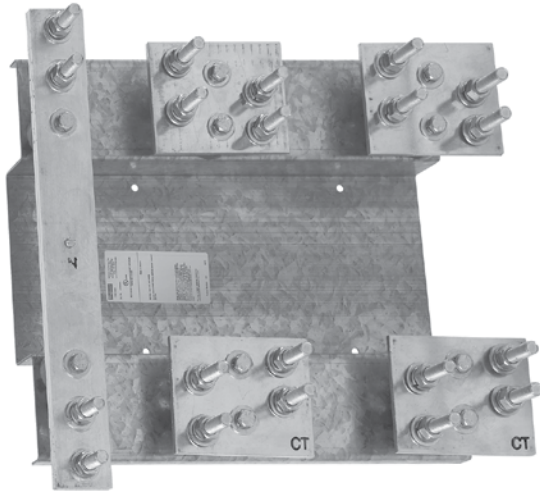


CT MOUNTING BASE



CTMB8001

APPLICATION

Available in three variations of conductor connection styles to match your application: 1/2-in. studs on 1-3/4-in. centers, a model with mechanical lugs and a model with lugs on one side and studs on the other to accommodate the preference difference between line and load connections. Prepunched mounting base holes align with the studs in a CT enclosure.

FEATURES

- Spacing for bar-type current transformer that conforms to ANSI 12.11
- Conductor provisions: either mechanical lugs or 1/2-in. bolt on 1-3/4-in. centers with nut, spring and flat washer
- Neutral bar with 10-32 tap screw

SPECIFICATIONS

- 12-gauge galvanized formed base has electrically isolated mount/termination platform

FINISH

Galvanized (mounting plate only)

BULLETIN: A90CM

INDUSTRY STANDARDS

UL 414 Listed; File E240312

Standard Product **CT Mounting Base**

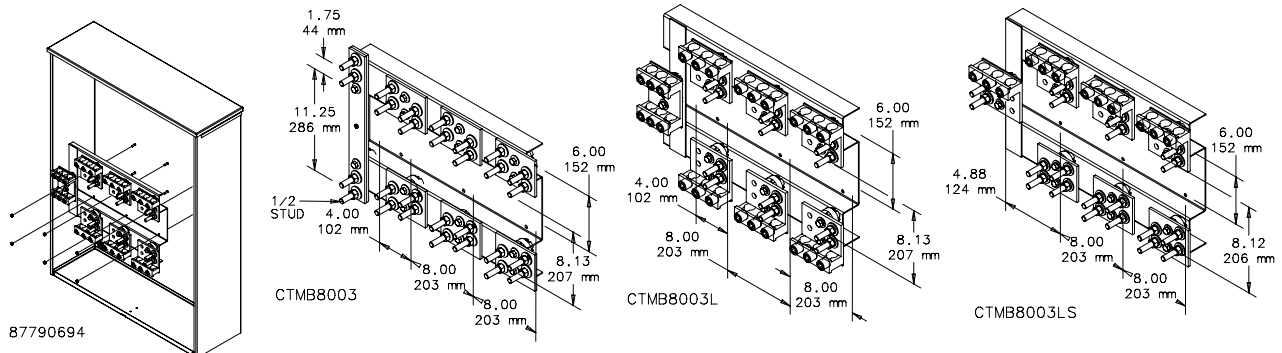
Catalog Number	A.I.C. Rating	Ampacity	Voltage Max. VAC	Service Type	No. of CT Provisions	Connection
CTMB8001	50,000	400-800	600	1Ø3W	2	Studs
CTMB8003	50,000	400-800	600	3Ø4W	3	Studs
CTMB4001L	50,000	400	600	1Ø3W	2	Lugs ^a
CTMB8003L	50,000	800	600	3Ø4W	3	Lugs ^a
CTMB4001LS	50,000	400	600	1Ø3W	2	Lugs and Studs ^a

^aWire range per phase: (3) 750MCM to 1/0 or (6) 250MCM to 1/0

Wire Bend Space

Catalog Number	CTMB8001, CTMB4001LS (in.)	CTMB8001, CTMB4001LS (mm)	CTMB8003 (in.)	CTMB8003 (mm)	CTMB4001L (in.)	CTMB4001L (mm)	CTMB8003L (in.)	CTMB8003L (mm)
A303011CT	6.75	171	6.75	171	7.25	184	7.25	184
A363011CT	9.75	248	9.75	248	10.25	260	10.25	260
A363611CT	9.75	248	9.75	248	10.25	260	10.25	260
A483611CT	15.75	400	15.75	400	16.25	413	10.25	260
A302411HCT	6.75	171	n/a	n/a	7.25	184	n/a	n/a
A482411HCT	15.75	400	n/a	n/a	16.25	413	n/a	n/a
A363011HCT	9.75	248	9.24	235	10.25	260	10.25	260
A483011HCT	15.75	400	15.75	400	16.25	413	16.25	413
A363611HCT	9.75	248	9.75	248	10.25	260	10.25	260
A483611HCT	15.75	400	15.75	400	16.25	413	16.25	413

Consult UL414 for minimum space requirements based on the wire size and the number of wires per terminal.



87790694

