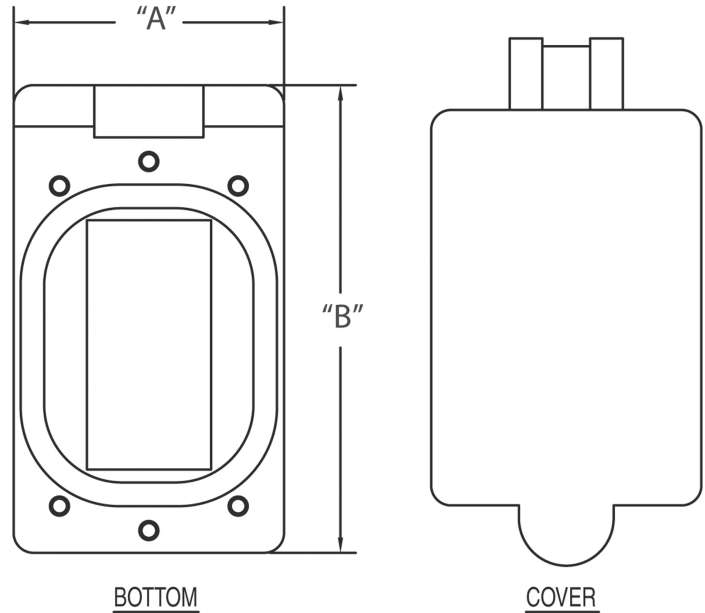


Single Gang GFI Receptacle Cover

CANTEX 5133348 is a 1-Gang Weatherproof GFI Receptacle Cover designed for use with exposed weatherproof boxes.



- Includes gasket and screws
- For use in wet or damp locations
- Durable non-conductive PVC will not rust or corrode
- UL Listed
- Made in USA



Part Number	Trade Size	Carton Quantity	"A"	"B"
5133348	--	10	2.850	4.930

Dimensions are nominal

SINGLE SOURCE FOR PVC ELECTRICAL

CANTEX offers a complete line of PVC Exposed Boxes as part of a full line PVC electrical products. The CANTEX Exposed Box line includes multiple sizes of Type FSC, Type FSE, Type FSS, Type FSCC, Type FDC, and Type FDE and Type FD-Blank Exposed Boxes. The line also includes Blank Single and Double Gang Covers as well as switch and toggle switch covers for Exposed Boxes.

With several decades of experience manufacturing PVC conduit, fittings and accessories, you can trust CANTEX to provide quality products. To see our complete line of PVC Conduit Bodies or our full line of PVC electrical products visit www.cantexinc.com.

