



[Catalog Home](#)

Product Datasheet



ANDERSON FARGO

YPD50185491 -- Yoke



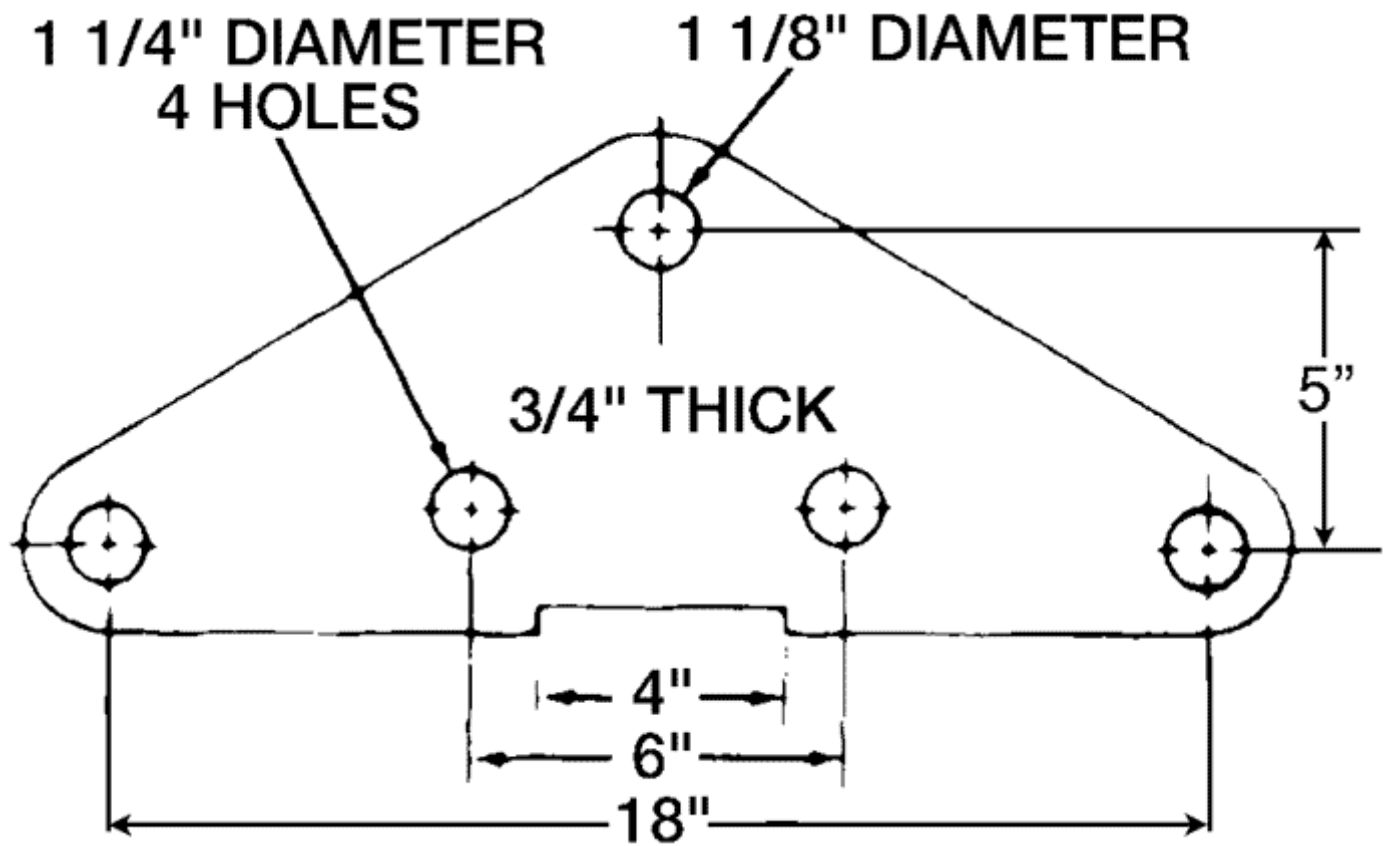
Yoke Plate, Delta, Ductile Iron, UTS 50,000 lb

Product Specifications

<p>Hardware Family</p>	 <p>Yoke Plates & Yoke Assemblies</p>
<p>Yokes</p>	 <p>YPD Series Yoke Plate, Triangular Suspension & Strain Yokes</p>
<p>Insulator / Conductor Hole Spacing</p>	<p>18.00 in (457 mm)</p>
<p>Ultimate Strength</p>	<p>50,000 lb (22,680 kg)</p>
<p>Coupling Length</p>	<p>5.000 in (127.0 mm)</p>
<p>Material</p>	<p>Ductile Iron</p>
<p>Apex Hole Diameter</p>	<p>1.125 in (28.58 mm)</p>
<p>Thickness @ Apex</p>	<p>0.750 in (19.05 mm)</p>
<p>Base Hole Spacing</p>	<p>18.00 in (457.2 mm)</p>
<p>Base Holes Diameter</p>	<p>1.250 in (31.75 mm)</p>
<p>Thickness @ Base</p>	<p>0.750 in (19.05 mm)</p>
<p>Material Type</p>	<p>Standard</p>
<p>UPC Code</p>	<p>09635934504</p>
<p>Standard Package</p>	<p>6</p>
<p>Standard Package Unit</p>	<p>Each</p>
<p>Min Order Qty</p>	<p>1</p>

Compressed Product Number

YPD50185491

[Catalog Home](#)[Warranty Info](#) | [Trademarks](#) | [Terms of Use](#)

All contents Copyright © 2007 Hubbell Power Systems, Inc. All rights reserved.

NOTE: Because Hubbell has a policy of continuous product improvement, we reserve the right to change design and specifications without notice.