



[Catalog Home](#)

Product Datasheet


ANDERSON FARGO

TSCT2150ARIV -- Suspension Clamp

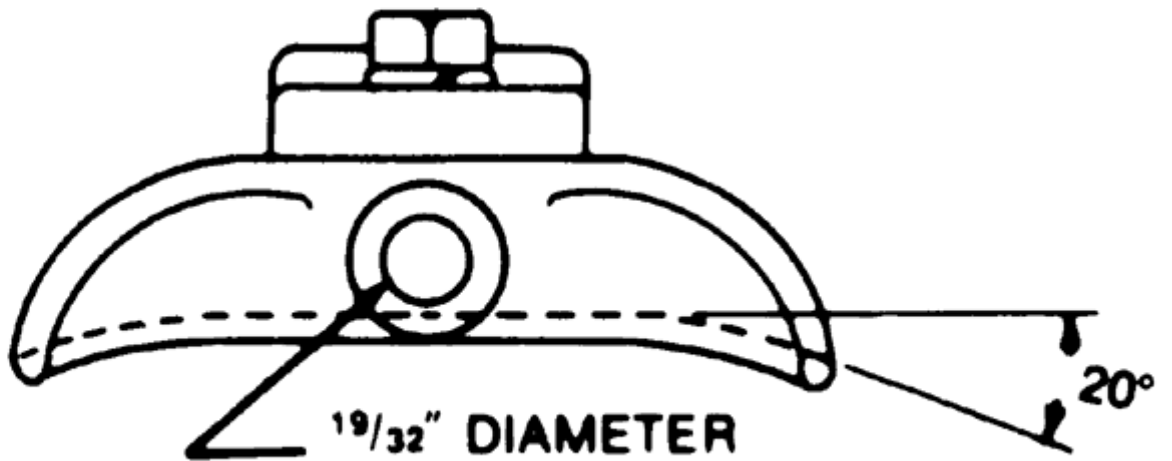
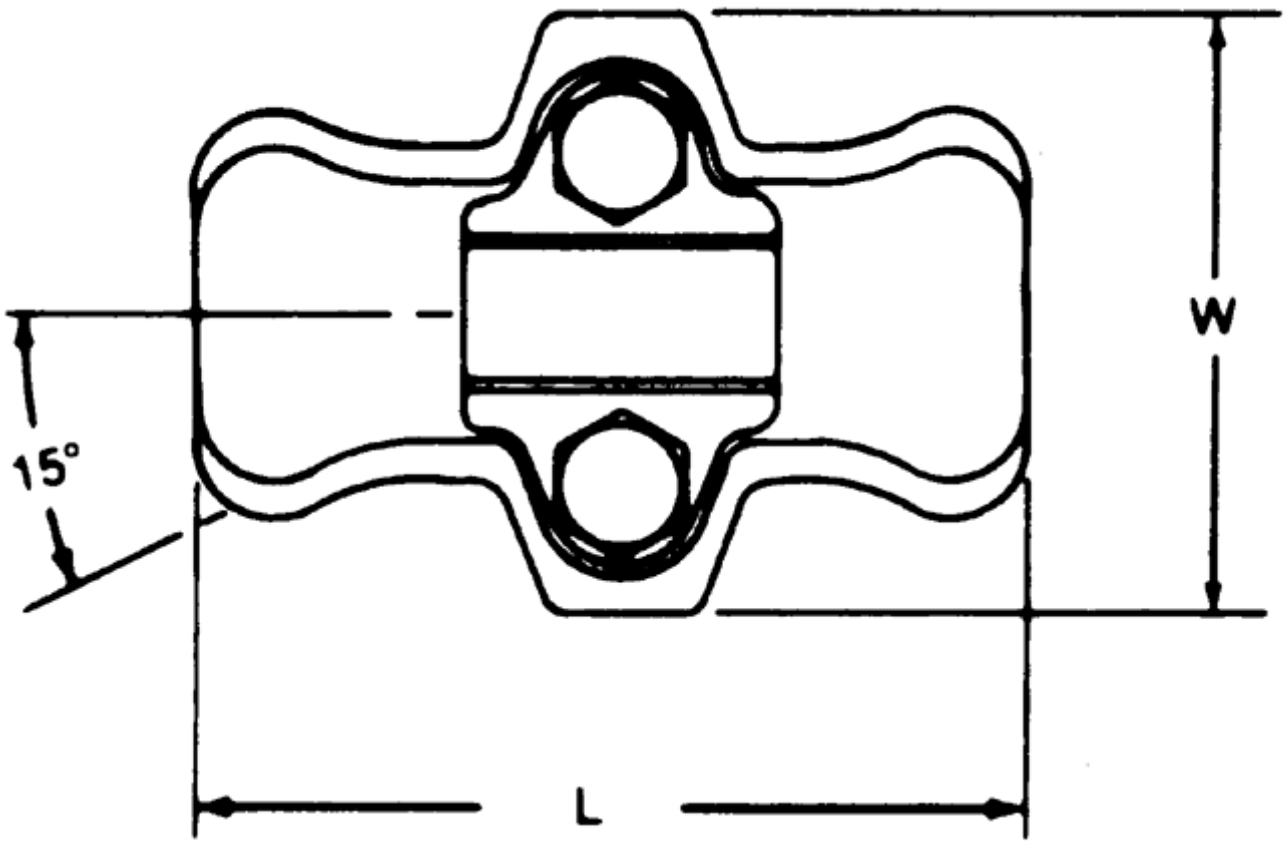


Suspension Clamp, Aluminum, Trunnion Style, for use with conductors 0.316 - 0.563 with Anti-Static Spring

Product Specifications

<p>Series</p>	 <p>TSCT2 series Standard Voltage Trunnion Aluminum for use on T2 conductor</p>
<p>PDF Catalog Page</p>	<p>Click HERE to view the web page.</p>
<p>With Anti-Static Springs</p>	<p>Yes</p>
<p>Clamp Material</p>	<p>Aluminum</p>
<p>Ultimate Body Strength</p>	<p>2,800 lbs (1,270 kgs)</p>
<p>Maximum Take-off Angle 0</p>	<p>20</p>
<p>Dimension J</p>	<p>0.500 in (12.7 mm)</p>
<p>Dimension L</p>	<p>5.25 in (133.3 mm)</p>
<p>Dimension W</p>	<p>3.88 in (98.4 mm)</p>
<p>Hardware Material</p>	<p>Galvanized Steel</p>
<p>Minimum - Maximum Conductor Size</p>	<p>AAC 1 str (7) Thru AAC 3 str (7) w/Armor Rods AAAC 1 str(7) Thru AAAC 4 str(7) w/Armor Rods ACSR 2 (6/1) Thru ACSR 4 (7/1) w/Armor Rods</p>
<p>Clamping Range</p>	<p>0.32 - 0.56 in (8.03 - 14.30 mm)</p>
<p>Voltage Application</p>	<p>Standard</p>
<p>Material Type</p>	<p>Non-Standard</p>
<p>UPC Code</p>	<p>09635933218</p>
<p>Standard Package</p>	<p>1</p>
<p>Standard Package Unit</p>	<p>Each</p>
<p>Min Order Qty</p>	<p>1</p>
<p>Weight / Ea.</p>	<p>5.498 lbs</p>

Compressed Product Number



[Catalog Home](#)



NOTE: Because Hubbell has a policy of continuous product improvement, we reserve the right to change design and specifications without notice.