

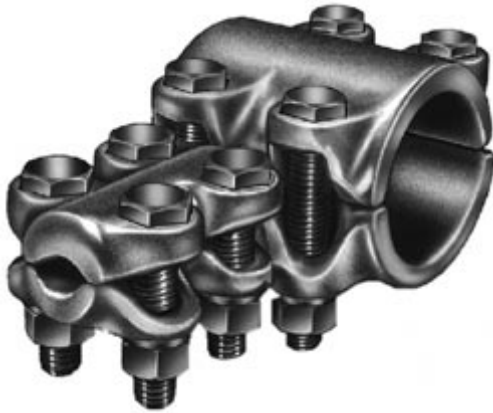


[Catalog Home](#)

Product Datasheet

ANDERSON FARGO

ATTC209 -- Tee, Aluminum Bolted



Tee, Aluminum Bolted, Tube to Cable , 2 IPS/EHIPS to 0.681-0.893 cable

Product Specifications

Family Image



Tees

Tees



ATTC Series
Tube to Cable
Aluminum Bolted Tees

PDF Catalog Page

[Click HERE to view the web page.](#)

Clamping Hardware Material

Aluminum Alloy

Dimension A

3.25 in (82.6 mm)

Dimension B

5.63 in (142.9 mm)

Dimension J

0.50 in (12.7 mm)

Dimension W

3.50 in (88.9 mm)

Tap Conductor Minimum Diameter

0.681

Tap Conductor Maximum Diameter

0.893

Material Type

Non-Standard

UPC Code

09635928843

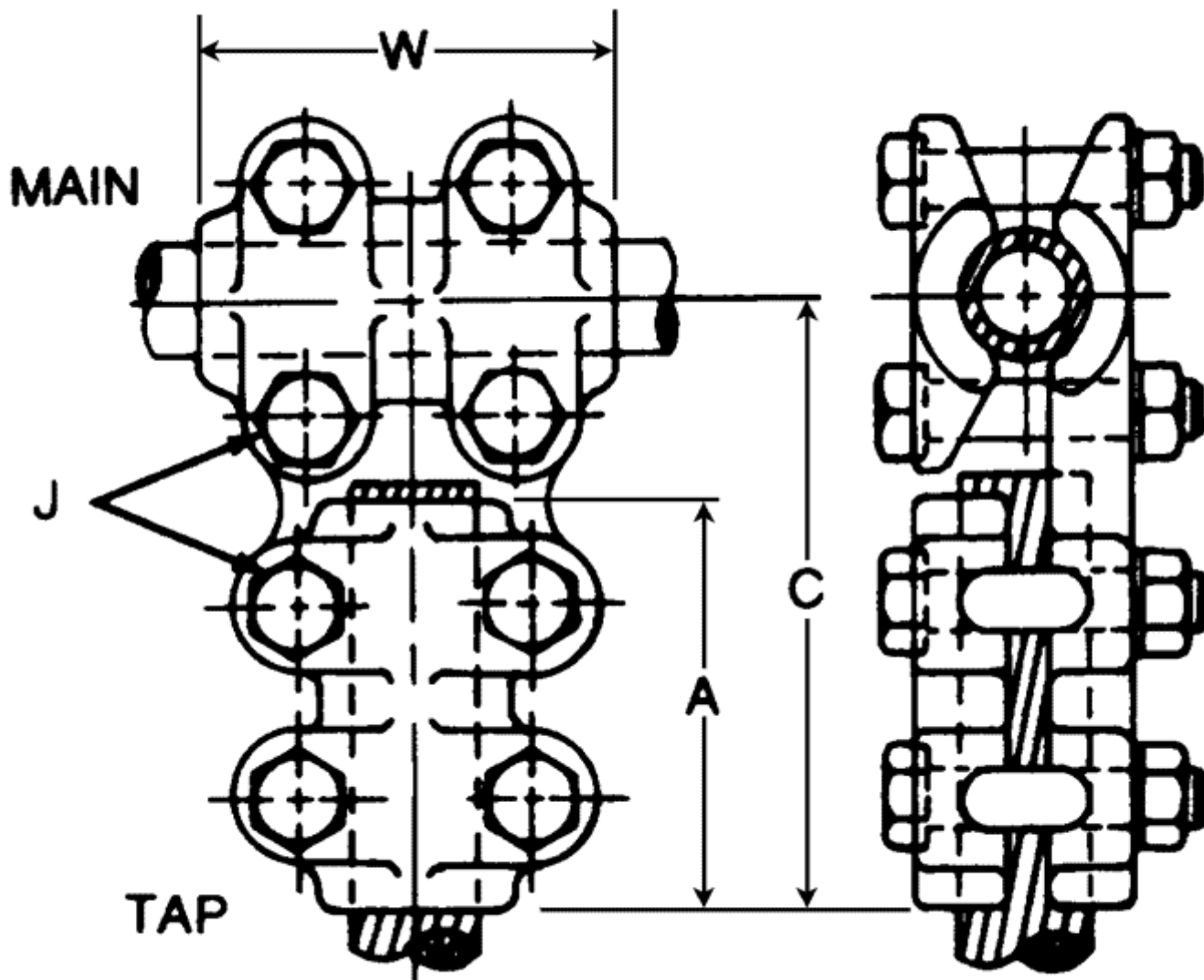
Standard Package

9

| | |
|-----------------------|-----------|
| Standard Package Unit | Each |
| Min Order Qty | 1 |
| Weight / Ea. | 2.156 lbs |

Compressed Product Number

ATTC209



[Catalog Home](#)



[Warranty Info](#) | [Trademarks](#) | [Terms of Use](#)

All contents Copyright © 2007 Hubbell Power Systems, Inc. All rights reserved.

NOTE: Because Hubbell has a policy of continuous product improvement, we reserve the right to change design and specifications without notice.