



Color:  Black

UPC Code: 07847705383

Country Of Origin: United States

NEMA:
L16-20R



27W76-B

Brand Features

Leviton's Wetguard line of industrial watertight wiring devices are the most versatile, well-engineered watertight devices on the market. They meet IP67 and NEMA ratings for water ingress protection, and offer many significant advantages over competitive brands.

Item Description

20 Amp, 480 Volt 3-Phase, NEMA L16-20R, 3P, 4W, Locking Connector, Industrial Grade, Grounding, Wetguard - BLACK

Technical Information

Electrical Specifications

Grounding: Grounding

Amperage: 20 A

Voltage: 480 VAC

Pole: 3

Wire: 4

Dielectric Voltage: Withstands 2000V per UL498

Current Limiting: Full Rated Current

Temperature Rise: Max 30C after 250 cycles OL at 200 percent rated current

Phase: 3-Phase

Environmental Specifications

Flammability: Rated V-2 per UL 94

Operating Temperature: -40°C to 60°C

Environment: Wet

Material Specifications

Body Material: Santoprene TPV

Compression Nut, Strain Relief: Nylon

Body Interior: Nylon

Wire Module: Nylon

Bushing: Santoprene TPV

Blades/Contacts: Electroless Nickel-coated Brass

Terminal Screws: Electroless Nickel-coated Brass

Assembly Screws: Stainless Steel, Non-Magnetic

Mechanical Specifications

Terminal ID: Brass-Hot, Green-Ground, Silver-Neutral

Terminal Accom.: #16 to #10

Product ID: Ratings and NEMA I.D. permanently marked on device

Cord Grip Range (in): .375-.875

Product Features

NEMA: L16-20R

Color: Black

Brand: Wetguard

Device Type: Locking Connector

Standards and Certifications

NEMA: WD-6

ANSI: C-73

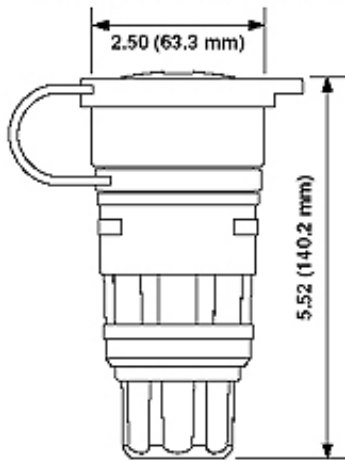
UL: 498

CSA C22.2 No. 42: File LR-406

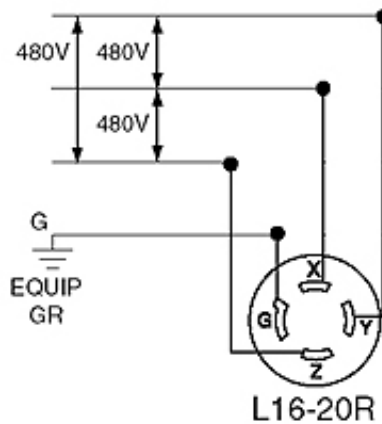
NOM: 057

Warranty: Lifetime Warranty

Dimensional Diagram



Wiring Diagram



SPECIFICATION SUBMITTAL

JOB NAME: <input type="text"/>	CATALOG NUMBERS: <input type="text"/>	
JOB NUMBER: <input type="text"/>	<input type="text"/>	<input type="text"/>

Leviton Manufacturing Co., Inc.

201 North Service Road, Melville, NY 11747

Teléfono: +1-800-323-8920 · FAX: +1-800-832-9538 · Tech Line (8:30AM-7:30PM E.S.T. Monday-Friday): +1-800-824-3005

Leviton Manufacturing of Canada, Ltd.

165 Hymus Boulevard, Pointe Claire, Quebec H9R 1E9 · Telephone: +1-800-469-7890 ·

FAX: +1-800-824-3005 · www.leviton.com/canada

Leviton S. de R.L. de C.V.

Lago Tana 43, Mexico DF, Mexico CP 11290 · Tel.: (+52)55-5082-1040 · FAX: (+52)5386-

1797 · www.leviton.com.mx

Visit our Website at: www.leviton.com

© 2018 Leviton Manufacturing Co., Inc. Todos los derechos reservados. Subject to change without notice.

Leviton has a global presence.

If you would like to know where your local Leviton office is located please go to:

www.leviton.com/international/contacts/

