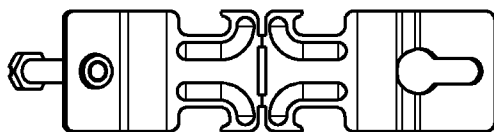
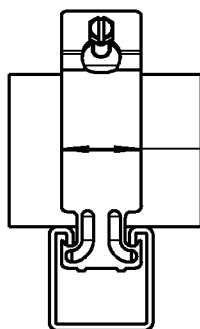




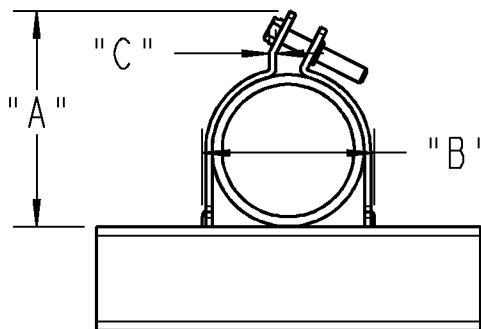
# Kindorf®



ONE PIECE BREAK APART DESIGN  
WITH INTEGRAL SCREW



1.25



C109 2EG	3.79	2.62	.104 12 GA C1008 HOT ROLLED STEEL	2" Angler Universal Pipe Strap Silver Galv Finish
C109 2				2" Angler Universal Pipe Strap Galv Krom Finish
C109 1-1/2EG	3.27	2.15		1-1/2" Angler Universal Pipe Strap Silver Galv Finish
C109 1-1/2				1-1/2" Angler Universal Pipe Strap Galv Krom Finish
C109 1-1/4EG	2.84	1.90		1-1/4" Angler Universal Pipe Strap Silver Galv Finish
C109 1-1/4				1-1/4" Angler Universal Pipe Strap Galv Krom Finish
C109 1EG	2.38	1.43	.071 14 GA C1008 HOT ROLLED STEEL	1" Angler Universal Pipe Strap Silver Galv Finish
C109 1				1" Angler Universal Pipe Strap Galv Krom Finish
C109 3/4EG	2.16	1.28		3/4" Angler Universal Pipe Strap Silver Galv Finish
C109 3/4				3/4" Angler Universal Pipe Strap Galv Krom Finish
C109 1/2EG	.186	1.07		1/2" Angler Universal Pipe Strap Silver Galv Finish
C109 1/2				1/2" Angler Universal Pipe Strap Galv Krom Finish
CATALOG NO.	-A-	-B-	-C-	DESCRIPTION

**GENERAL NOTES**

- ALL DIMENSIONS ARE FOR REFERENCE ONLY.
- DIMENSIONS IN BRACKETS [ ] ARE IN METRIC UNITS.

**REVISIONS**

\*\*\* SEE ERN ( \*\*\*\* ) FOR APPROVAL SIGNATURES & RELEASE DATE.  
PROJECT NO: \*\*\*\*

**Thomas & Betts**  
www.tnb.com

DESCRIPTION:

**Angler Universal Pipe Strap  
1/2" thru 2" EMT & Rigid**

ORIGINAL PROJECT NO / ( ERN NO )

**XD55552 / ( 2006361 )**

SHEET NO:

**1 OF 1**

REV. NO:

**-**

DRAWING NO:

**WSD-000231**