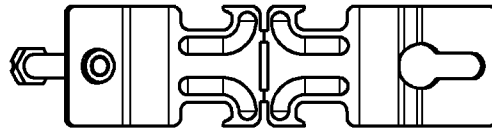
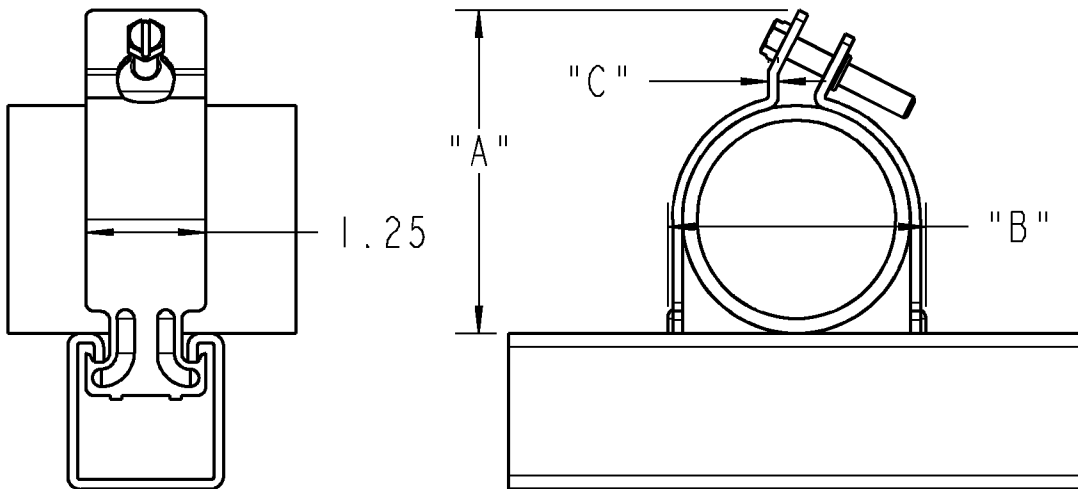




# Kindorf



ONE PIECE BREAK APART DESIGN  
WITH INTEGRAL SCREW



C109 4EG	5.76	4.80	.125 11 GA C1008 HOT ROLLED STEEL	4" Angler Pipe Strap Silver Galv Finish
C109 4				4" Angler Pipe Strap Galv Krom Finish
C109 3-1/2EG	5.33	4.35	.104 12 GA C1008 HOT ROLLED STEEL	3-1/2" Angler Pipe Strap Silver Galv Finish
C109 3-1/2				3-1/2" Angler Pipe Strap Galv Krom Finish
C109 3EG	4.71	3.81	.104 12 GA C1008 HOT ROLLED STEEL	3" Angler Pipe Strap Silver Galv Finish
C109 3				3" Angler Pipe Strap Galv Krom Finish
C109 2-1/2EG	4.08	3.19	.104 12 GA C1008 HOT ROLLED STEEL	2-1/2" Angler Pipe Strap Silver Galv Finish
C109 2-1/2				2-1/2" Angler Pipe Strap Galv Krom Finish
CATALOG NO.	-A-	-B-	-C-	DESCRIPTION

**GENERAL NOTES**

- ALL DIMENSIONS ARE FOR REFERENCE ONLY.
- DIMENSIONS IN BRACKETS [ ] ARE IN METRIC UNITS.

**REVISIONS**

\*\* SEE ERN ( \*\*\*\* ) FOR APPROVAL SIGNATURES & RELEASE DATE.  
PROJECT NO: \*\*\*\*

**Thomas & Betts**  
www.tnb.com

DESCRIPTION:

**Angler Pipe Strap  
2-1/2" thur 4" EMT, Rigid**

ORIGINAL PROJECT NO / ( ERN NO )	SHEET NO:	REV. NO:	DRAWING NO:
XD55552 / ( 2006362 )	1 OF 1	-	<b>WSD-000249</b>