



# Cast Aluminum LED Exit Signs Pendant Mounting Kit Installation Instructions

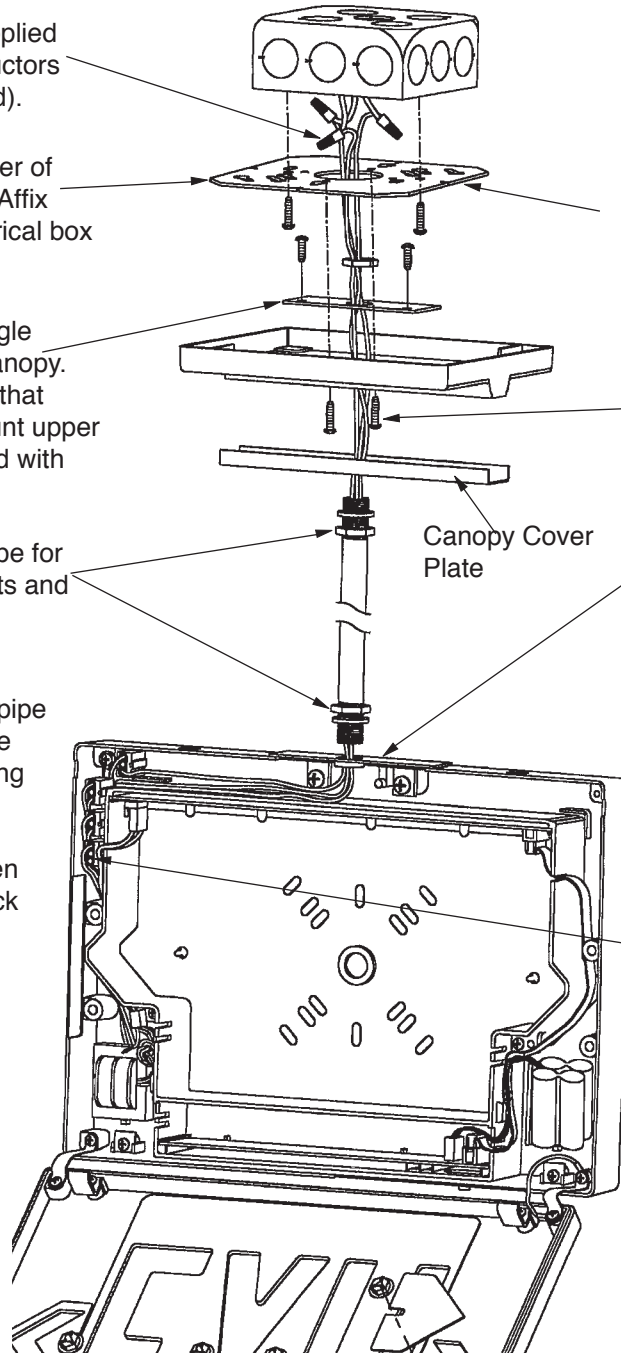
1. Connect pigtail leads supplied with kit to AC input conductors (including building ground).

2. Route wires through center of mounting adaptor plate. Affix adaptor plate using electrical box screws.

3. Remove existing right angle mounting bracket from canopy. Using the two #8 screws that held the old bracket, mount upper pendant bracket (supplied with kit) to canopy.

4. Prepare pendant stem pipe for mounting by installing nuts and locking washers.

5. Assemble pendant stem pipe to canopy assembly in the sequence shown (including canopy cover plate). Thread stem pipe onto upper conduit nut. Tighten lower stem pipe nut to lock assembly together.



6. Thread conductor wires through canopy/stem pipe assembly as shown. Mount canopy/stem pipe assembly to electrical box adaptor plate using captive screws provided.

7. Remove breakout section at top center of exit housing. Mount lower pendant bracket to exit housing using two #10-32 screws provided.

8. Thread exit onto stem pipe. Rotate exit to desired position and tighten stem nut to lock sign in place.

9. Make AC connections using push-in connectors.  
**For 120VAC, connect black and white leads.**  
**For 277VAC, connect red and white leads.**  
**Note:** Use push-in connector on green wire for building ground connection in all applications.



Hubbell Lighting, Inc.