



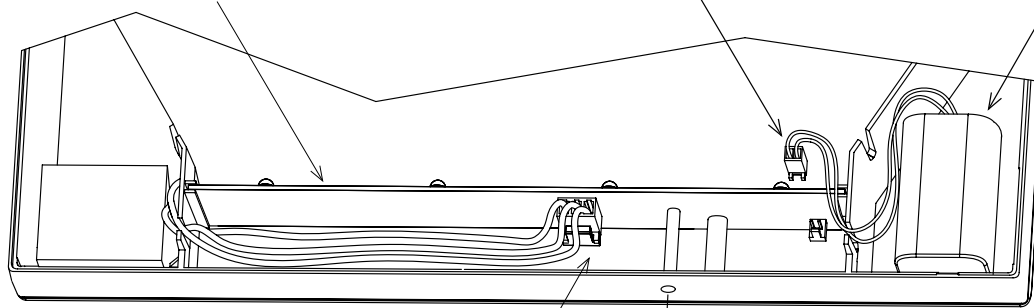
INSTALLATION INSTRUCTIONS - LX/SE SERIES EXIT LIGHT FIELD KIT

EMERGENCY OPERATION MODULE

REMOVE EXISTING PC BOARD.
SLIDE EM PC BOARD INTO RETAINER
SLOTS.

PLUG 2-PIN BATTERY LEAD
CONNECTOR ONTO PC BOARD.

INSERT BATTERY PACK INTO
COMPARTMENT USING DOUBLE-
SIDED TAPE TO SECURE.



PLUG TRANSFORMER
SECONDARY CONNECTOR
ONTO PC BOARD.

93031341

NOTE: BATTERIES MAY BE
SHIPPED UNCHARGED.
CHARGE BATTERIES FULLY
BEFORE TESTING.

NOTE: REMOVE ANY EXISTING LABELS AS
REQUIRED. CLEAN BOTTOM OF SIGN AND
APPLY AC ON/PUSH TO TEST LABEL OVER
INDICATOR OPENING AS SHOWN.

IMPORTANT SAFEGUARDS

When using electrical equipment, basic safety precautions should always be followed including the following.

READ AND FOLLOW ALL SAFETY INSTRUCTIONS

1. Do not use outdoors.
2. Do not let power supply cords touch hot surfaces.
3. Do not mount near gas or electric heaters.
4. Equipment should be mounted in locations and at heights where it will not readily be subjected to tampering by unauthorized personnel.
5. The use of accessory equipment not recommended by the manufacturer may cause an unsafe condition.
6. Do not use this equipment for other than intended use.
7. Servicing of this equipment should be performed by qualified service personnel.

SAVE THESE INSTRUCTIONS

For additional installation, operation and maintenance information refer to instruction sheet 93028841 supplied with exit sign.

Warning:

This product contains chemicals known to the state of California to cause cancer, birth defects, and/or other reproductive harm. Thoroughly wash hands after installing, handling, cleaning, or otherwise touching this product.

93031341

Hubbell Lighting, Inc. Life Safety Products • www.dual-lite.com

Copyright © Hubbell Lighting, Inc., All Rights Reserved • Specifications subject to change without notice.

Printed in U.S.A.



93031342 A 9/16