



[Catalog Home](#)

**Product Datasheet**


**ANDERSON FARGO**

**GC1113B -- Grounding Clamp**

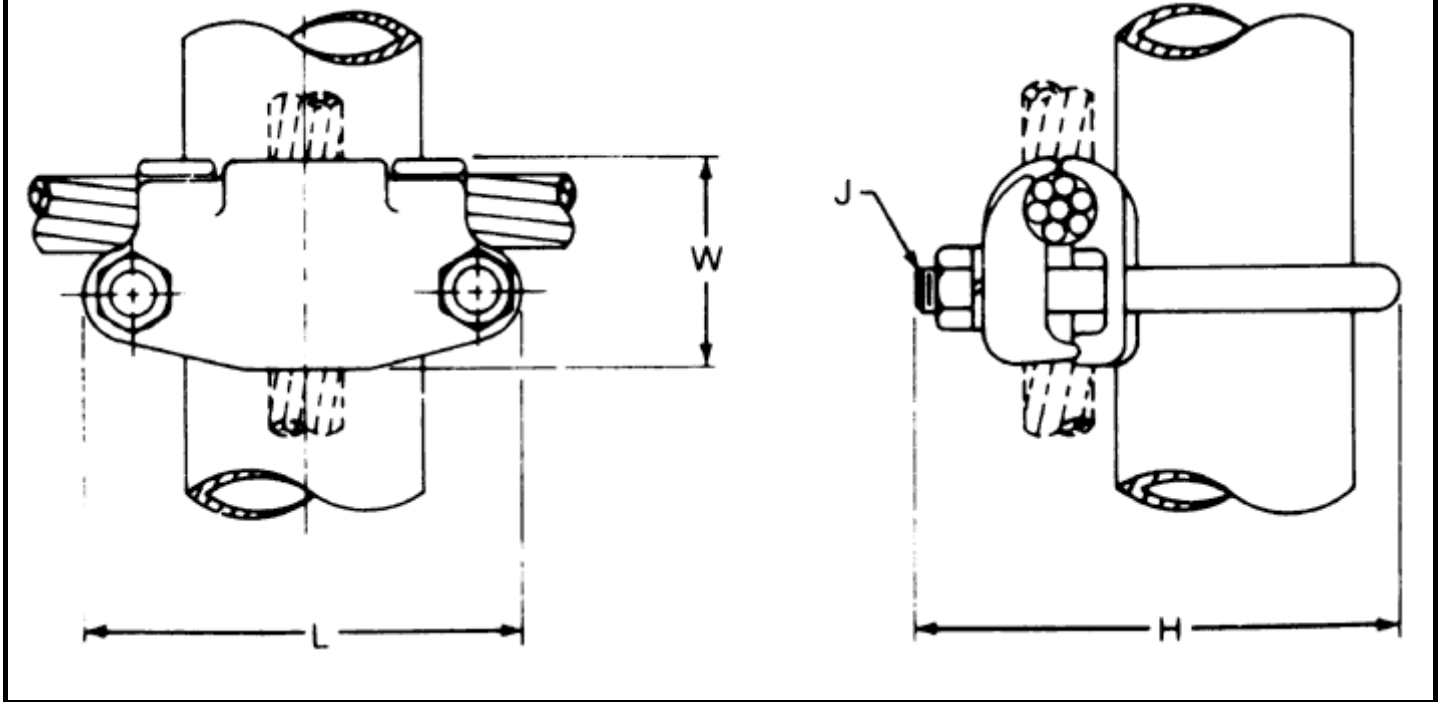


Grounding Clamp, Copper Cable to Rod or Tube, U-bolt style

**Product Specifications**

<p>Series</p>	 <p><b>GC-111 Series</b> Bronze Cable to Rod or Tube Grounding Clamps</p>
<p>PDF Catalog Page</p>	<p><a href="#">Click HERE to view the web page.</a></p>
<p>Clamping Hardware Diameter</p>	<p>3/8 - 3/4 in</p>
<p>Rod / Tube O.D. Size</p>	<p>5/8 - 1 in</p>
<p>Rod / Tube Size (Ips)</p>	<p>3/8 - 3/4 in</p>
<p>Material</p>	<p>Bronze</p>
<p>Hardware Material</p>	<p>Stainless Steel</p>
<p>Dimension H</p>	<p>3.13 in (79.38 mm)</p>
<p>Dimension J</p>	<p>.38 in (9.52 mm)</p>
<p>Dimension L</p>	<p>2.38 in (60.32 mm)</p>
<p>Dimension W</p>	<p>1.63 in (41.28 mm)</p>
<p>Conductor Size Min. / Max.</p>	<p>Cu 4 sol Thru Cu 2/0 str (19)</p>
<p>Conductor Type</p>	<p>Copper</p>
<p>Minimum Conductor Diameter</p>	<p>0.204 (in)</p>
<p>Maximum Conductor Diameter</p>	<p>0.419 (in)</p>
<p>UPC Code</p>	<p>09635930587</p>
<p>Standard Package</p>	<p>45</p>
<p>Standard Package Unit</p>	<p>Each</p>
<p>Min Order Qty</p>	<p>1</p>
<p>Weight / Ea.</p>	<p>0.804 lbs</p>
<p>Material Type</p>	<p>Non-Standard</p>

**Compressed Product Number**



[Catalog Home](#)



[Warranty Info](#) | [Trademarks](#) | [Terms of Use](#)

*All contents Copyright © 2007 Hubbell Power Systems, Inc. All rights reserved.*

NOTE: Because Hubbell has a policy of continuous product improvement, we reserve the right to change design and specifications without notice.