



Product Datasheet

ANDERSON FARGO

WTH503 -- Bus Support, Aluminum Weldment



Bus Support, Aluminum Weldment, Open, Rigid or Slip Fit, 5 IPS/EHIPS Tube to Insulator, 3 in B.C.

Product Specifications

Family Image



Bus Supports

Bus Supports



WTH Series

Tube to Insulator, Open Clamp
Slip-Fit or Rigid Aluminum
Weldment Bus Supports

PDF Catalog Page

[Click HERE to view the web page.](#)

Bolt Circle Diameter

3

Mounting Hardware Material

Galvanized Steel

Dimension C

4.88 in (123.82 mm)

Dimension J

.50 in (12.7 mm)

Dimension K

.56 in X .75 in

Dimension L

9.38 in (238.12 mm)

Dimension W

7.88 in (200.02 mm)

Material Type

Non-Standard

UPC Code

09635934287

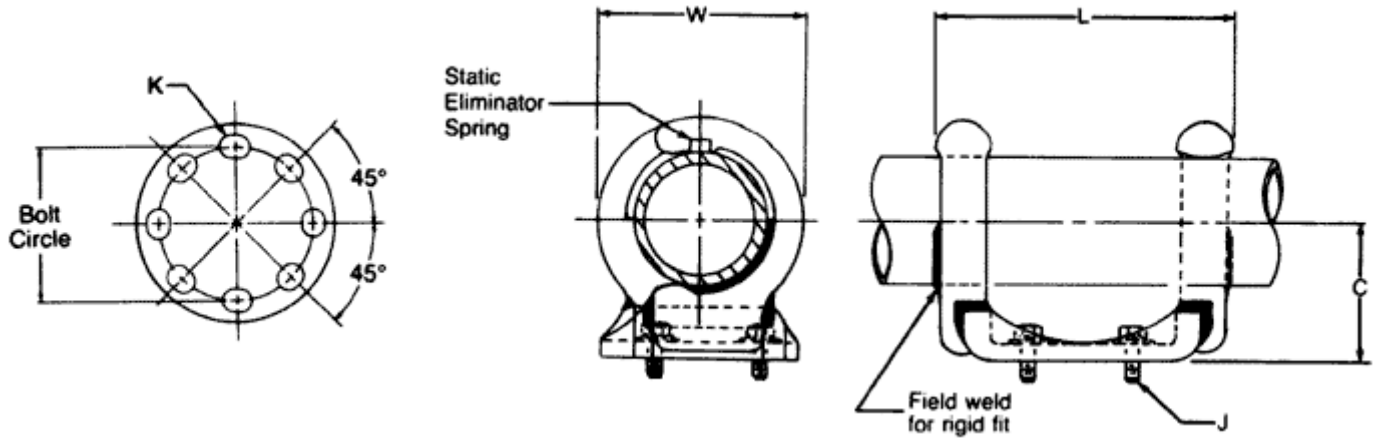
Standard Package

1

Standard Package Unit	Each
Min Order Qty	1
Weight / Ea.	4.508 lbs

Compressed Product Number

WTH503



[Catalog Home](#)



[Warranty Info](#) | [Trademarks](#) | [Terms of Use](#)

All contents Copyright © 2007 Hubbell Power Systems, Inc. All rights reserved.

NOTE: Because Hubbell has a policy of continuous product improvement, we reserve the right to change design and specifications without notice.