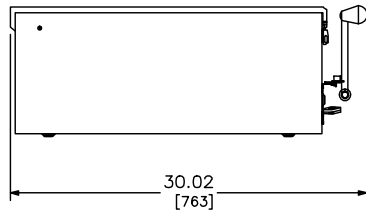


NEMA TYPE 3R
ILLUSTRATED



NOTES:
FINISH - GRAY BAKED ENAMEL
SHORT CIRCUIT CURRENT RATING:
10,000 AMPERES WHEN PROTECTED BY CLASS H OR K FUSES.
82,000 LINE DEVICES ARE LOAD-MAKE, LOAD-BREAK.
cULus LISTED - FILE E-2875.
SUITABLE FOR USE AS SERVICE EQUIPMENT IN US ONLY
▲USE LEFT AND RIGHT SWITCHING POLES FOR 250VDC APPLICATION.

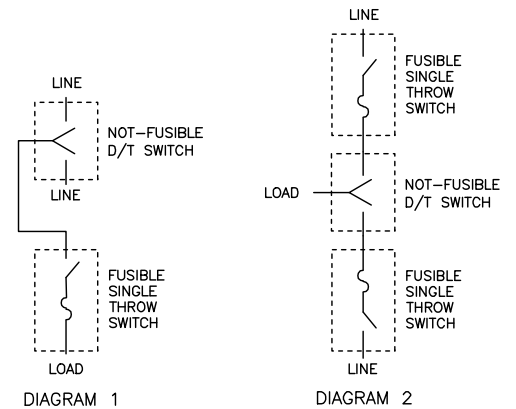
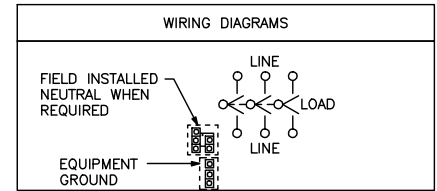


DIAGRAM 1 AND 2 ILLUSTRATE METHODS OF APPLYING FUSES TO DOUBLE THROW SWITCHES WHEN REQUIRED.

DUAL DIMENSIONS: INCHES
MILLIMETERS

FIELD INSTALLABLE ACCESSORIES	
NEUTRAL KIT	DT400N
ELECTRICAL INTERLOCK	EK400DTU2
EQUIPMENT GROUND	(2) PK0GTA2

CATALOG NUMBER	VOLTAGE RATINGS	TERMINAL LUGS		
		AMPERES	WIRE RANGE	TYPE
82345R	600VAC/250VDC ▲	400	(1) 1/0-600 KCML OR (2) 1/0-300	AL/CU

DOUBLE THROW SAFETY SWITCHES
400 AMPERE
ENCLOSURE - NEMA TYPE 3R RAINPROOF



DWG# 3381
NO.