

NOTES:  
FINISH - GRAY BAKED ENAMEL  
SHORT CIRCUIT CURRENT RATING:  
10,000 AMPERES WHEN PROTECTED BY CLASS H OR K FUSES.  
100,000 AMPERES WHEN PROTECTED BY CLASS J, CLASS R OR CLASS T FUSES.  
DTU LINE DEVICES ARE LOAD-MAKE, LOAD-BREAK.  
UL LISTED - FILE E-5239-G AND cUL LISTED FOR USE IN CANADA.  
SUITABLE FOR USE AS SERVICE EQUIPMENT IN US ONLY.  
● SERVICE GROUND SUPPLIED BY FACTORY. PART NUMBER FOR REPLACEMENT PURPOSES ONLY.  
▲ USE ANY TWO SWITCHING POLES.

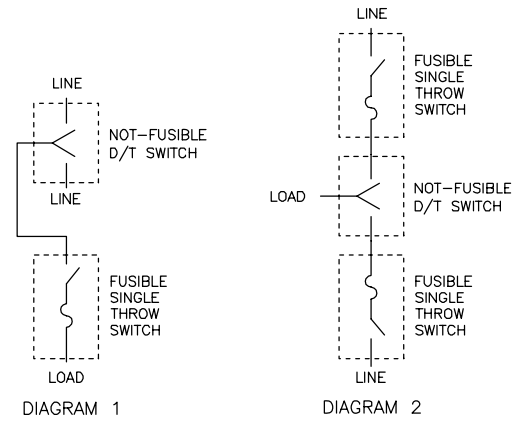
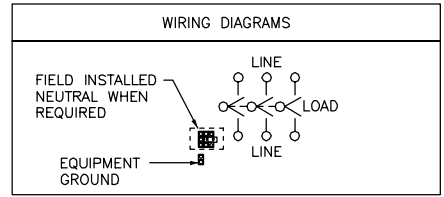


DIAGRAM 1 AND 2 ILLUSTRATE METHODS OF APPLYING FUSES TO DOUBLE THROW SWITCHES WHEN REQUIRED.

DUAL DIMENSIONS: INCHES  
MILLIMETERS

HORSEPOWER RATING			
VOLTAGE	PHASE	STD	MAX
240VAC	3	125	---
480VAC	3	250	---
600VAC	3	350	---
250VDC▲	---	50	---

FIELD INSTALLABLE ACCESSORIES	
NEUTRAL KIT	DT600NKD
ELECTRICAL INTERLOCK	DS200EK2D
EQUIPMENT GROUND ●	DS468GKD
BONDING KIT	DT600BKD

CATALOG NUMBER	VOLTAGE RATINGS	TERMINAL LUGS			
		AMPERES	MAX WIRE	MIN WIRE	TYPE
DTU366	600VAC/250VDC	600	(2) 500 KCMIL	(2) 250	AL/CU

DOUBLE THROW SAFETY SWITCHES  
600 AMPERE  
ENCLOSURE - NEMA TYPE 1 GENERAL PURPOSE



DWG# 3393  
NO.