

Weatherproof Outlet Boxes

Features:

- Durable die cast aluminum construction for long product life
- Powder paint finish for corrosive environments
- Boxes supplied with required installation hardware
- Tapered NPT hubs

Standard Materials and Finishes:

- Boxes – die cast aluminum
- Self-closing covers – zinc die cast
- Toggle switch covers – stamped aluminum
- Blank covers – steel

Certifications and Compliances:

- UL Standard UL514A
- UL Listed File No. E-15022
- cUL Standard CSA C22.2 No 18.1-04
- Suitable for wet locations

SINGLE GANG – 18.0 CUBIC INCH CAPACITY – 2" DEEP CAST ALUMINUM – UL LISTED FOR WET LOCATIONS



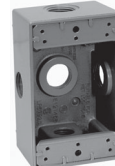
TP7010 - TP7018



TP7026, TP7034



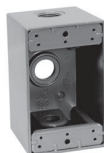
TP7042, TP7050



TP7058, TP7066

Cat. #	Description	Outlet Holes	Color	Unit Qty.	Wt. Lbs. Per 100
TP7010	With Lugs	3 - 1/2"	Gray	50	58.3
TP7011	With Lugs	3 - 1/2"	White	50	58.3
TP7012	With Lugs	3 - 1/2"	Bronze	50	58.3
TP7018	With Lugs	3 - 3/4"	Gray	50	58.3
TP7026	With Lugs	4 - 1/2"	Gray	50	58.3
TP7034	With Lugs	4 - 3/4"	Gray	50	58.3
TP7042	With Lugs	5 - 1/2"	Gray	50	58.3
TP7050	With Lugs	5 - 3/4"	Gray	50	58.3
TP7058	Side Entry, with Lugs	5 - 1/2"	Gray	50	58.3
TP7066	Side Entry, with Lugs	5 - 3/4"	Gray	50	58.3

SINGLE GANG – 24.0 CUBIC INCH CAPACITY – 2 5/8" DEEP CAST ALUMINUM – UL LISTED FOR WET LOCATIONS



TP7074, TP7078, TP7082

Cat. #	Description	Outlet Holes	Color	Unit Qty.	Wt. Lbs. Per 100
TP7074	With Lugs	3 - 1/2"	Gray	25	80
TP7078	With Lugs	3 - 3/4"	Gray	25	80
TP7082	With Lugs	3 - 1"	Gray	25	80

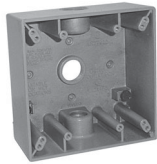
Weatherproof

Weatherproof Outlet Boxes

TWO GANG – 30.5 CUBIC INCH CAPACITY

2" DEEP

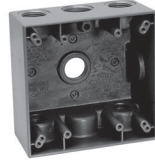
CAST ALUMINUM – UL LISTED FOR WET LOCATIONS



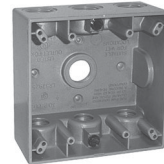
TP7086 - TP7090



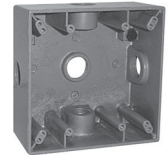
TP7094, TP7098



TP7102, TP7106



TP7110, TP7114



TP7118, TP7122

Cat. #	Description	Color	Unit Qty.	Wt. Lbs. Per 100
TP7086	3 - 1/2" Holes	Gray	10	83.3
TP7087	3 - 1/2" Holes	White	10	83.3
TP7088	3 - 1/2" Holes	Bronze	10	83.3
TP7090	3 - 3/4" Holes	Gray	10	83.3
TP7094	4 - 1/2" Holes	Gray	10	83.3
TP7098	4 - 3/4" Holes	Gray	10	83.3
TP7102	5 - 1/2" Holes	Gray	10	83.3
TP7106	5 - 3/4" Holes	Gray	10	83.3
TP7110	7 - 1/2" Holes	Gray	10	83.3
TP7114	7 - 3/4" Holes	Gray	10	83.3
TP7118	5 - 1/2" Holes	Gray	10	83.3
TP7122	5 - 3/4" Holes	Gray	10	83.3

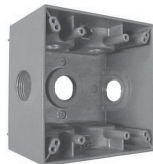
TWO & THREE GANG

2 5/8" DEEP

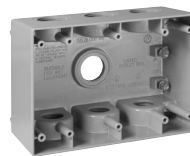
CAST ALUMINUM – UL LISTED FOR WET LOCATIONS



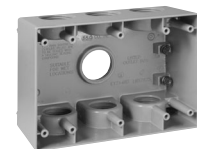
TP7126, TP7130, TP7134



TP7137, TP7138, TP7142



TP7143



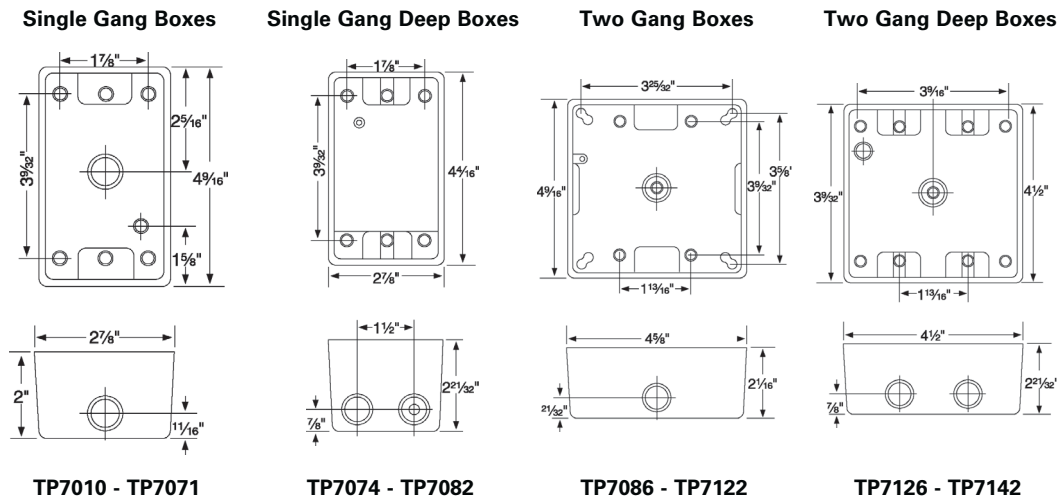
TP7144

Cat. #	Description	Color	Capacity Cu. In.	Unit Qty.	Wt. Lbs. Per 100
Two Gang Deep Weatherproof Outlet Boxes					
TP7126	5 - 1/2" Holes	Gray	37	6	140
TP7130	5 - 3/4" Holes	Gray	37	6	140
TP7134	5 - 1" Holes	Gray	37	6	140
TP7137	7 - 1/2" Holes	Gray	37	6	140
TP7138	7 - 3/4" Holes	Gray	37	6	140
TP7142	7 - 1" Holes	Gray	37	6	140
Three Gang Deep Weatherproof Outlet Boxes					
TP7143	7 - 3/4" Holes	Gray	59	5	159
TP7144	7 - 1" Holes	Gray	59	5	159

Weatherproof

Weatherproof Outlet Boxes

Dimensions (in Inches):



ONE & TWO GANG WEATHERPROOF EXTENSIONS

1" DEEP, DIE CAST ALUMINUM EXTENSION RING
GASKET & MOUNTING SCREWS INCLUDED WITH COVER
UL LISTED FOR WET LOCATIONS



TP7120



TP7123

Cat. #	Description	Color	Capacity Cu. In.	Unit Qty.	Wt. Lbs. Per 100
TP7120	Single Gang	Gray	9	25	27.2
TP7123	Two Gang	Gray	10	10	27.2

EXTENSION ADAPTER

DIE CAST ALUMINUM
MOUNTING SCREW & GASKET INCLUDED WITH COVER
UL LISTED FOR WET LOCATIONS



Cat. #	Description	Color	Capacity Cu. In.	Unit Qty.	Wt. Lbs. Per 100
TP7173	4 - 1/2" Holes	Gray	9.5	25	23.6
TP7174	4 - 3/4" Holes	Gray	13.0	25	27.8

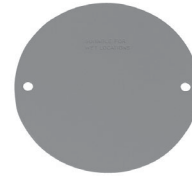
Weatherproof

Weatherproof Outlet Boxes

4" ROUND – 15.5 CUBIC INCH CAPACITY

1½" DEEP, DIE CAST ALUMINUM, UL LISTED FOR WET LOCATIONS

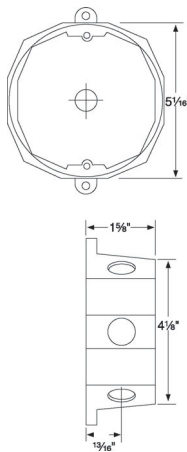
- GROUND SCREW PROVIDED WITH BOX
- GASKET & MOUNTING SCREWS INCLUDED WITH COVER



Cat. #	Side Holes	Back Hole	Color	Unit Qty.	Wt. Lbs. Per 100
TP7146	4 - ½"	½"	Gray	25	79.2
TP7148	4 - ½"	½"	White	25	79.2
TP7149	4 - ½"	½"	Bronze	25	79.2
TP7150	4 - ¾"	¾"	Gray	25	79.2
TP7158	Blank Cover Plate	-	Gray	50	20.8
With Blank Plate					
TP7147	4 - ½"	½"	Gray	24	100.0
TP7151	4 - ¾"	¾"	Gray	24	100.0
2" Deep Round Weatherproof Outlet Box Extension (18.3 Cubic Inch Capacity)					
TP7152	4 - ½"	-	Gray	25	58.3

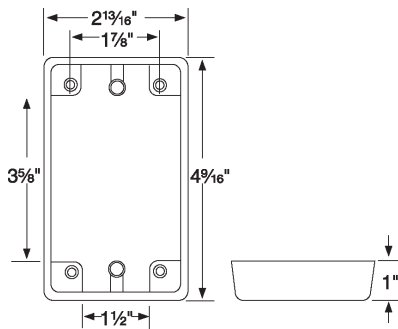
Dimensions (in Inches):

Round Boxes

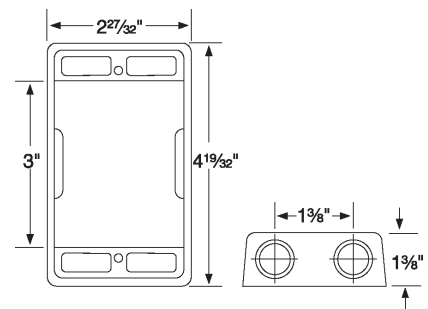


TP7146

Extension Rings & Flanged Boxes



TP7120



TP7120

Weatherproof