



**Product Datasheet**



**ANDERSON FARGO**

**SDT2112S -- Strain Clamp, Quadrant, Heavy Duty, T2 Conductor**



Strain Clamp, Quadrant, Heavy Duty, T2 Conductor, Aluminum, Conductor Range 0.502 - 0.562 in, Fitting: Socket

**Product Specifications**

<p><b>Category Image</b></p>	 <p><b>Bolted Deadends</b> Aluminum &amp; Bronze Quadrant Aluminum &amp; Copper Conductor</p>
<p><b>Series Image (Quadrant)</b></p>	 <p><b>SD Series</b> Quadrant Dead End Bolted, Aluminum AAC, AAAC &amp; ACSR Conductor</p>
<p><b>PDF Catalog Page</b></p>	<p><a href="#">Click HERE to view the web page.</a></p>
<p><b>Fitting Type</b></p>	<p>Socket</p>
<p><b>Style</b></p>	<p>SDT2 - Strain Clamp, Quadrant, Heavy Duty, T2 Conductor</p>
<p><b>Type</b></p>	<p>Bolted</p>
<p><b>Material</b></p>	<p>Aluminum</p>
<p><b>Voltage Application</b></p>	<p>Std</p>

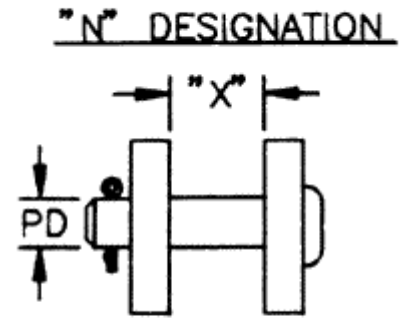
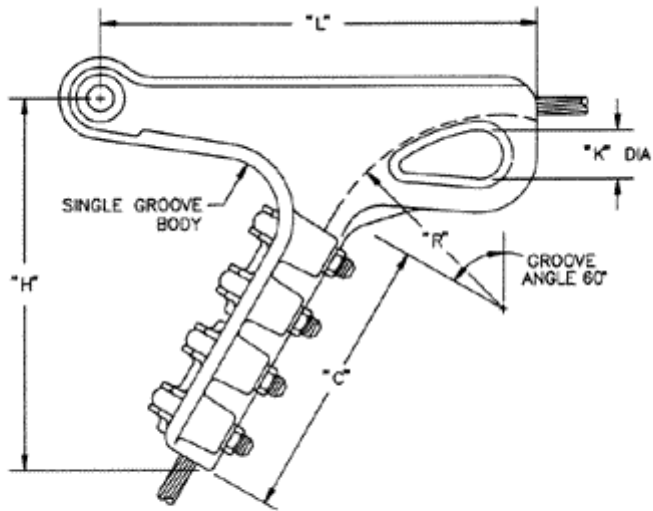
<b>Body and Keeper Material</b>	356 T6 Aluminum Alloy
<b>Socket and Clevis Material</b>	Galvanized Ductile Iron
<b>Cotter Pin Material</b>	#302 Stainless Steel
<b>Hardware Material</b>	Galvanized Steel
<b>Ultimate Body Strength</b>	30,000 lb (13,608 kg)
<b>U-Bolts</b>	5
<b>Bolt Size</b>	5/8 in (15.88 mm)
<b>Dimension C</b>	8 1/4 in (209.6 mm)
<b>Dimension H</b>	11.50 in (292.1 mm)
<b>Dimension K</b>	1 3/8 in (34.33 mm)
<b>Dimension L</b>	13 1/8 in (333.38 mm)
<b>Dimension R</b>	6 .50 in (165.1 mm)
<b>Pin Diameter</b>	0.750 in (19.05 mm)
<b>Dimension X</b>	1 3/8 in (34.93 mm)
<b>Conductor Range Minimum - Maximum</b>	AAC 4/0 str (7) Thru AAC 4/0 str (19) AAAC 3/0 str(7) ACSR 3/0 (6/1) Thru ACSR 134.6 kcmil (12/7)
<b>Minimum Conductor Diameter</b>	0.502
<b>Maximum Conductor Diameter</b>	0.562
<b>Weight / Ea.</b>	9.7 lbs
<b>Standard Package</b>	1
<b>UPC Code</b>	09635932566

### Notes

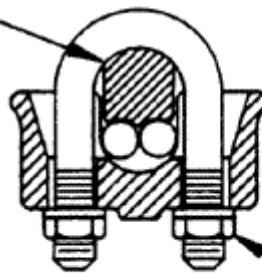
For use with ANSI class 52-3 & 52-5 insulators.

### Compressed Product Number

SDT2112S



DOUBLE GROOVE  
KEEPER



TIGHTEN TO RECOMMENDED  
TORQUE

Dimensions

Catalog Home



[Warranty Info](#) | [Trademarks](#) | [Terms of Use](#)

All contents Copyright © 2007 Hubbell Power Systems, Inc. All rights reserved.

NOTE: Because Hubbell has a policy of continuous product improvement, we reserve the right to change design and specifications without notice.