

NEMA TYPE 3R
ILLUSTRATED

NOTES:
FINISH - GRAY BAKED ENAMEL
SHORT CIRCUIT CURRENT RATING:
10,000 AMPERES WHEN PROTECTED BY CLASS H OR K FUSES.
82,000 LINE DEVICES ARE LOAD-MAKE, LOAD-BREAK.
UL LISTED - FILE E-2875 AND CUL CERTIFIED FOR USE IN CANADA
SUITABLE FOR USE AS SERVICE EQUIPMENT IN U.S. ONLY.

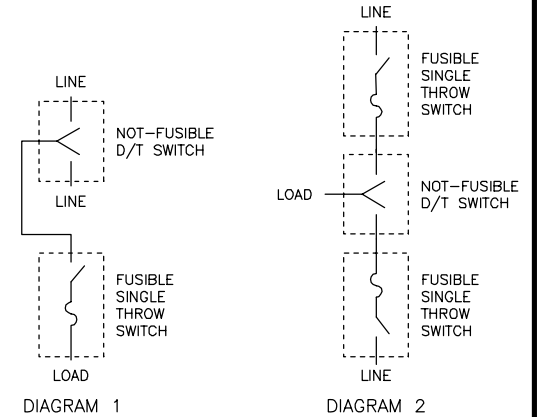
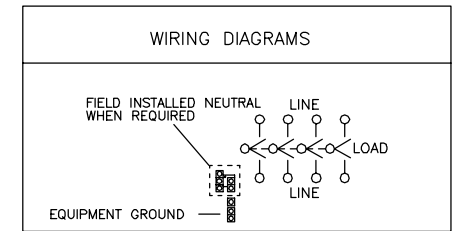


DIAGRAM 1 AND 2 ILLUSTRATE METHODS OF APPLYING FUSES TO DOUBLE THROW SWITCHES WHEN REQUIRED.

DUAL DIMENSIONS: INCHES
MILLIMETERS

FIELD INSTALLABLE ACCESSORIES	
NEUTRAL KIT	DT200N
ELECTRICAL INTERLOCK	EK400DTU2
EQUIPMENT GROUND	DT100SG

CATALOG NUMBER	VOLTAGE RATINGS	AMPERES	TERMINAL LUGS		
			MAX. WIRE	MIN. WIRE	TYPE
82454R	240VAC/250VDC	200	300 KCMIL	#6	AL/CU

DOUBLE THROW SAFETY SWITCHES
200 AMPERE
ENCLOSURE - NEMA TYPE 3R RAINPROOF



DWG# 3423
No.