



Product Datasheet

ANDERSON FARGO

WTT2154020 -- Tee, Aluminum Weldment



Tee, Aluminum Weldment, Angle, Tube to Two Tubes, 4 to 2 IPS/EHIPS tubes

Product Specifications

Family Image



Tees

Tees



WTT2-15 Series
Tube to Two Tubes, 15 Degree
Aluminum Weldment Tees

PDF Catalog Page

[Click HERE to view the web page.](#)

Dimension A

2.00 in (50.8 mm)

Dimension B

8.00 in (203.2 mm)

Dimension C

3.38 in (85.7 mm)

Dimension L

4.38 in (111.1 mm)

Material Type

Non-Standard

UPC Code

09635934352

Standard Package

6

Standard Package Unit

Each

Min Order Qty

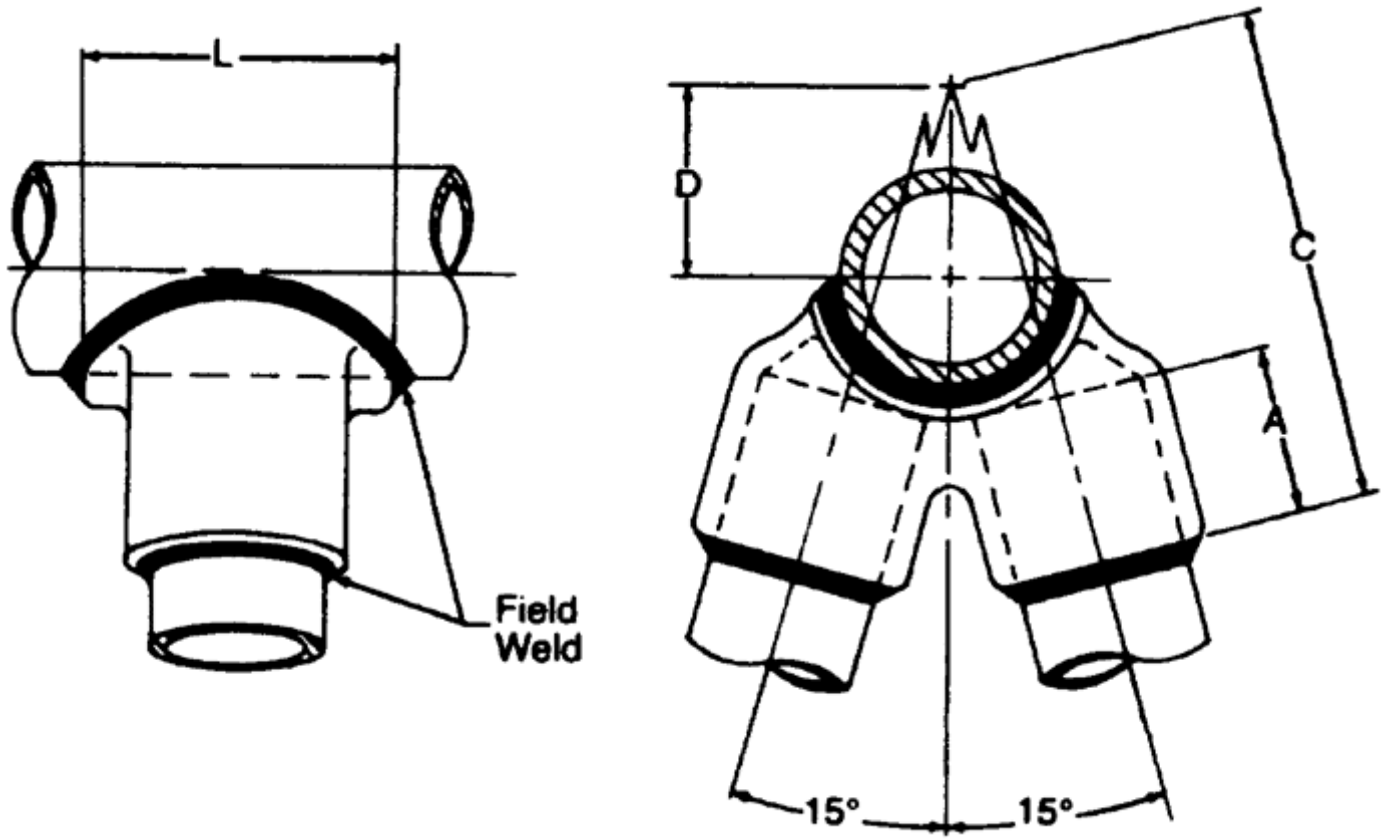
1

Weight / Ea.

3.038 lbs

Compressed Product Number

WTT2154020



[Catalog Home](#)



[Warranty Info](#) | [Trademarks](#) | [Terms of Use](#)

All contents Copyright © 2007 Hubbell Power Systems, Inc. All rights reserved.

NOTE: Because Hubbell has a policy of continuous product improvement, we reserve the right to change design and specifications without notice.