



[Catalog Home](#)

Product Datasheet

ANDERSON FARGO

GC1119C -- Grounding Clamp



Grounding Clamp, Copper Cable to Rod or Tube, U-bolt style

Product Specifications

Series



GC-111 Series
Bronze
Cable to Rod or Tube
Grounding Clamps

PDF Catalog Page

[Click HERE to view the web page.](#)

Clamping Hardware Diameter

3 in

Rod / Tube O.D. Size

3 1/2 in

Rod / Tube Size (Ips)

3 in

Material

Bronze

Hardware Material

Stainless Steel

Dimension H

6.13 in (155.58 mm)

Dimension J

.50 in (12.70 mm)

Dimension L

5.13 in (130.08 mm)

Dimension W

1.88 in (47.62 mm)

Conductor Size Min. / Max.

Cu 2/0 sol Thru Cu 250 kcmil (37)

Conductor Type

Copper

Minimum Conductor Diameter

0.365 (in)

Maximum Conductor Diameter

0.575 (in)

UPC Code

09635930614

Standard Package

1

Standard Package Unit

Each

Min Order Qty

1

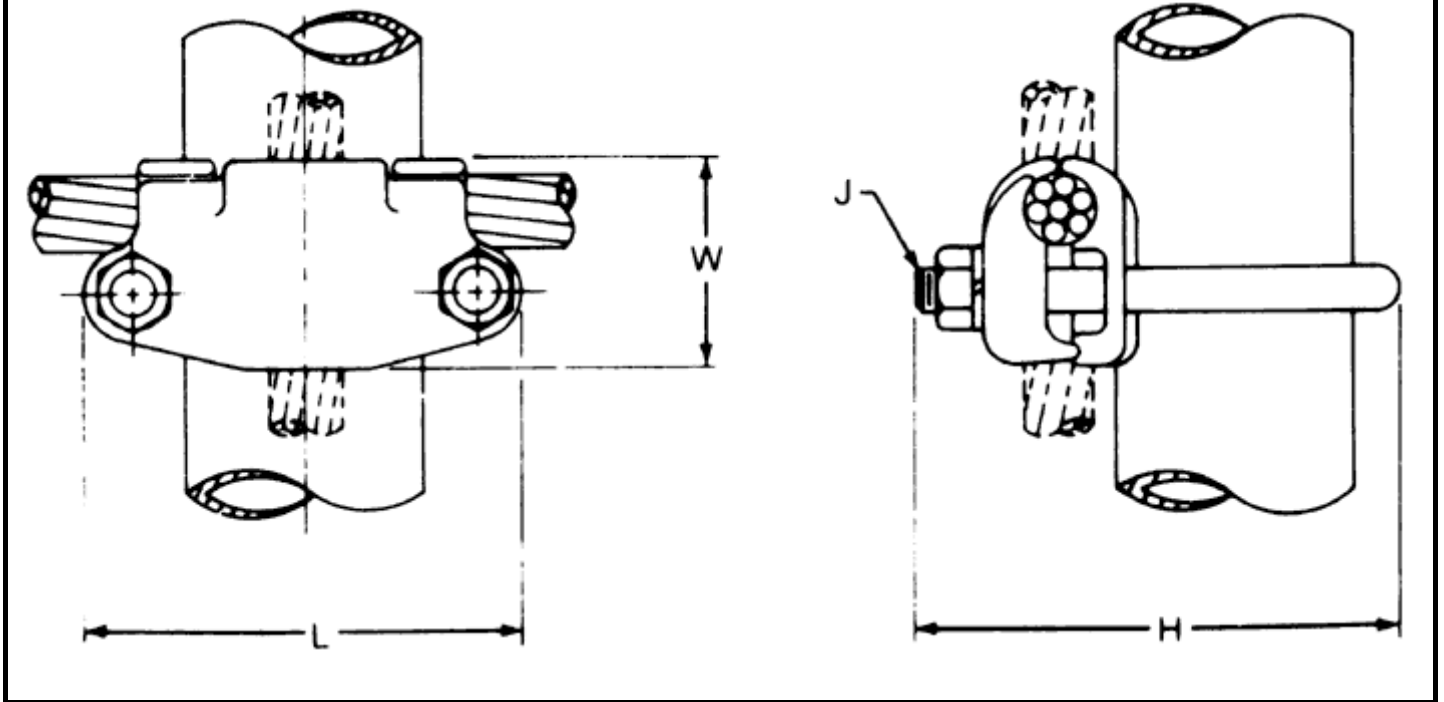
Weight / Ea.

2.45 lbs

Material Type

Non-Standard

Compressed Product Number



[Catalog Home](#)



[Warranty Info](#) | [Trademarks](#) | [Terms of Use](#)

All contents Copyright © 2007 Hubbell Power Systems, Inc. All rights reserved.

NOTE: Because Hubbell has a policy of continuous product improvement, we reserve the right to change design and specifications without notice.