

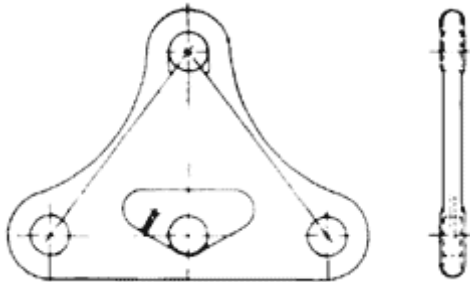


Catalog Home

**Product Datasheet**

**ANDERSON FARGO**

**YPD30152382 -- Yoke**



Yoke Plate, Delta, Ductile Iron, UTS 30,000 lb

**Product Specifications**

Hardware Family



Yoke Plates &  
Yoke Assemblies

Yokes

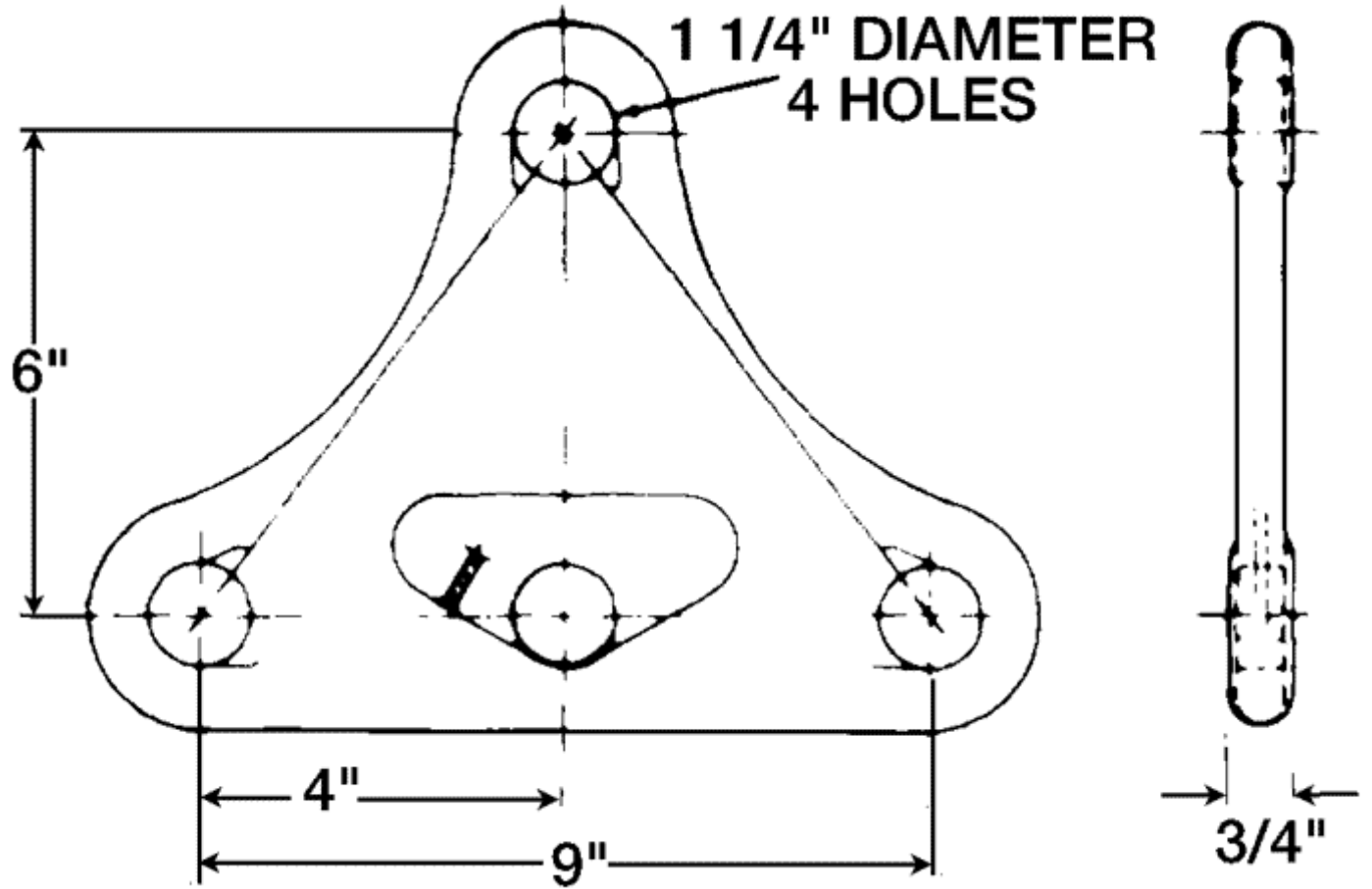


YPD Series  
Yoke Plate, Triangular  
Suspension & Strain Yokes

<b>Insulator / Conductor Hole Spacing</b>	9.00 in (229 mm)
<b>Ultimate Strength</b>	30,000 lb ( 13,608 kg)
<b>Coupling Length</b>	6.000 in (152.4 mm)
<b>Material</b>	Ductile Iron
<b>Apex Hole Diameter</b>	1.250 in (31.75 mm)
<b>Thickness @ Apex</b>	0.750 in (19.05 mm)
<b>Base Hole Spacing</b>	9.000 in (228.6 mm)
<b>Base Holes Diameter</b>	1.250 in (31.75 mm)
<b>Thickness @ Base</b>	0.750 in (19.05 mm)
<b>Material Type</b>	Non-Standard
<b>UPC Code</b>	09635934484
<b>Standard Package</b>	6
<b>Standard Package Unit</b>	Each
<b>Min Order Qty</b>	1
<b>Weight / Ea.</b>	7.35 lbs

**Compressed Product Number**

YPD30152382



[Catalog Home](#)



[Warranty Info](#) | [Trademarks](#) | [Terms of Use](#)

*All contents Copyright © 2007 Hubbell Power Systems, Inc. All rights reserved.*

NOTE: Because Hubbell has a policy of continuous product improvement, we reserve the right to change design and specifications without notice.