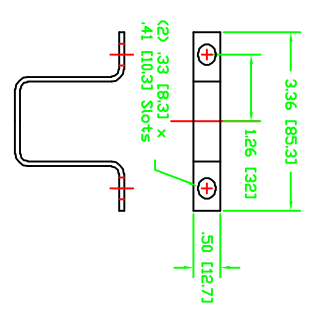


NOTES:
 1. Dim in [mm].
 2. (3) U-strap assemblies included.

Interface Complies with
 ANSI/IEEE 386, Figure 5



REV DATE
 11/20/06

CONFIDENTIAL: THIS DRAWING AND ITS CONTENTS ARE THE EXCLUSIVE PROPERTY OF HUBBELL POWER SYSTEMS. NO REPRODUCTION, STORAGE, DISTRIBUTION, OR DISSEMINATION WITHOUT THE WRITTEN CONSENT OF HUBBELL POWER SYSTEMS. UNPUBLISHED. ALL RIGHTS RESERVED UNDER THE COPYRIGHT LAWS.		CHARDON TOLERANCE CHART HUBBELL POWER SYSTEMS		
TITLE	SIZE	DWG NO.	CAT / PART / ASSY NO.	REV
JUNCTION	B	4P 15 KV	215J4U	1
DO NOT SCALE THIS DRAWING	DRN BY	JVR	DATE	11/07/06
				SHEET 1 OF 1