

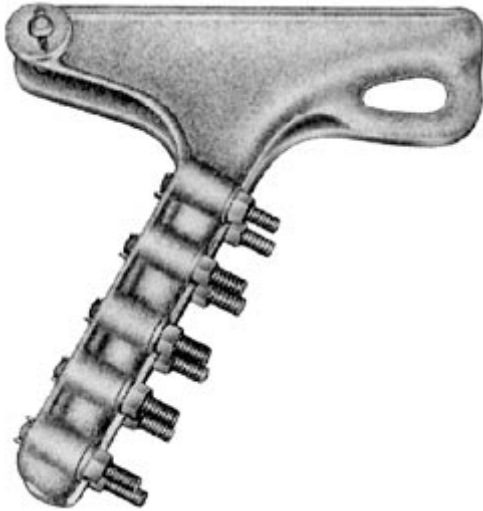


[Catalog Home](#)

Product Datasheet



ANDERSON FARGO

SDT2185N -- Strain Clamp, Quadrant, Heavy Duty, T2 Conductor



Strain Clamp, Quadrant, Heavy Duty, T2 Conductor, Aluminum, Conductor Range 0.642 - 0.879 in, Fitting: None

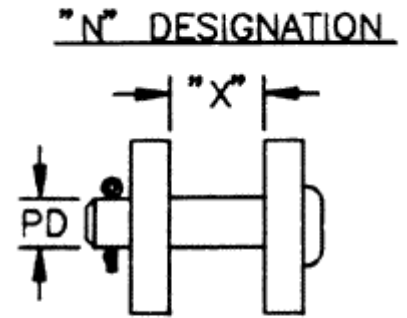
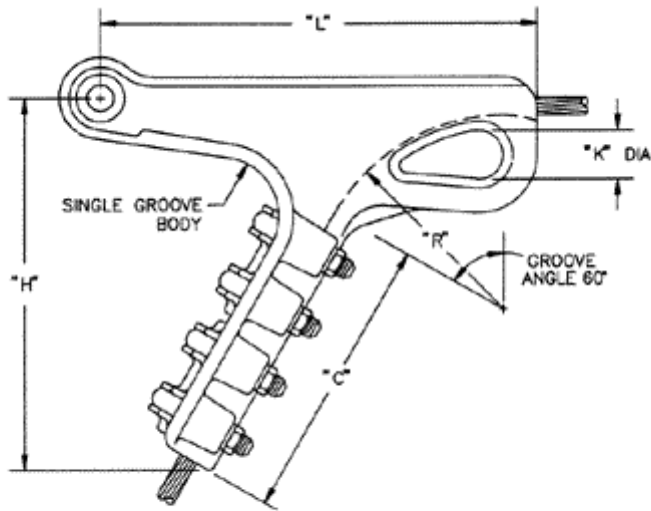
Product Specifications

<p>Category Image</p>	 <p>Bolted Deadends Aluminum & Bronze Quadrant Aluminum & Copper Conductor</p>
<p>Series Image (Quadrant)</p>	 <p>SD Series Quadrant Dead End Bolted, Aluminum AAC, AAAC & ACSR Conductor</p>
<p>PDF Catalog Page</p>	<p>Click HERE to view the web page.</p>
<p>Fitting Type</p>	<p>None</p>
<p>Style</p>	<p>SDT2 - Strain Clamp, Quadrant, Heavy Duty, T2 Conductor</p>
<p>Type</p>	<p>Bolted</p>
<p>Material</p>	<p>Aluminum</p>
<p>Voltage Application</p>	<p>Std</p>
<p>Body and Keeper Material</p>	<p>356 T6 Aluminum Alloy</p>
<p>Cotter Pin Material</p>	<p>#302 Stainless Steel</p>

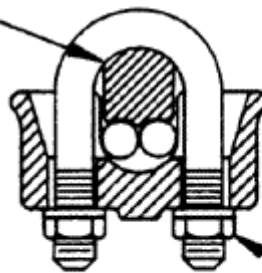
Hardware Material	Galvanized Steel
Ultimate Body Strength	50,000 lb (22,680 kg)
U-Bolts	5
Bolt Size	5/8 in (15.88 mm)
Dimension C	12 3/8 in (314.32 mm)
Dimension H	18 in (457.20 mm)
Dimension K	1 .50 in (38.1 mm)
Dimension L	17 in (431.80 mm)
Dimension R	12 in (304.8 mm)
Pin Diameter	1.0 in (25.40 mm)
Clevis Opening	1.875 in (47.63 mm)
Dimension X	1 7/8 in (47.63 mm)
Conductor Range Minimum - Maximum	AAC 336.4 kcmil (19) Thru AAC 556.5 kcmil (37) AAAC 312.8 kcmil str (19) Thru AAAC 559.6 kcmil str (19) ACSR 266.8 kcmil (26/7) Thru ACSR 556.5 kcmil (18/1) ACAR 503.6 kcmil (15/4) Thru ACAR 587.2 kcmil (15/4)
Minimum Conductor Diameter	0.642
Maximum Conductor Diameter	0.879
Weight / Ea.	21.78 lbs
Standard Package	2
UPC Code	09635932568

Compressed Product Number

SDT2185N



DOUBLE GROOVE
KEEPER



TIGHTEN TO RECOMMENDED
TORQUE

Dimensions

Catalog Home



[Warranty Info](#) | [Trademarks](#) | [Terms of Use](#)

All contents Copyright © 2007 Hubbell Power Systems, Inc. All rights reserved.

NOTE: Because Hubbell has a policy of continuous product improvement, we reserve the right to change design and specifications without notice.