



Product Datasheet

ANDERSON FARGO

DSC1102512 -- Stud Connector, Bronze



Stud Connector, Bronze, 1-1/8-12 Stud to 0.204-0.575 Cable, Straight

Product Specifications

Family Image



Stud Connectors

Stud Connectors

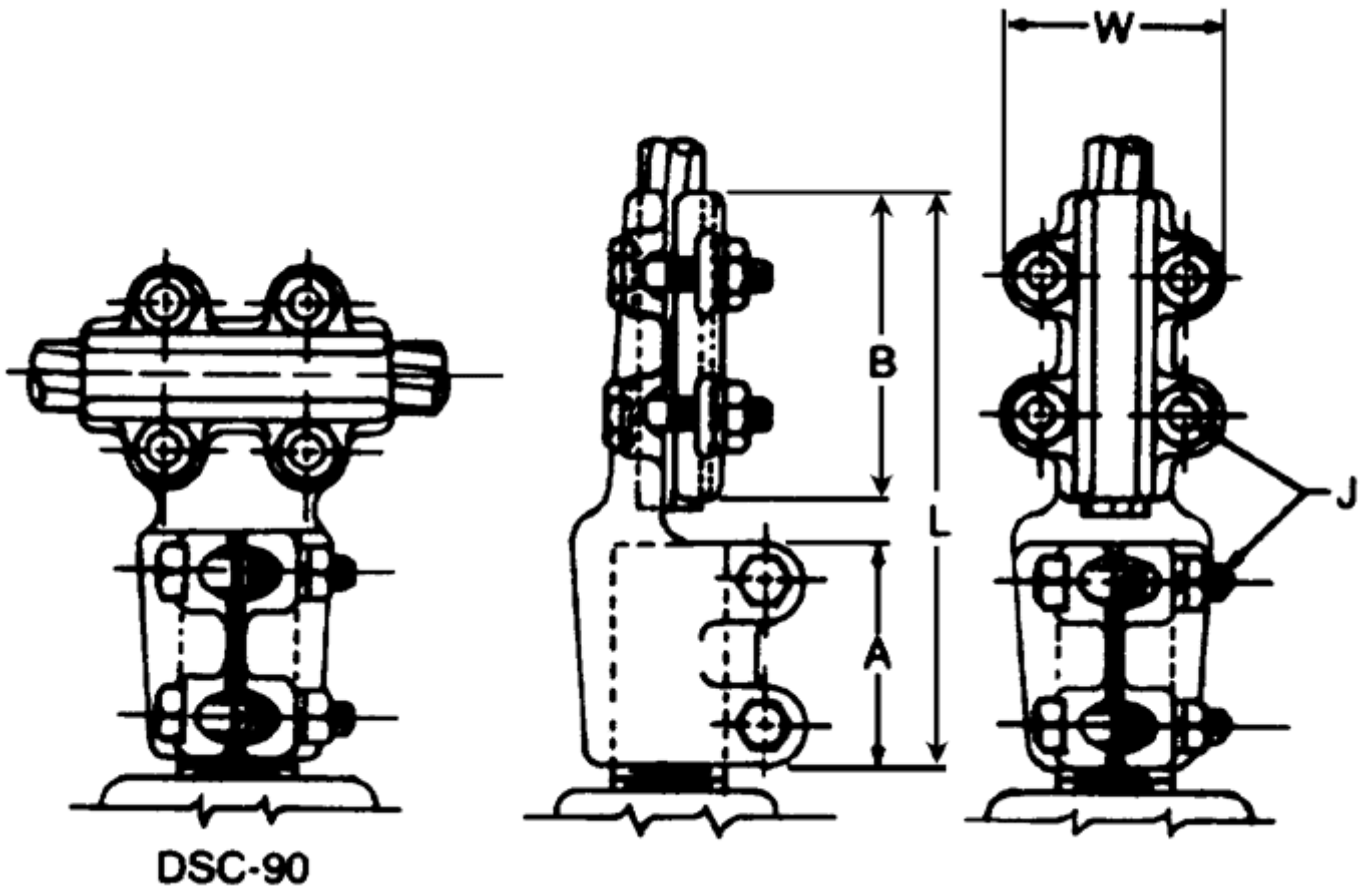


DSC Series
Stud to Cable
Bronze Bolted Stud Connectors

PDF Catalog Page	Click HERE to view the web page.
Stud Diameter - Threads	1 1/8 in - 12
Stud to Conductor Angle	Straight
Clamping Hardware Size	.5 in
Clamping Hardware Material	Stainless Steel
Dimension A	2.25 in (57.2 mm)
Dimension B	2.50 in (63.5 mm)
Dimension J	.50 in (12.7 mm)
Dimension L	5.25 in (133.4 mm)
Dimension W	2.38 in (60.3 mm)
Minimum Conductor	0.204
Maximum Conductor	0.575
Material Type	Non-Standard
UPC Code	09635930058
Standard Package	1
Standard Package Unit	Each
Min Order Qty	1
Weight / Ea.	3.626 lbs

Notes
 To specify 90 degree connector, insert "-90" into catalog number: EXAMPLE: DSC-14050-90-12

Compressed Product Number
 DSC1102512



[Catalog Home](#)



[Warranty Info](#) | [Trademarks](#) | [Terms of Use](#)

All contents Copyright © 2007 Hubbell Power Systems, Inc. All rights reserved.

NOTE: Because Hubbell has a policy of continuous product improvement, we reserve the right to change design and specifications without notice.