



**Product Datasheet**



**ANDERSON FARGO**

**SA11 -- Socket Eye**



Socket Eye, Ductile Iron, Eye: 1.125" with 0.688" Hole, UTS 30,000 lb; For use with ANSI class 52-3 & 52-5 insulators.

**Product Specifications**

<p><b>Hardware Family</b></p>	 <p>Socket Eye &amp; Socket Clevis</p> <p>Coupling Fittings</p>
<p><b>Socket Fittings</b></p>	 <p>SA Series Socket-Eye Coupling Fittings</p>
<p><b>PDF Catalog Page</b></p>	<p><a href="#">Click HERE to view the web page.</a></p>
<p><b>Ultimate Strength</b></p>	<p>30,000 lb ( 13,608 kg)</p>
<p><b>Coupling Length</b></p>	<p>2.063 in (52.40 mm)</p>
<p><b>Eye Width</b></p>	<p>1.125 in (28.58 mm)</p>

<b>Eye Hole Diameter</b>	0.688 in (17.48 mm)
<b>Dimension R</b>	0.813 in (20.64 mm)
<b>Dimension W</b>	1.125 in (28.58 mm)
<b>Material</b>	Ductile Iron
<b>Cotter Pin Material</b>	Stainless Steel
<b>Material Type</b>	Non-Standard
<b>UPC Code</b>	09635932468
<b>Standard Package</b>	36
<b>Standard Package Unit</b>	Each
<b>Min Order Qty</b>	1
<b>Weight / Ea.</b>	1.47 lbs

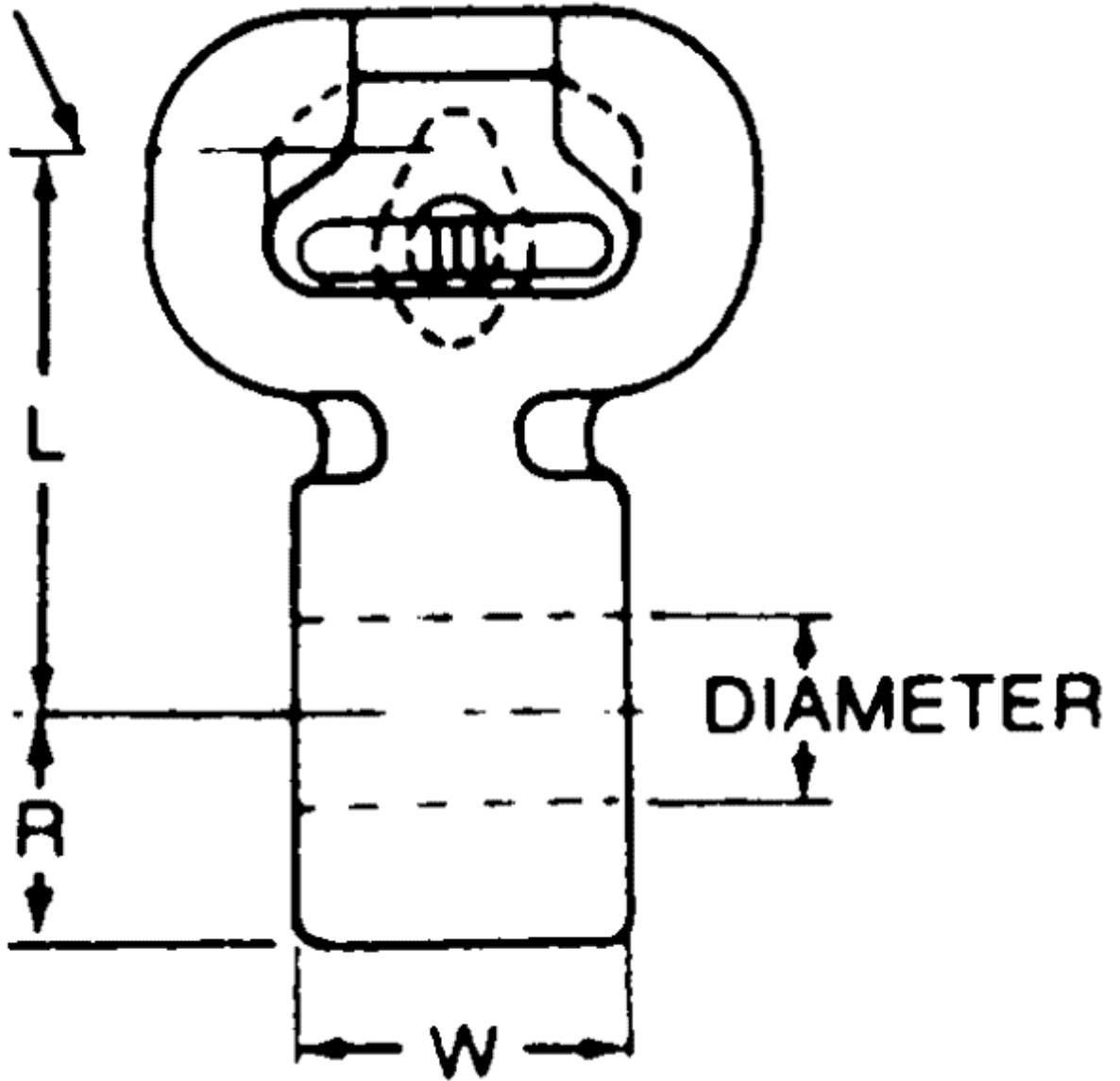
### Notes

For use with ANSI class 52-3 & 52-5 insulators.

### Compressed Product Number

SA11

Ø BALL



[Catalog Home](#)



[Warranty Info](#) | [Trademarks](#) | [Terms of Use](#)

*All contents Copyright © 2007 Hubbell Power Systems, Inc. All rights reserved.*

NOTE: Because Hubbell has a policy of continuous product improvement, we reserve the right to change design and specifications without notice.