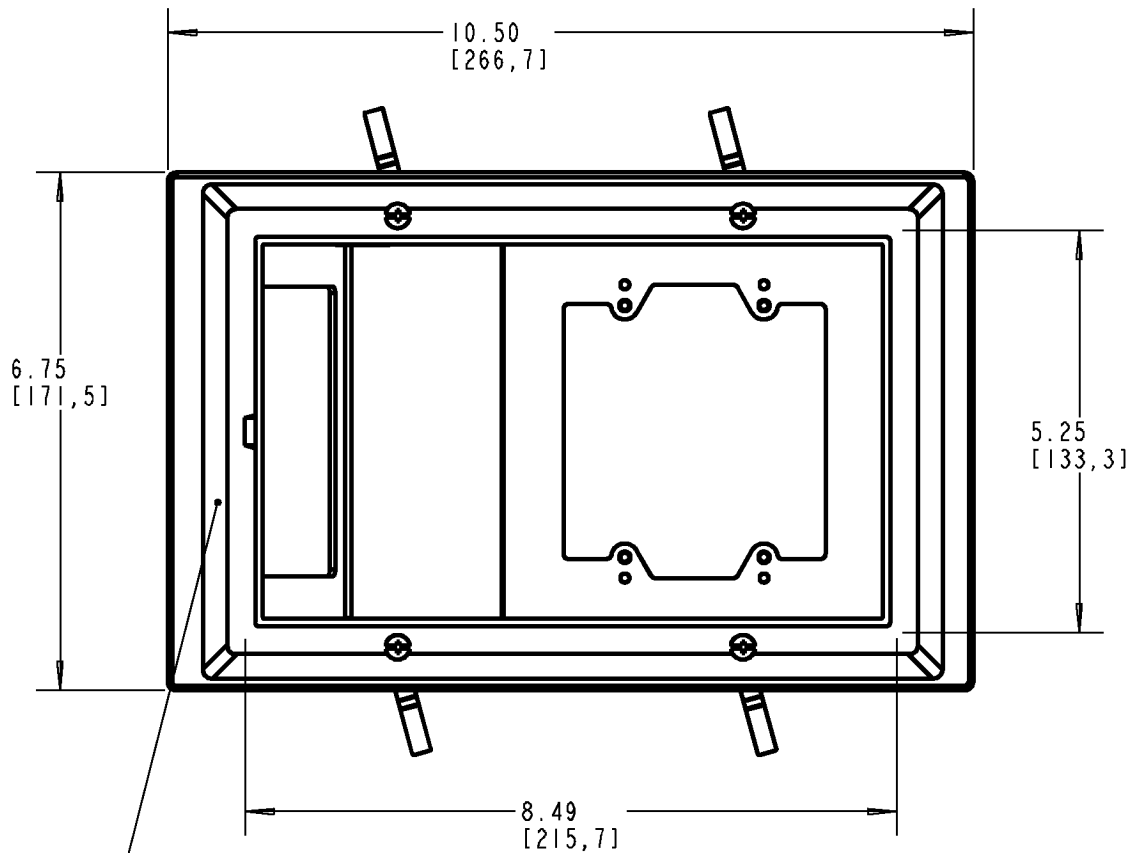
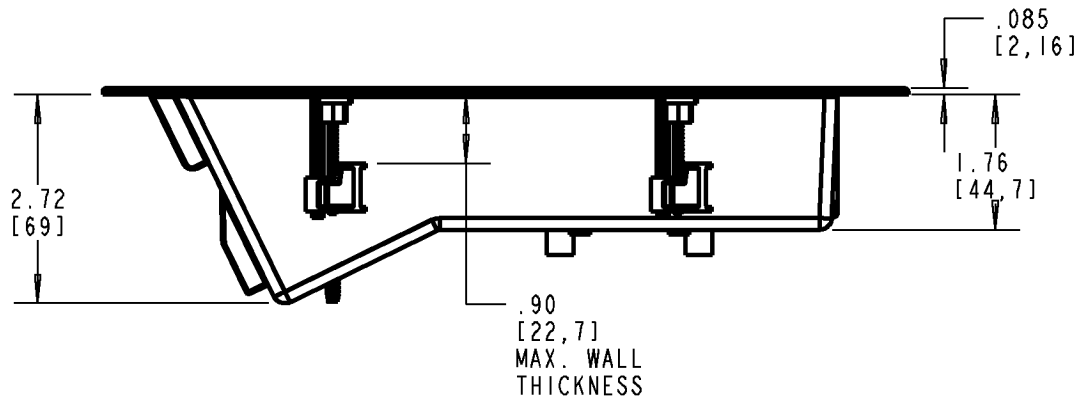


Carlton



INSTALL OLD WORK BOX IN THIS AREA



NOTE:

1. FOR USE EITHER CARLTON OLD WORK BOXES B114R OR B120R.
2. FOR STUDS 16" ON CENTER LOCATE BOX CUTOUT 3" FROM STUD.
4. FOR STUDS 24" ON CENTER LOCATE BOX CUTOUT BETWEEN STUDS.

P/N
SC300PR

GENERAL NOTES

1. ALL DIMENSIONS ARE FOR REFERENCE ONLY.
2. DIMENSIONS IN BRACKETS [] ARE IN METRIC UNITS.

REVISIONS

SEE ERN (****)
FOR APPROVAL SIGNATURES
& RELEASE DATE.
PROJECT NO: ****

Thomas & Betts
www.tnb.com

DESCRIPTION: **DUAL VOLTAGE BOX ASSEMBLY**

ORIGINAL PROJECT NO / (ERN NO)

/ ()

SHEET NO:

1 OF 2

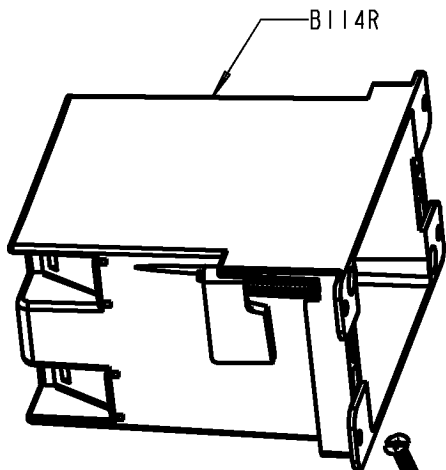
REV. NO:

A

DRAWING NO:

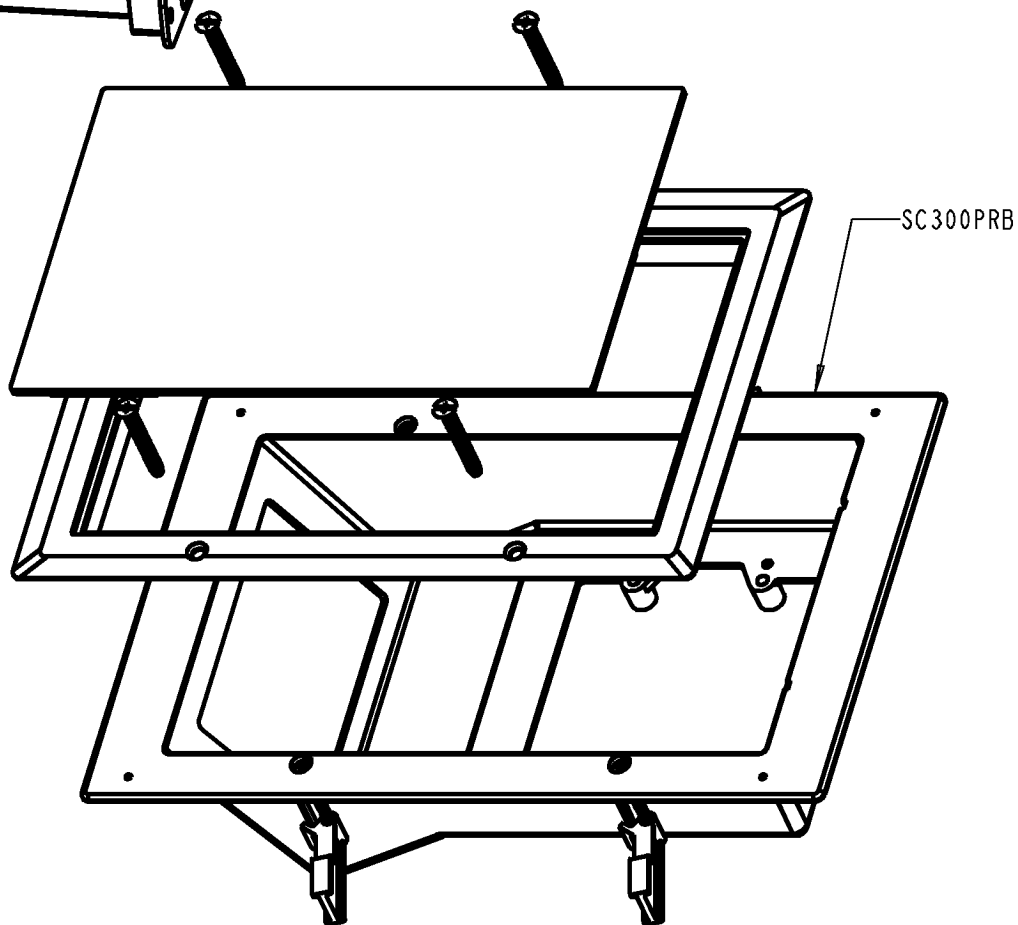
WSD-AC05024

Carlton®



B114R

INSTRUCTIONS



SC300PRB

NOTE:

1. DUAL VOLTAGE BOX SC300PR COMES WITH OLD WORK BOX B114R. IF LARGER BOX IS NEEDED USE CARLON'S OLD WORK BOX B120R.

P/N
SC300PRB
SC300PRR

Thomas & Betts
www.tnb.com

DESCRIPTION: **DUAL VOLTAGE BOX ASSEMBLY**

SHEET NO:

2 OF 2

REV. NO:

A

DRAWING NO:

WSD-AC05024