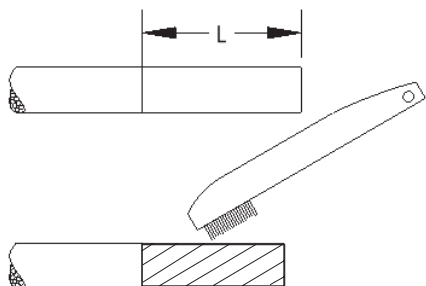




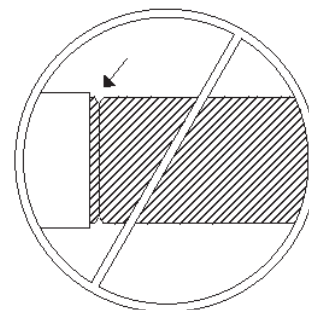
284-PC

1

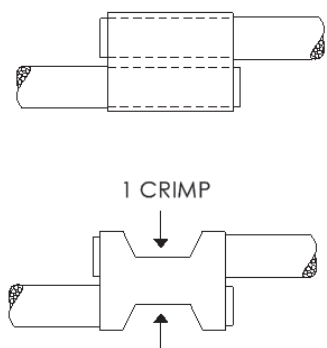


CU ONLY

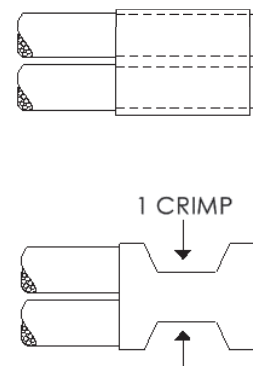
NO AL



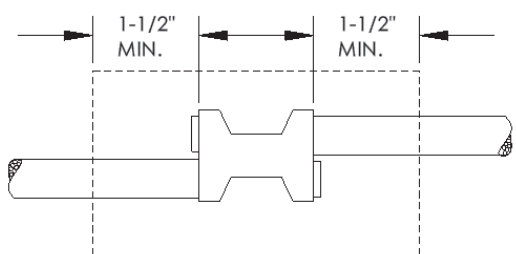
2



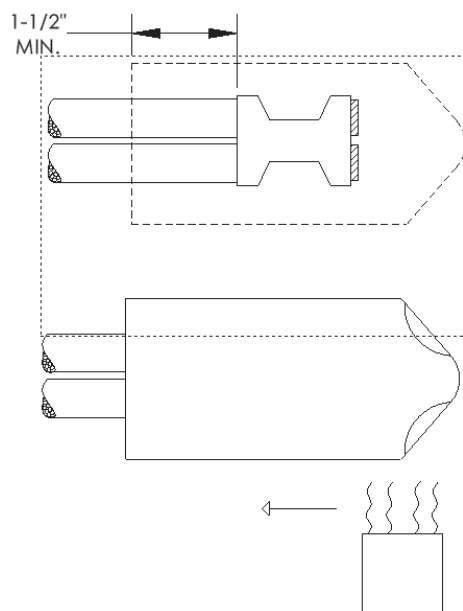
(OR)



### HEAT SHRINK INSTALLATION INSTRUCTIONS



(OR)



### Tool Chart for Compression Connector Type PSC with Compact & Code Class B Copper Cable, Class 5f Copper Metric Wire

Splice Color	Panduit Part Number	L Wire Strip Length (In.)	AWG/Metric Str Cu Wire Range	Panduit Tool Part Number			Recommended Heat Shrink End Cap	Recommended Thick Wall Heat Shrink		
				CT-980 CT-980CH CT-2980	CT-2001 CT-2002 CT-2002CH CT-3001	CT-920, CT-930, CT-2940*, CT-920CH, CT-930CH, CT-940CH*, CT-2920, CT-2930, CT-2931				
Red	PSCRED-L	7/16	#12-#10	---	CD-2001-8-SET Red P21 (1)	CD-920-8 Red P21 (1)	HSECFR0.5-X	HST0.4-6-3		
		3/4	Metric Class 5f (1) 2.5mm <sup>2</sup> w/ (1) 6 mm <sup>2</sup>							
Blue	PSCBLU-L	7/16	#12-#6	---	CD-2001-6-SET Blue P24 (1)	CD-920-6 Blue P24 (1)				
		3/4	Metric Class 5f (1) 2.5 mm <sup>2</sup> w/ (1) 10 mm <sup>2</sup> (1) 6 mm <sup>2</sup> w/ (1) 10 mm <sup>2</sup>							
Gray	PSCGRY-L	7/16	#12-#4	(1)	CD-2001-4-SET Gray P29 (1)	CD-920-4 Gray P29 (1)				
		3/4	Metric Class 5f (1) 6 mm <sup>2</sup> w/ (1) 16 mm <sup>2</sup> (1) 10 mm <sup>2</sup> w/ (1) 16 mm <sup>2</sup>	---						
Brown	PSCBRN-L	11/16	#12-#2	(1)	CD-2001-2-SET Brown P33 (1)	CD-920-2 Brown P33 (1)			HSECFR0.8-X	HST0.8-6-3
Green	PSCGRN-L	11/16	#12-#1	(1)	CD-2001-1-SET Green P37 (1)	CD-920-1 Green P37 (1)				
Pink	PSCPNK-L	11/16	#12-1/0	(1)	CD-2001-1/0-SET Pink P42 (1)	CD-920-1/0 Pink P42 (1)				
Black	PSCBLK-Q	7/8	#12-2/0	(1)	CD-2001-2/0-SET Black P45 (1)	CD-920-2/0 Black P45 (1)				
Orange	PSCORG-Q	7/8	#12-3/0	(1)	CD-2001-3/0-SET Orange P50 (1)	CD-920-3/0 Orange P50 (1)	HSECFR1.0-X	HST1.1-6-3		
Purple	PSCPUR-Q	1	#12-3/0	(1)	CD-2001-4/0-SET Purple P54 (1)	CD-920-4/0 Purple P54 (1)				
Yellow	PSCYEL-Q	1-1/16	#12-3/0	(1)	CD-2001-250-SET Yellow P62 (1)	CD-920-250 Yellow P62 (1)				

\*CD-920 dies can be used with CT-940CH tool and CT-2940 tool with CD-940-DA adapter.  
Compact stranding is #8 AWG to 3/0 AWG only.



For Technical Support: [techsupport@panduit.com](mailto:techsupport@panduit.com)

Color Coded Chart

		#14			#12			#10			#8			#6			#4			#2			#1			1/0			2/0			3/0					
		1	2	3	1	2	3	1	2	3	1	2	3	1	2	3	1	2	3	1	2	3	1	2	3	1	2	3	1	2	3	1	2	3	1	2	3
#14	1	-																																			
	2																																				
	3																																				
#12	1																																				
	2																																				
	3																																				
#10	1																																				
	2																																				
	3																																				
#8	1																																				
	2																																				
	3																																				
#6	1																																				
	2																																				
	3																																				
#4	1																																				
	2																																				
	3																																				
#2	1																																				
	2																																				
	3																																				
#1	1																																				
	2																																				
	3																																				
1/0	1																																				
	2																																				
	3																																				
2/0	1																																				
	2																																				
	3																																				
3/0	1																																				
	2																																				
	3																																				

The colored boxes indicate a UL Listed wire combination for that color PSC splice.  
 The numbers 1, 2, & 3 next to each wire size on the left & top edges indicates wire quantities for that wire size.  
 Match the top wire size/quantities with the side wire size/quantities to determine the correct part to use for a wire combination.

<p><b>For Instructions in Local Languages and Technical Support:</b>                  techsupport@panduit.com</p>	 www.panduit.com	<p><b>E-mail:</b>                  cs@panduit.com  <b>Phone:</b>                  800-777-3300</p>
---	--	--