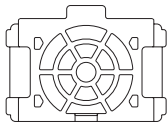


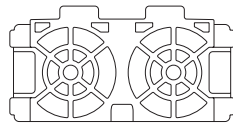


## PowerFlex 4/40/400/40P Fan Replacement – Frames A-C

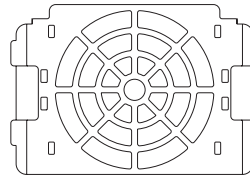
# Installation Instructions Installationsanleitung Installation Installazione Instalación Instrucții Instalação



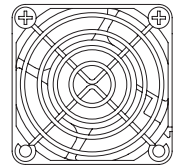
SK-U1-FAN1-A1  
SK-U1-FAN1-B1



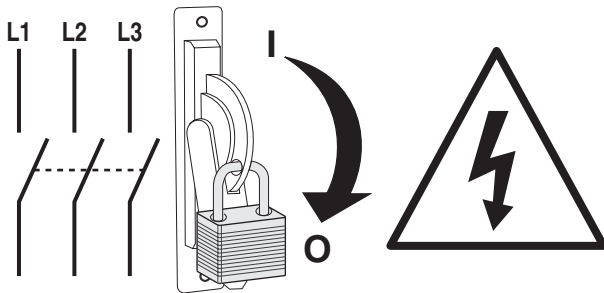
SK-U1-FAN2-B1



SK-U1-FAN1-C1  
SK-U1-FAN1-C2



SK-U1-FAN1-B4



Wait three minutes for capacitors to discharge to safe voltage levels.

Drei Minuten warten, bis die Kondensatoren sich auf eine sichere Spannung entladen haben.

Attendre trois minutes pour s'assurer que les condensateurs se sont déchargés jusqu'à des niveaux de tension sans danger.

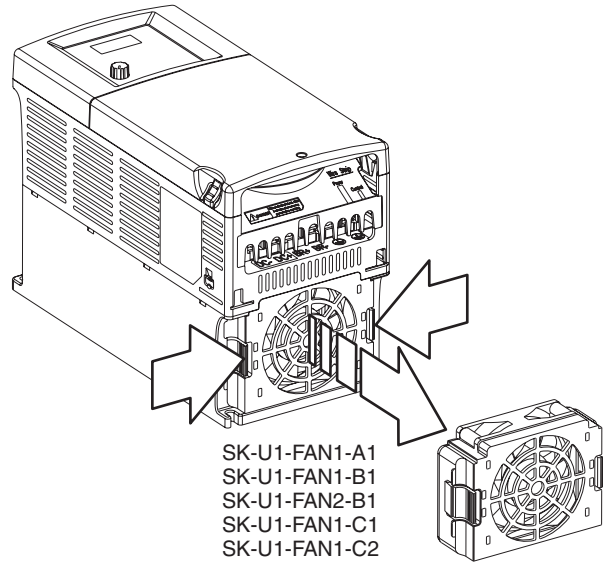
Attendere tre minuti affinché i condensatori si scarichino fino a raggiungere un livello di tensione sicuro.

Espere tres minutos a que los condensadores se descarquen a niveles seguros de tensión; de lo contrario puede sufrir lesiones o incluso la muerte.

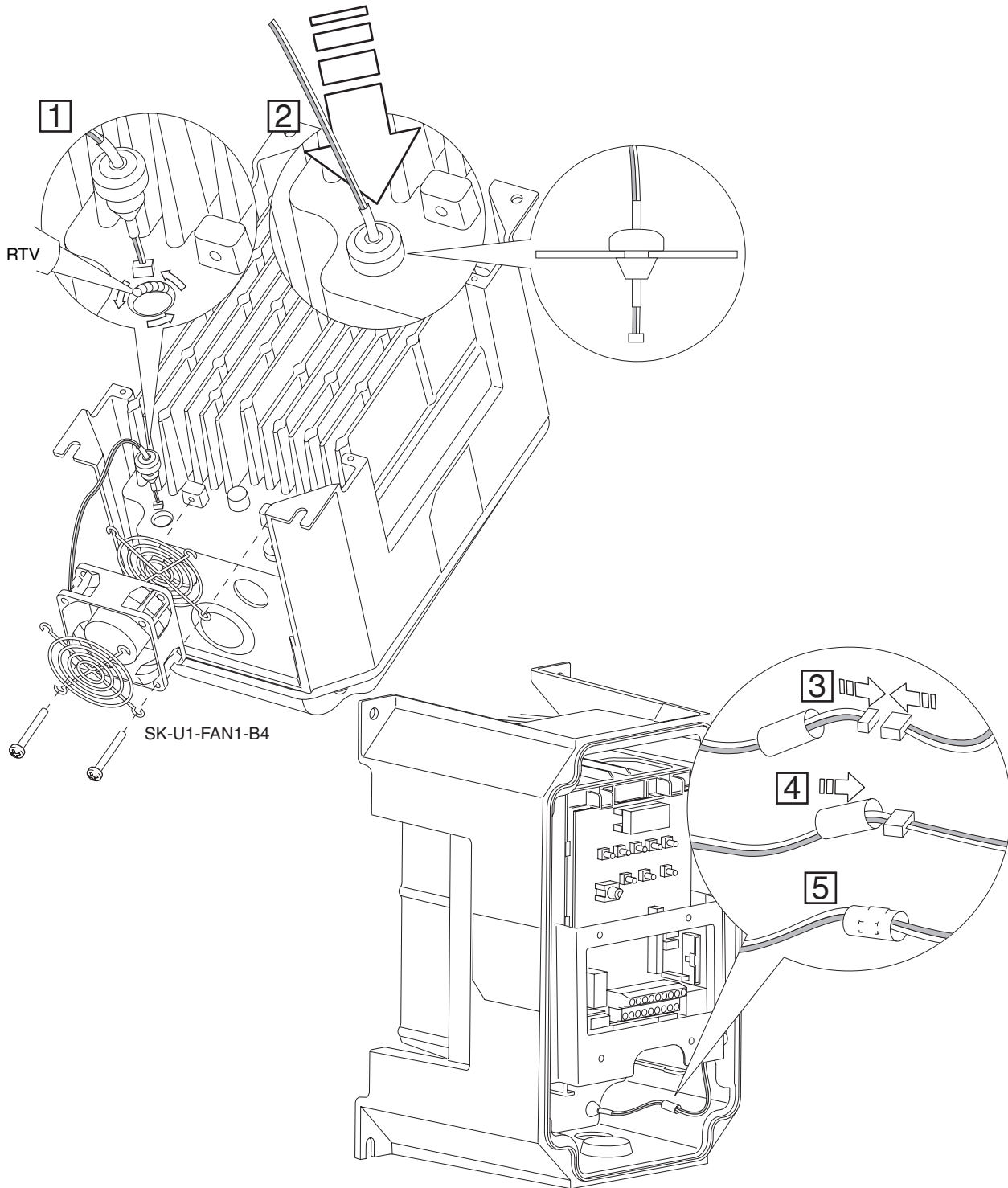
Wacht drie minuten zodat de condensators zich kunnen ontladen tot een veilig niveau.

Espere três minutos para que os capacitores descarreguem a níveis seguros de tensão.

IP20, NEMA/UL Type Open  
IP30, NEMA/UL Type 1



IP66, NEMA/UL Type 4X



[www.rockwellautomation.com](http://www.rockwellautomation.com)



**Power, Control and Information Solutions Headquarters**

Americas: Rockwell Automation, 1201 South Second Street, Milwaukee, WI 53204-2496 USA, Tel: (1) 414.382.2000, Fax: (1) 414.382.4444

Europe/Middle East/Africa: Rockwell Automation, Vorstlaan/Boulevard du Souverain 36, 1170 Brussels, Belgium, Tel: (32) 2 663 0600, Fax: (32) 2 663 0640

Asia Pacific: Rockwell Automation, Level 14, Core F, Cyberport 3, 100 Cyberport Road, Hong Kong, Tel: (852) 2887 4788, Fax: (852) 2508 1846

Publication 22-IN007C-MU-P – February 2007

Copyright © 2007 Rockwell Automation, Inc. All rights reserved.