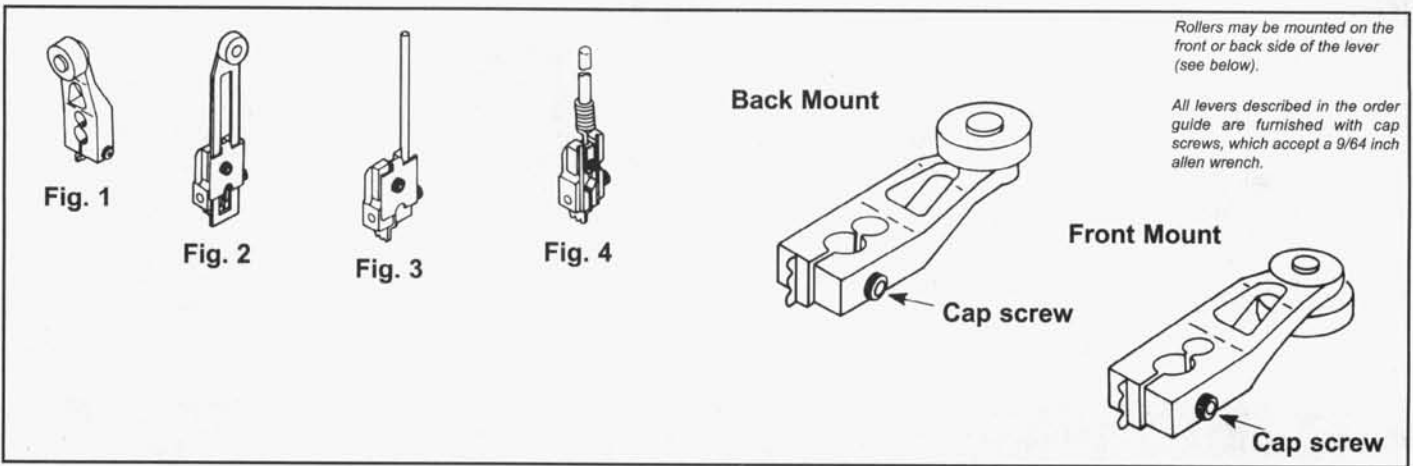


**HDLS Heavy Duty Switches (Con't.)**



**Lever for Rotary Actuated Switches**

Description	Roller Mounted On This Side Of Lever	Part Number	Figure Number
LSZ51* Standard Roller Lever (1.5" radius)			
Nylon Roller	Front	LSZ51A	1
Steel Roller	Front	LSZ51B	1
Steel Roller	Back	LSZ51D	1
LSZ52* Adjustable Radius Roller Lever (1.5" to 3.5" radius)			
Nylon Roller	Back	LSZ52A	2
Steel Roller	Back	LSZ52B	2
Nylon Roller	Front	LSZ52C	2
Steel Roller	Front	LSZ52D	2
LSZ54 Rod Lever			
Stainless Steel (13.0" radius)	----	LSZ54N	3
LSZ68 Spring/Rod Lever			
Delrin (12.0" radius)	----	LSZ68	4

**Replacement Parts**

Part No. on Switch Nameplate	Operating Head Only	Complete Plug-in Unit Less Base Receptacle
LSA1A	LSZ1A	LSZ7A1A
LSA2B	LSZ1A	LSZ7A2B
LSA6B	LSZ1A	LSZ7A6B
LSD1A	LSZ1D	LSZ7D1A



*You do not lead by hitting  
people over the head - that's  
assault, not leadership.*

— Dwight Eisenhower