



[Catalog Home](#)

Product Datasheet

ANDERSON FARGO

V333 -- Terminal, Bronze Bolted



Terminal, Bronze Bolted, Adapter, Transformer Terminal to Multiple 0.128-0.365 cables

Product Specifications

Family Image



Terminals

Terminals



V Series

Adapter, Transformer Terminal
to Multiple Cables
Bronze Eyebolt Terminals

PDF Catalog Page

[Click HERE to view the web page.](#)

Eyebolt Cable Connections

3

Clamping Hardware Material

Silicon Bronze

Minimum Conductor

0.128

Maximum Conductor

0.365

Material Type

Non-Standard

UPC Code

09635933385

Standard Package

1

Standard Package Unit

Each

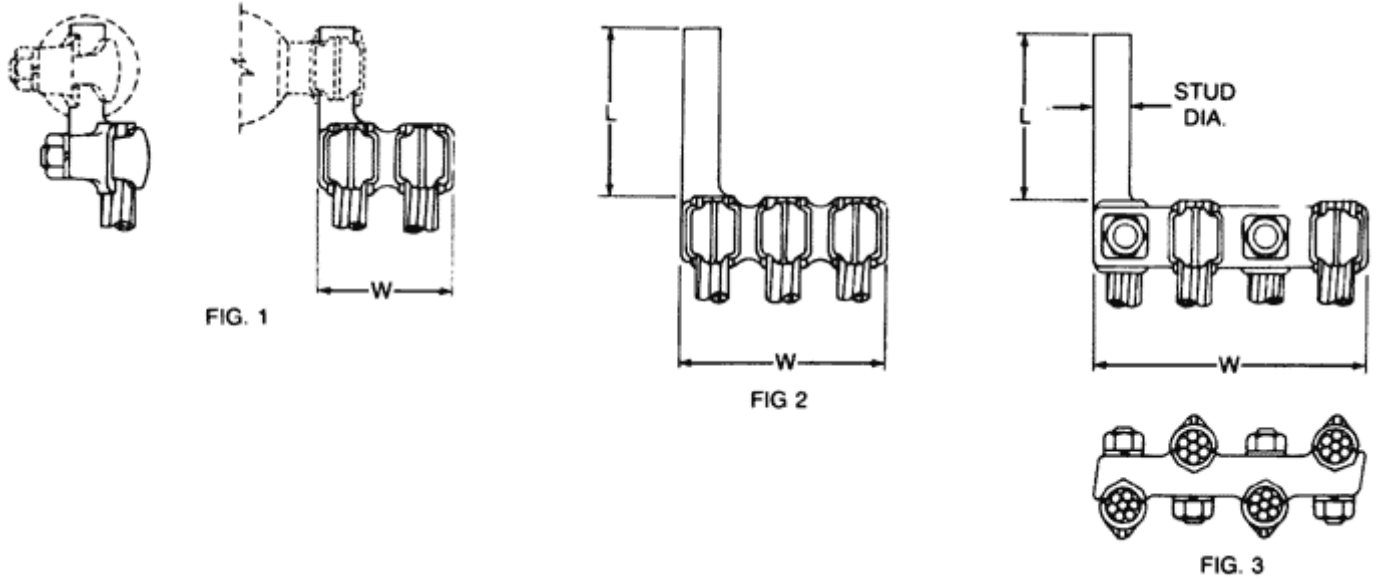
Min Order Qty

1

Weight / Ea.

0.588 lbs

Compressed Product Number



Catalog Home



[Warranty Info](#) | [Trademarks](#) | [Terms of Use](#)

All contents Copyright © 2007 Hubbell Power Systems, Inc. All rights reserved.

NOTE: Because Hubbell has a policy of continuous product improvement, we reserve the right to change design and specifications without notice.