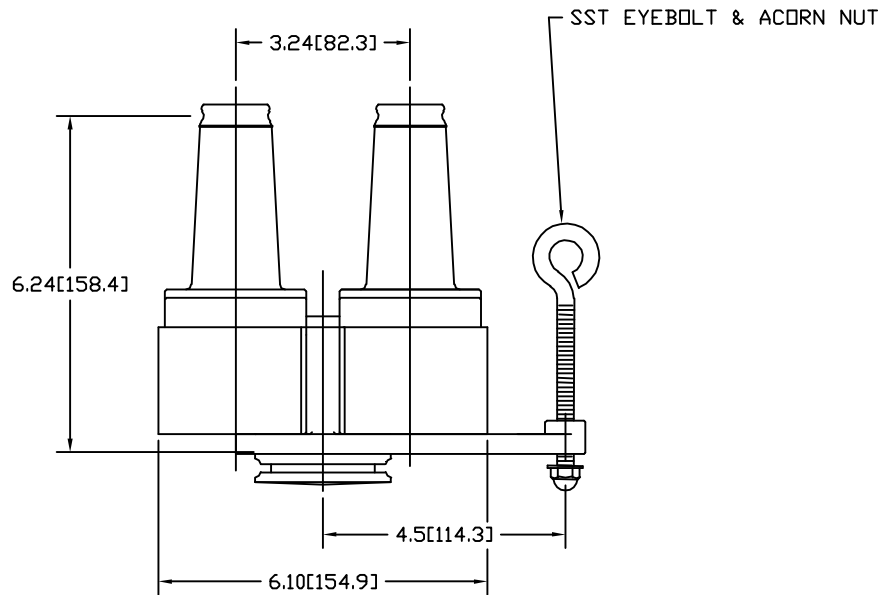
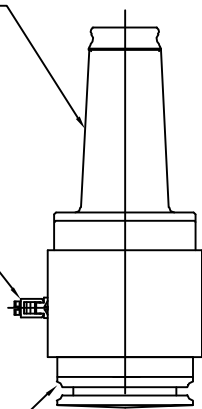



INTERFACE COMPLIES
WITH ANSI/IEEE 386
(1995) FIGURE 5

DRAIN WIRE LUG

MOUNTING BRACKET
TO PARKING STAND



DIM: IN[MM]

<small>CONFIDENTIAL: THIS DRAWING AND ITS CONTENTS ARE CONFIDENTIAL AND THE EXCLUSIVE PROPERTY OF HUBBELL POWER SYSTEMS. NO PUBLICATION, DISTRIBUTION OR COPIES MAY BE MADE WITHOUT THE WRITTEN CONSENT OF HUBBELL POWER SYSTEMS. HUBBELL POWER SYSTEMS UNPUBLISHED ALL RIGHTS RESERVED UNDER THE COPYRIGHT LAWS.</small>		 HUBBELL POWER SYSTEMS		
		TITLE FEED THRU 15 KV		
<small>REV DATE</small> 11/07/06	<small>SIZE</small> SB	<small>DWG NO.</small> --	<small>CAT / PART / ASSY NO.</small> 215FTV	<small>REV</small> 0
<small>DO NOT SCALE THIS DRAWING</small>		<small>DRN BY</small> JVR	<small>DATE</small> 11/07/06	<small>SHEET 1 OF 1</small>