

# BMXDDI1602

discrete input module M340 - 16 inputs - 24 V DC positive

Product availability : Stock - Normally stocked in distribution facility



Price\* : 282.00 USD



## Main

|                           |  |
|---------------------------|--|
| Range of product          | Modicon M340 automation platform                                 |
| Product or component type | Discrete input module  |
| Electrical connection     | 20-way connector   |
| Discrete input number     | 16   |
| Discrete input type       | Isolated   |
| Input type                | Current sink (logic positive)                                    |
| Discrete input voltage    | 24 V DC positive   |
| Discrete input current    | 3.5 mA   |
| Input compatibility       | With 2-wire/3-wire proximity sensors conforming to IEC 60947-5-2 |

## Complementary

|                             |   |
|-----------------------------|---|
| Sensor power supply         | 19...30 V   |
| Voltage state 1 guaranteed  | $\geq 11$ V   |
| Current state 1 guaranteed  | $\geq 2$ mA   |
| Voltage state 0 guaranteed  | $\leq 5$ V  |
| Current state 0 guaranteed  | $\leq 1.5$ mA   |
| Input impedance             | 6800 Ohm  |
| Insulation resistance       | $> 10$ MOhm 500 V DC  |
| Power dissipation in W      | $\leq 2.5$ W  |
| DC typical filtering time   | 4 ms  |
| DC maximum filtering time   | 7 ms  |
| Paralleling of inputs       | Yes   |
| Typical current consumption | 90 mA at 3.3 V DC   |
| MTBF reliability            | 798237 H  |
| Protection type             | Reverse polarity protection<br>1 external fuse per group of channel 0.5 A fast blow |

|                             |  |
|-----------------------------|--|
| Voltage detection threshold | < 14 V DC sensor fault<br>> 18 V DC sensor OK  |
| Status LED                  | 1 LED green module operating (RUN)<br>1 LED per channel green channel diagnostic<br>1 LED red module I/O<br>1 LED red module error (ERR) |
| Product weight              | 0.25 lb(US) (0.115 kg)   |

## Environment

|                                       |   |
|---------------------------------------|---|
| IP degree of protection               | IP20  |
| Standards                             | NF C 63-850<br>CSA C22.2 No 142<br>IEC 664<br>UL 508<br>IEC 1131-2<br>UL 746C |
| Dielectric strength                   | 1500 V AC at 50/60 Hz 1 minute, primary/secondary                             |
| Ambient air temperature for operation | 32...140 °F (0...60 °C)   |
| Relative humidity                     | 10...95 % without condensation  |
| Protective treatment                  | TC  |

## Ordering and shipping details

|                       |                      |
|-----------------------|----------------------|
| Category              | 18160 - MODICON M340 |
| Discount Schedule     | PC34                 |
| GTIN                  | 00785901786924       |
| Nbr. of units in pkg. | 1                    |
| Package weight(Lbs)   | 0.34000000000000002  |
| Returnability         | Y                    |
| Country of origin     | ID                   |

## Offer Sustainability

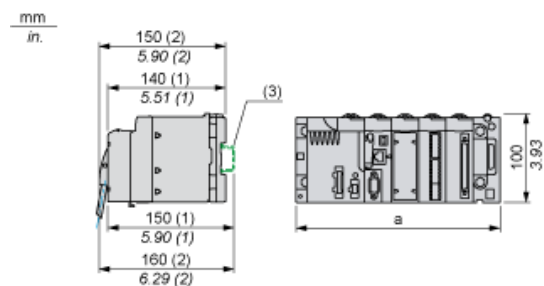
|                                  |   |
|----------------------------------|---|
| Sustainable offer status         | Green Premium product   |
| RoHS (date code: YYWW)           | Compliant - since 0722 - Schneider Electric declaration of conformity<br><a href="#">Schneider Electric declaration of conformity</a> |
| REACH                            | Reference not containing SVHC above the threshold<br><a href="#">Reference not containing SVHC above the threshold</a>                |
| Product environmental profile    | Available   |
| Product end of life instructions | Available   |

## Contractual warranty

|                 |           |
|-----------------|-----------|
| Warranty period | 18 months |
|-----------------|-----------|

Modules Mounted on Racks

Dimensions

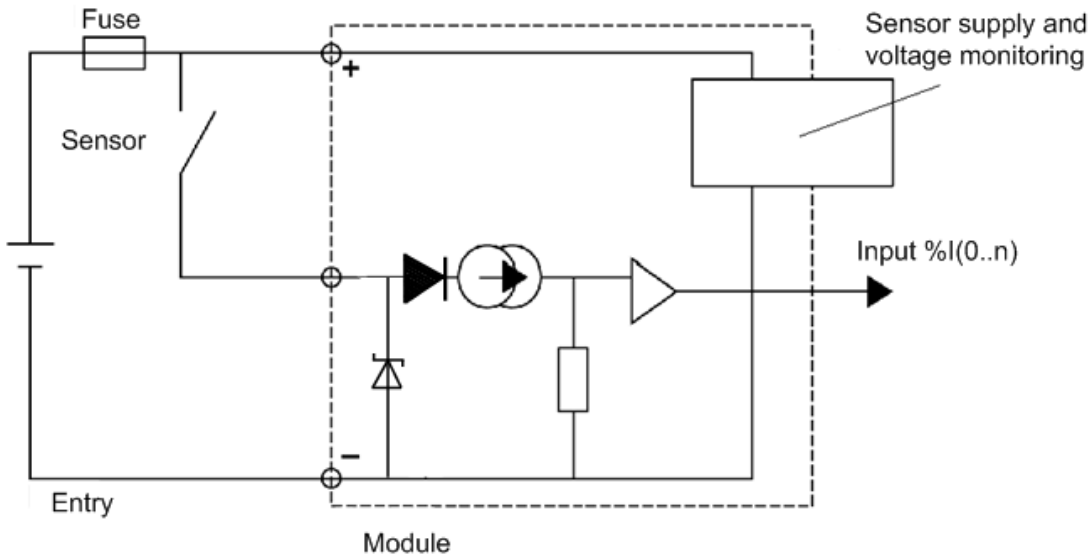


- (1) With removable terminal block (cage, screw or spring).
- (2) With FCN connector.
- (3) On AM1 ED rail: 35 mm wide, 15 mm deep. Only possible with BMXXBP0400/0400H/0600/0600H/0800/0800H rack.

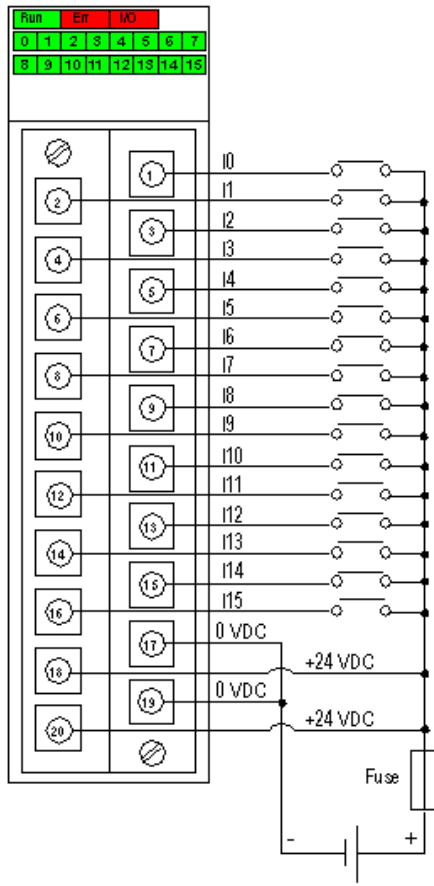
| Rack references            | a in mm | a in in. |
|----------------------------|---------|----------|
| BMXXBP0400 and BMXXBP0400H | 242.4   | 09.54    |
| BMXXBP0600 and BMXXBP0600H | 307.6   | 12.11    |
| BMXXBP0800 and BMXXBP0800H | 372.8   | 14.68    |
| BMXXBP1200 and BMXXBP1200H | 503.2   | 19.81    |

Connecting the Module

Input Circuit Diagram



## Module Connection



power supply  
fuse fast blow fuse of 0.5 A