

BMXDDO1602

discrete output module M340 - 16 outputs - solid state - 24 V DC positive

Product availability : Stock - Normally stocked in distribution facility



Price* : 341.00 USD



Main

Range of product	Modicon M340 automation platform
Product or component type	Discrete output module
Electrical connection	20-way connector
Discrete output number	16 conforming to EN/IEC 61131-2
Discrete output type	Solid state
Discrete output logic	Positive
Discrete output voltage	24 V 19...30 V DC
Discrete output current	0.5 A
Output compatibility	IEC 61131-2 type 3 DC input Not IEC 61131-2 DC input

Complementary

Current per channel	≤ 0.625 A
Current per module	≤ 10 A
Leakage current	≤ 0.5 mA at state 0
[Ures] residual voltage	≤ 1.2 V at state 1
Insulation resistance	> 10 MOhm 500 V DC
Power dissipation in W	≤ 4 W
Response time on output	1.2 ms
Paralleling of outputs	Yes : 2 maximum
Typical current consumption	100 mA at 3.3 V DC
MTBF reliability	409413 H
Protection type	External short-circuit protection Overload protection Overvoltage protection Reverse polarity protection
Output overload protection	With current limiter

	With electronic circuit breaker 1.5 In < Id < 2 In
Output overvoltage protection	With transil diode
Output short-circuit protection	With 2 A external fuse
Reverse polarity protection	Reverse mounted diode
Voltage detection threshold	< 14 V DC preactuator fault > 18 V DC preactuator at state 0
Tungsten load	<= 6 W
Switching frequency	0.5/LI ² Hz
Load impedance ohmic	<= 48 Ohm
Status LED	1 LED green module operating (RUN) 1 LED per channel green channel diagnostic 1 LED red module I/O 1 LED red module error (ERR)
Product weight	0.26 lb(US) (0.12 kg)

Environment

IP degree of protection	IP20
Standards	NF C 63-850 UL 746C IEC 664 UL 508 CSA C22.2 No 142 IEC 1131-2
Dielectric strength	1500 V AC at 50/60 Hz 1 minute, output/ground 1500 V AC at 50/60 Hz 1 minute, output/internal logic
Ambient air temperature for operation	32...140 °F (0...60 °C)
Relative humidity	10...95 % without condensation
Protective treatment	TC

Ordering and shipping details

Category	18160 - MODICON M340
Discount Schedule	PC34
GTIN	00785901608042
Nbr. of units in pkg.	1
Package weight(Lbs)	0.35000000000000003
Returnability	Y
Country of origin	ID

Offer Sustainability

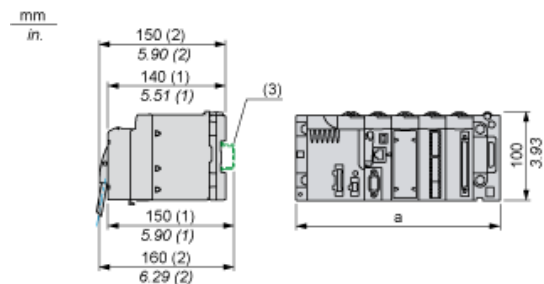
Sustainable offer status	Green Premium product
RoHS (date code: YYWW)	Compliant - since 0722 - Schneider Electric declaration of conformity Schneider Electric declaration of conformity
REACH	Reference not containing SVHC above the threshold Reference not containing SVHC above the threshold
Product environmental profile	Available
Product end of life instructions	Available

Contractual warranty

Warranty period	18 months
-----------------	-----------

Modules Mounted on Racks

Dimensions

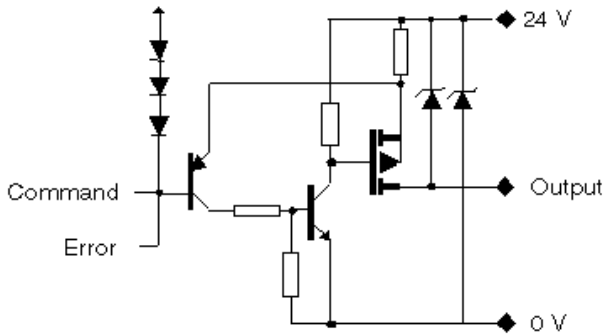


- (1) With removable terminal block (cage, screw or spring).
- (2) With FCN connector.
- (3) On AM1 ED rail: 35 mm wide, 15 mm deep. Only possible with BMXXBP0400/0400H/0600/0600H/0800/0800H rack.

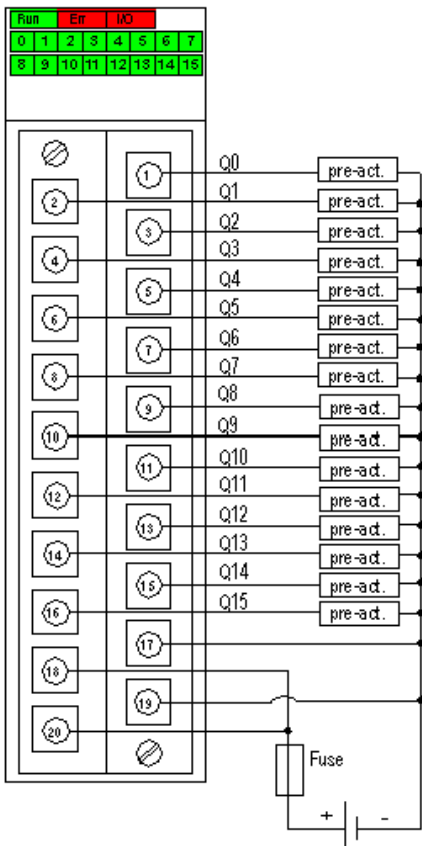
Rack references	a in mm	a in in.
BMXXBP0400 and BMXXBP0400H	242.4	09.54
BMXXBP0600 and BMXXBP0600H	307.6	12.11
BMXXBP0800 and BMXXBP0800H	372.8	14.68
BMXXBP1200 and BMXXBP1200H	503.2	19.81

Connecting the Module

Output Circuit Diagram



Module Connection



power 24V DC
fuse fast blow fuse of 6.3 A
pre-actuator