

Product availability : Stock - Normally stocked in distribution facility



Price* : 842.00 USD



Main

Range of product	Modicon M340 automation platform
Product or component type	Counter module
Number of channels	2
Counting frequency	≤ 60000 Hz
Number of inputs	6
Input compatibility	Incremental encoder with push-pull outputs 10...30 V totem pole 2-wire/3-wire proximity sensor 19.2...30 V
Input voltage	24 V DC type 3
Number of outputs	2
Output voltage	24 V DC

Complementary

Counter functions	Loop (modulo) counting Width modulation Measure time periods Count events 32-bit counter counting Down counting Ratio count Frequency meter
Cycle time	1 ms
Isolation voltage	1500 V 60 s
Input type	3 high speed 3 auxiliary input
Input voltage limits	30 V
Input current	> 2 mA at 11 V
Voltage state 1 guaranteed	11...30 V
Current state 1 guaranteed	≥ 6 mA
Voltage state 0 guaranteed	< 5 V
Current state 0 guaranteed	≤ 1.5 mA

Discrete output logic	Positive or negative configurable
Output current limits	<= 0.5 A per output <= 2 A per module
Output voltage limits	19.2...30 V
Maximum load current	0.5 A per output 1 A per module
Leakage current	<= 0.1 mA at state 0
Voltage drop	< 3 V at state 1
Output overload protection	Integrated
Output short-circuit protection	1.5 A integrated
Overlap time	0.2 ms
Electrical connection	1 connector 10 pins for wiring auxiliary input and sensor power supply 1 connector 16 pins for wiring the sensors of counter 0 1 connector 16 pins for wiring the sensors of counter 1
Current consumption	200 mA 3.3 V DC bus 40 mA 24 V DC rack 80 mA 24 V DC sensor
Module format	Standard
Product weight	0.25 lb(US) (0.112 kg)

Environment

Ambient air temperature for operation	32...140 °F (0...60 °C)
Relative humidity	10...95 % without condensation
IP degree of protection	IP20
Protective treatment	TC

Ordering and shipping details

Category	18160 - MODICON M340
Discount Schedule	PC34
GTIN	00785901681694
Nbr. of units in pkg.	1
Package weight(Lbs)	0.32000000000000001
Returnability	Y
Country of origin	FR

Offer Sustainability

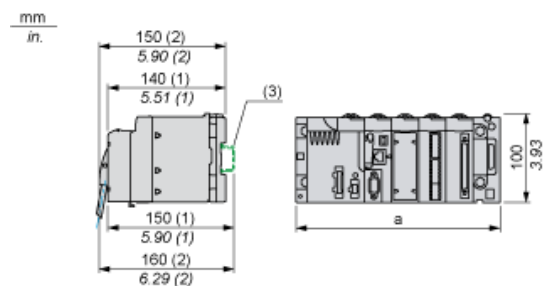
Sustainable offer status	Green Premium product
RoHS (date code: YYWW)	Compliant - since 0722 - Schneider Electric declaration of conformity Schneider Electric declaration of conformity
REACH	Reference not containing SVHC above the threshold Reference not containing SVHC above the threshold
Product environmental profile	Available
Product end of life instructions	Available

Contractual warranty

Warranty period	18 months
-----------------	-----------

Modules Mounted on Racks

Dimensions



- (1) With removable terminal block (cage, screw or spring).
- (2) With FCN connector.
- (3) On AM1 ED rail: 35 mm wide, 15 mm deep. Only possible with BMXXBP0400/0400H/0600/0600H/0800/0800H rack.

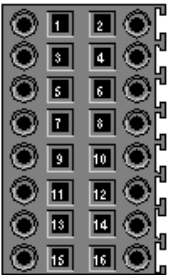
Rack references	a in mm	a in in.
BMXXBP0400 and BMXXBP0400H	242.4	09.54
BMXXBP0600 and BMXXBP0600H	307.6	12.11
BMXXBP0800 and BMXXBP0800H	372.8	14.68
BMXXBP1200 and BMXXBP1200H	503.2	19.81

Counting Module Wiring

Note

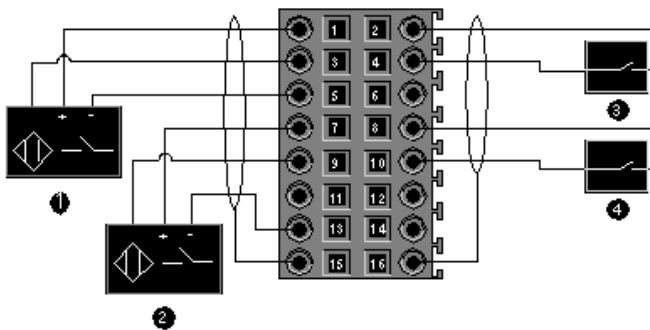
The two 16-pin connectors and the 10-pin connector are sold separately and are available in the BMXXTSHSC20 connection kit.

Assignment of the 16-Pin Connector



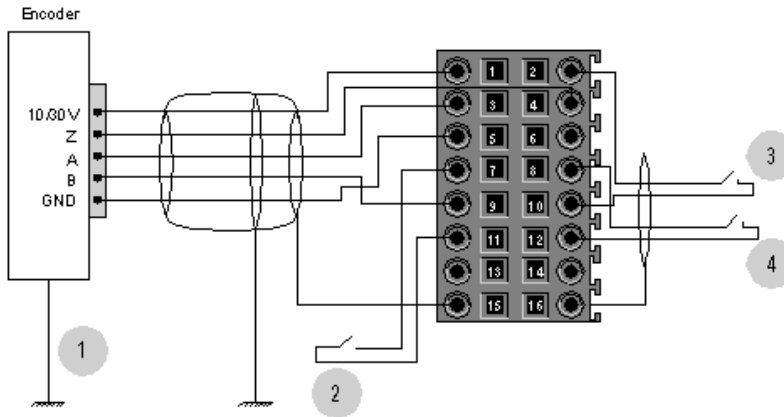
Pin number	Symbol	Description
1, 2, 7, 8	24V_SEN	24 VDC output for sensors supply
5, 6, 13, 14	GND_SEN	24 VDC output for sensors supply
15, 16	FE	Functional earth
3	IN_A	Input A
4	IN_SYNC	Synchronization input
9	IN_B	Input B
10	IN_EN	Enable input selected
11	IN_REF	Homing input
12	IN_CAP	Capture input

Sensors Connection Example



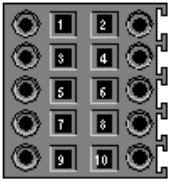
- 1 IN_A input
- 2 IN_B input
- 3 IN_SYNC input (synchronization input)
- 4 IN_EN input (enable input)

Encoder Connection Example for Axis Control



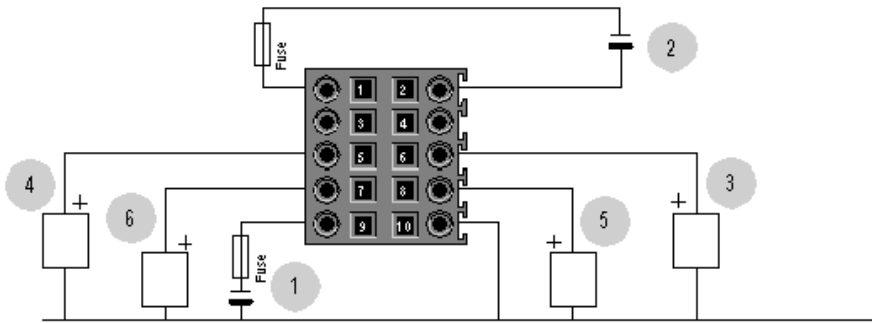
- 1 Encoder (inputs A, B and Z)
- 2 IN_REF input (homing input)
- 3 IN_EN input (enable input)
- 4 IN_CAP input (capture input)

Assignment of the 10-Pin Connector



Pin number	Symbol	Description
1	24V_IN	24 VDC input for sensors supply
2	GND_IN	Return 24 VDC input for sensors supply
5	Q0-1	Q1 output for counting channel 0
6	Q0-0	Q0 output for counting channel 0
7	Q1-1	Q1 output for counting channel 1
8	Q1-0	Q0 output for counting channel 1
9	24V_OUT	24 VDC input for actuators supply
10	GND_OUT	Return 24 VDC input for actuators supply

Connecting Outputs and Supplies



- 1 24 VDC supply for sensors
- 2 Return 24 VDC supply for sensors
- 3 Actuator for the Q0 output of counting channel 0
- 4 Actuator for the Q1 output of counting channel 0
- 5 Actuator for the Q0 output of counting channel 1
- 6 Actuator for the Q1 output of counting channel 1

The Q0 and Q1 outputs are limited by a maximum current of 0.5 A.

Recommended Circuit for high-Noise Environment Using BMXXSP•••• Electromagnetic Protection Kit

