

Product availability : Stock - Normally stocked in distribution facility



Price\* : 392.00 USD



### Main

Range of product	Modicon M340 automation platform
Product or component type	Power supply module
Product compatibility	Not compatible with BMEXBP..02
Primary voltage	24 V isolated
Supply circuit type	DC
Total useful secondary power	<= 16.8 W
Secondary power	16.8 W 24 V DC I/O module power supply and processor 8.3 W 3.3 V DC I/O module logic power supply

### Complementary

Primary voltage limit	18...31.2 V
Power supply input current	1 A 24 V
Inrush current	30 A 24 V
I <sup>2</sup> t on activation	<= 0.6 A <sup>2</sup> .s 24 V
It on activation	<= 0.15 A.s 24 V
Protection type	Internal fuse not accessible primary circuit Overload protection secondary circuit, 24 V sensor power supply Overvoltage protection secondary circuit, 24 V sensor power supply Short-circuit protection secondary circuit, 24 V sensor power supply
Current at secondary voltage	0.7 A 24 V DC I/O module power supply and processor 2.5 A 3.3 V DC I/O module logic power supply
Power dissipation in W	<= 8.5 W
Status LED	1 LED green rack voltage OK
Control type	RESET push-button cold restart
Electrical connection	1 connector 2 pin(s) alarm relay 1 connector 5 pin(s) line supply, protective earth, 24 V DC input sensor
Cable length	65.62 ft (20 m) power supply cable copper 0 in <sup>2</sup> (1.5 mm <sup>2</sup> ) 98.43 ft (30 m) power supply cable copper 0 in <sup>2</sup> (2.5 mm <sup>2</sup> )
Insulation resistance	>= 10 mOhm primary/secondary

>= 10 mOhm primary/ground

Product weight 0.64 lb(US) (0.29 kg)

## Environment

Immunity to microbreaks	<= 1 ms
Dielectric strength	1500 V primary/ground 1500 V primary/secondary
IP degree of protection	IP20
Standards	IACS E10
Ambient air temperature for storage	-40...185 °F (-40...85 °C)
Ambient air temperature for operation	32...140 °F (0...60 °C)
Relative humidity	10...95 % without condensation
Protective treatment	TC

## Ordering and shipping details

Category	18160 - MODICON M340
Discount Schedule	PC34
GTIN	00785901476993
Nbr. of units in pkg.	1
Package weight(Lbs)	0.9400000000000006
Returnability	Y
Country of origin	ID

## Offer Sustainability

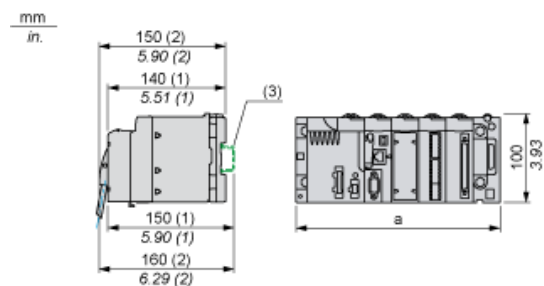
Sustainable offer status	Green Premium product
RoHS (date code: YYWW)	Compliant - since 0722 - Schneider Electric declaration of conformity <a href="#">Schneider Electric declaration of conformity</a>
REACH	Reference not containing SVHC above the threshold <a href="#">Reference not containing SVHC above the threshold</a>
Product environmental profile	Available
Product end of life instructions	Available

## Contractual warranty

Warranty period	18 months
-----------------	-----------

Modules Mounted on Racks

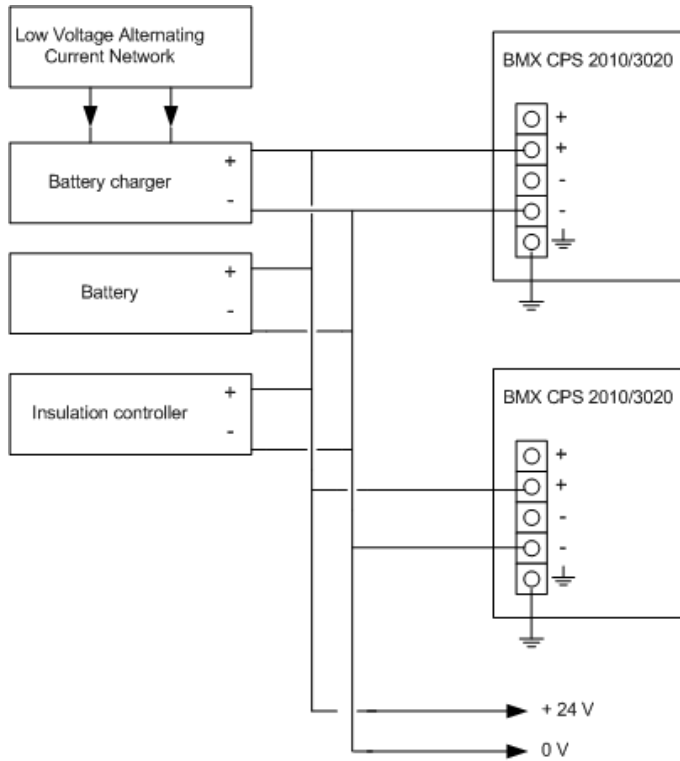
Dimensions



- (1) With removable terminal block (cage, screw or spring).
- (2) With FCN connector.
- (3) On AM1 ED rail: 35 mm wide, 15 mm deep. Only possible with BMXXBP0400/0400H/0600/0600H/0800/0800H rack.

Rack references	a in mm	a in in.
BMXXBP0400 and BMXXBP0400H	242.4	09.54
BMXXBP0600 and BMXXBP0600H	307.6	12.11
BMXXBP0800 and BMXXBP0800H	372.8	14.68
BMXXBP1200 and BMXXBP1200H	503.2	19.81

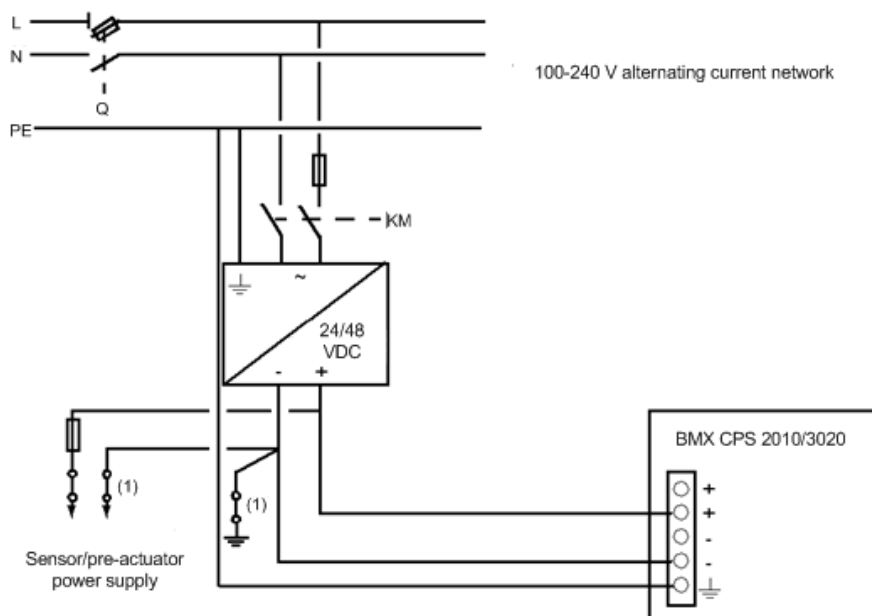
## Connection of Direct Current Power Supply Modules to a 24 Vdc or 48 Vdc Floating Direct Current Network



24 VDC floating network for the power supply of sensors, actuators and input/out modules.

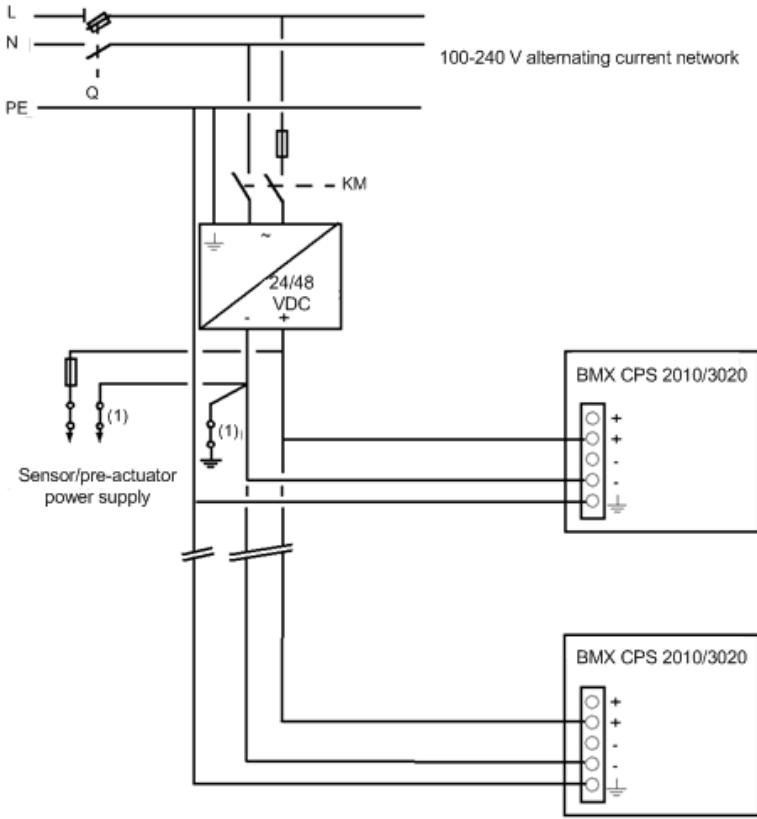
## Connection of Direct Current Power Supply Modules to an Alternating Current Network

### Connection of a Single Rack PLC Station



- Q General isolator
- KM Line contactor or circuit breaker
- (1) Insulation connector bar for locating grounding errors

### Connection of a Multi-Rack PLC Station



- Q General isolator
- KM Line contactor or circuit breaker
- (1) Insulation connector bar for locating grounding errors