

Product availability : Stock - Normally stocked in distribution facility



Price* : 846.00 USD



Main

Range of product	Modicon M340 automation platform
Product or component type	Discrete input module
Electrical connection	Two 40-way connectors
Discrete input number	64
Discrete input type	Isolated
Input type	Current sink (logic positive)
Discrete input voltage	24 V DC positive
Discrete input current	1 mA

Complementary

Sensor power supply	19...30 V
Voltage state 1 guaranteed	≥ 15 V
Current state 1 guaranteed	≥ 1 mA
Voltage state 0 guaranteed	≤ 5 V
Current state 0 guaranteed	≤ 0.5 mA
Input impedance	24000 Ohm
Insulation resistance	> 10 MOhm 500 V DC
Power dissipation in W	≤ 4.3 W
DC typical filtering time	4 ms
DC maximum filtering time	7 ms
Paralleling of inputs	No
Typical current consumption	200 mA at 3.3 V DC
MTBF reliability	362681 H
Protection type	Without reverse polarity protection 1 external fuse per group of channel 0.5 A fast blow
Voltage detection threshold	< 14 V DC sensor fault

> 18 V DC sensor OK

Status LED	1 LED green +32 channels indicator 1 LED green module operating (RUN) 1 LED per channel green channel diagnostic 1 LED red module I/O 1 LED red module error (ERR)
Product weight	0.32 lb(US) (0.145 kg)

Environment

IP degree of protection	IP20
Standards	IEC 1131-2 CSA C22.2 No 142 UL 508 IEC 664 NF C 63-850 UL 746C
Dielectric strength	1500 V AC at 50/60 Hz 1 minute, primary/secondary 500 V DC 1 minute, between group of channels
Ambient air temperature for operation	32...140 °F (0...60 °C)
Relative humidity	10...95 % without condensation
Protective treatment	TC

Ordering and shipping details

Category	18160 - MODICON M340
Discount Schedule	PC34
GTIN	00785901501589
Nbr. of units in pkg.	1
Package weight(Lbs)	0.4199999999999998
Returnability	Y
Country of origin	ID

Offer Sustainability

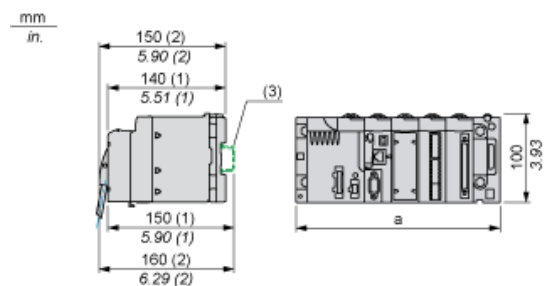
Sustainable offer status	Green Premium product
RoHS (date code: YYWW)	Compliant - since 0722 - Schneider Electric declaration of conformity Schneider Electric declaration of conformity
REACH	Reference not containing SVHC above the threshold Reference not containing SVHC above the threshold
Product environmental profile	Available
Product end of life instructions	Available

Contractual warranty

Warranty period	18 months
-----------------	-----------

Modules Mounted on Racks

Dimensions

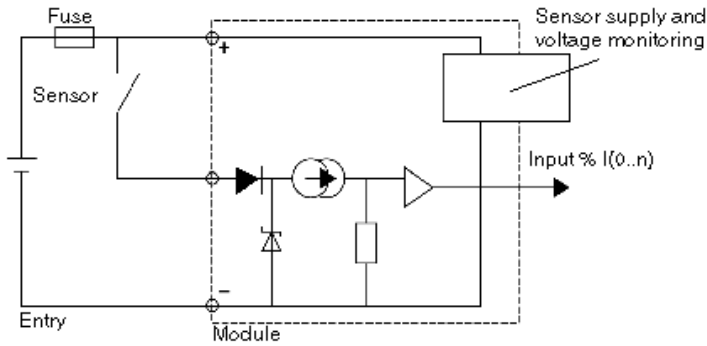


- (1) With removable terminal block (cage, screw or spring).
- (2) With FCN connector.
- (3) On AM1 ED rail: 35 mm wide, 15 mm deep. Only possible with BMXXBP0400/0400H/0600/0600H/0800/0800H rack.

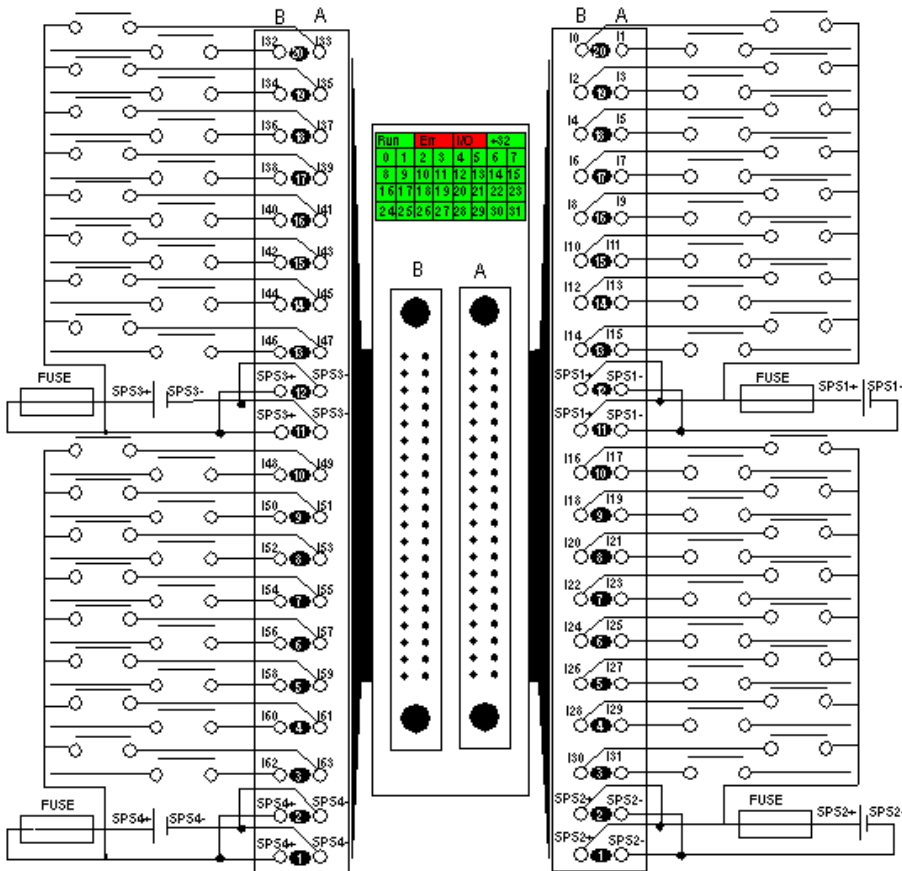
Rack references	a in mm	a in in.
BMXXBP0400 and BMXXBP0400H	242.4	09.54
BMXXBP0600 and BMXXBP0600H	307.6	12.11
BMXXBP0800 and BMXXBP0800H	372.8	14.68
BMXXBP1200 and BMXXBP1200H	503.2	19.81

Connecting the Module

Input Circuit Diagram



Module Connection



power supply
fuse fast blow fuse of 0.5 A for each 16-channel group
SPS sensor power supply