

Product availability : Stock - Normally stocked in distribution facility



Price* : 341.00 USD



Main

| | |
|---------------------------|--|
| Range of product | Modicon M340 automation platform |
| Product or component type | Discrete input module |
| Electrical connection | 20-way connector |
| Discrete input number | 16 |
| Discrete input type | Isolated |
| Input type | Capacitive |
| Discrete input voltage | 100...120 V AC |
| Discrete input current | 5 mA |
| Input compatibility | With 2-wire/3-wire proximity sensors conforming to IEC 60947-5-2 |

Complementary

| | |
|--------------------------------|--|
| Network frequency | 50/60 Hz |
| Network frequency limits | 47...63 Hz |
| Sensor power supply | 20...26 V |
| Voltage state 1 guaranteed | ≥ 74 V |
| Current state 1 guaranteed | ≥ 2.5 mA |
| Voltage state 0 guaranteed | ≤ 20 V |
| Current state 0 guaranteed | ≤ 1 mA |
| Input impedance | 13000 Ohm |
| Insulation resistance | > 10 MOhm 500 V DC |
| Power dissipation in W | ≤ 3.8 W |
| AC activation filtering time | 10 ms |
| AC deactivation filtering time | 20 ms |
| Typical current consumption | 90 mA at 3.3 V DC |
| MTBF reliability | 1504958 H |
| Protection type | 1 external fuse per group of channel 0.5 A fast blow |

| | |
|-----------------------------|--|
| Voltage detection threshold | < 40 V DC sensor fault > 82 V DC sensor OK |
| Status LED | 1 LED green module operating (RUN) 1 LED per channel green channel diagnostic 1 LED red module I/O 1 LED red module error (ERR) |
| Product weight | 0.25 lb(US) (0.115 kg) |

Environment

| | |
|---------------------------------------|---|
| IP degree of protection | IP20 |
| Standards | NF C 63-850 IEC 1131-2 CSA C22.2 No 142 UL 746C UL 508 IEC 664 |
| Dielectric strength | 1500 V AC at 50/60 Hz 1 min |
| Ambient air temperature for operation | 32...140 °F (0...60 °C) |
| Relative humidity | 10...95 % without condensation |
| Protective treatment | TC |

Ordering and shipping details

| | |
|-----------------------|----------------------|
| Category | 18160 - MODICON M340 |
| Discount Schedule | PC34 |
| GTIN | 00785901607595 |
| Nbr. of units in pkg. | 1 |
| Package weight(Lbs) | 0.35000000000000003 |
| Returnability | Y |
| Country of origin | FR |

Offer Sustainability

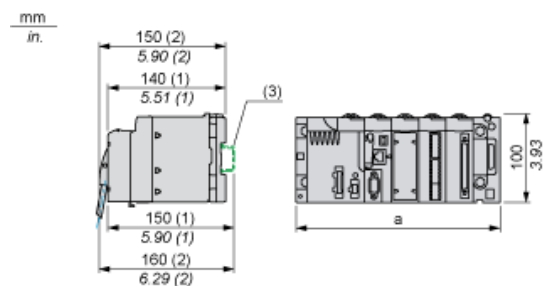
| | |
|----------------------------------|---|
| Sustainable offer status | Green Premium product |
| RoHS (date code: YYWW) | Compliant - since 0805 - Schneider Electric declaration of conformity Schneider Electric declaration of conformity |
| REACH | Reference not containing SVHC above the threshold Reference not containing SVHC above the threshold |
| Product environmental profile | Available |
| Product end of life instructions | Available |

Contractual warranty

| | |
|-----------------|-----------|
| Warranty period | 18 months |
|-----------------|-----------|

Modules Mounted on Racks

Dimensions

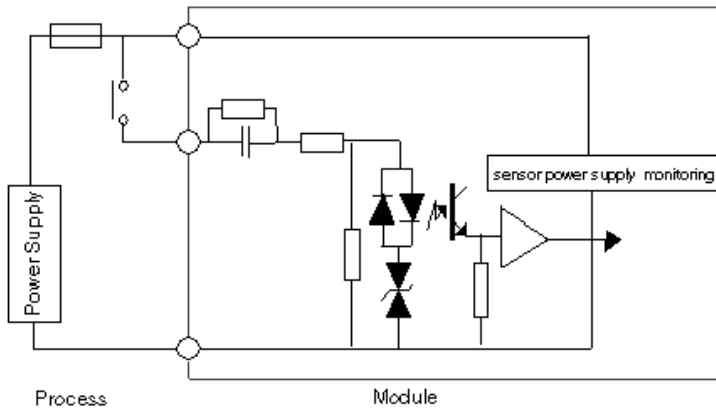


- (1) With removable terminal block (cage, screw or spring).
- (2) With FCN connector.
- (3) On AM1 ED rail: 35 mm wide, 15 mm deep. Only possible with BMXXBP0400/0400H/0600/0600H/0800/0800H rack.

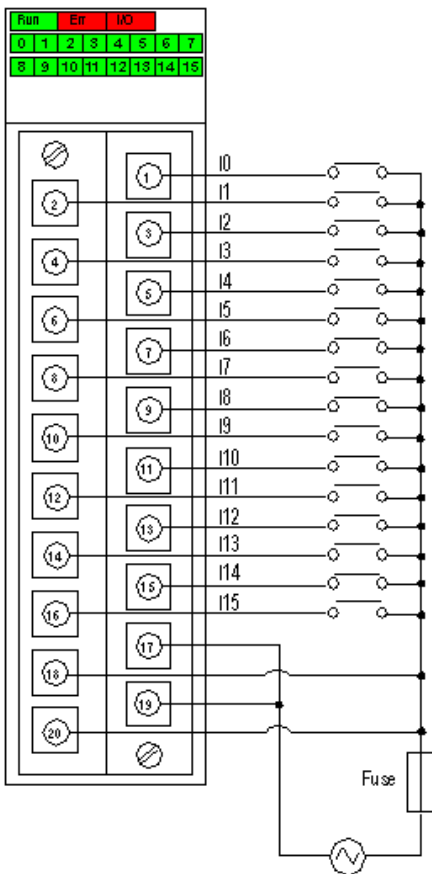
| Rack references | a in mm | a in in. |
|----------------------------|---------|----------|
| BMXXBP0400 and BMXXBP0400H | 242.4 | 09.54 |
| BMXXBP0600 and BMXXBP0600H | 307.6 | 12.11 |
| BMXXBP0800 and BMXXBP0800H | 372.8 | 14.68 |
| BMXXBP1200 and BMXXBP1200H | 503.2 | 19.81 |

Connecting the Module

Input Circuit Diagram



Module Connection



power supply 20 VAC
fuse fast blow fuse of 0.5 A