

Product availability : Stock - Normally stocked in distribution facility



Price* : 434.00 USD



Main

Range of product	Modicon M340 automation platform
Product or component type	Discrete output module
Electrical connection	20-way connector
Discrete output number	16 conforming to EN/IEC 61131-2
Discrete output type	Relay
Discrete output voltage	24 V 19...30 V DC 240 V 200...264 V AC

Complementary

[I _{th}] conventional free air thermal current	2 A
Insulation resistance	> 10 MOhm 500 V DC
Power dissipation in W	<= 3 W
Response time on output	<= 10 ms activation <= 12 ms deactivation
Typical current consumption	100 mA at 3.3 V DC
MTBF reliability	2463296 H
Protection type	AC inductive overvoltage protection DC inductive overvoltage protection External overload protection External short-circuit protection
Output overload protection	Use 1 fast blow fuse per channel or group of channel
Output overvoltage protection	Use discharge diode on each output DC Use RC circuit on each output AC Use ZNO surge limiter on each output AC
Output short-circuit protection	Use 1 fast blow fuse per channel or group of channel
Minimum switching current	1 mA 5 V DC
Electrical durability	100000 cycles AC-14 240 VA 240 V 0.7 100000 cycles AC-14 300 VA 200 V 0.7

100000 cycles AC-15 120 VA 240 V 0.35
 100000 cycles AC-15 200 VA 200 V 0.35
 100000 cycles DC-13 10 W 100 V
 100000 cycles DC-13 24 W 24 V
 300000 cycles AC-14 72 VA 240 V 0.7
 300000 cycles AC-14 80 VA 200 V 0.7
 300000 cycles AC-15 36 VA 240 V 0.35
 300000 cycles AC-15 60 VA 200 V 0.35
 300000 cycles DC-13 3 W 100 V
 300000 cycles DC-13 7.2 W 24 V

Status LED	1 LED per channel green channel diagnostic 1 LED red ERR 1 LED red I/O 1 LED green RUN
Product weight	0.33 lb(US) (0.15 kg)

Environment

IP degree of protection	IP20
Standards	CSA C22.2 No 142 UL 508 UL 746C IEC 1131-2 IEC 664 NF C 63-850
Dielectric strength	2000 V AC at 50/60 Hz 1 min
Ambient air temperature for operation	32...140 °F (0...60 °C)
Relative humidity	10...95 % without condensation
Protective treatment	TC

Ordering and shipping details

Category	18160 - MODICON M340
Discount Schedule	PC34
GTIN	00785901501695
Nbr. of units in pkg.	1
Package weight(Lbs)	0.40000000000000002
Returnability	Y
Country of origin	FR

Offer Sustainability

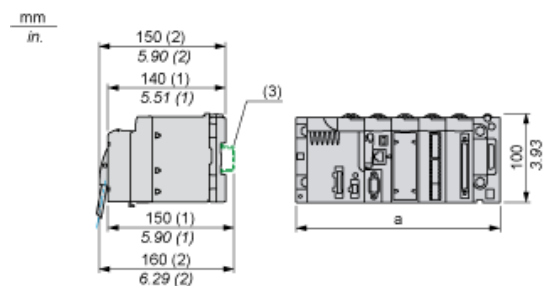
Sustainable offer status	Green Premium product
RoHS (date code: YYWW)	Compliant - since 0722 - Schneider Electric declaration of conformity Schneider Electric declaration of conformity
REACH	Reference not containing SVHC above the threshold Reference not containing SVHC above the threshold
Product environmental profile	Available
Product end of life instructions	Available

Contractual warranty

Warranty period	18 months
-----------------	-----------

Modules Mounted on Racks

Dimensions

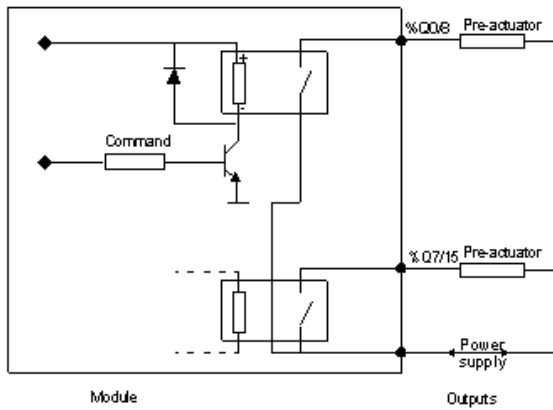


- (1) With removable terminal block (cage, screw or spring).
- (2) With FCN connector.
- (3) On AM1 ED rail: 35 mm wide, 15 mm deep. Only possible with BMXXBP0400/0400H/0600/0600H/0800/0800H rack.

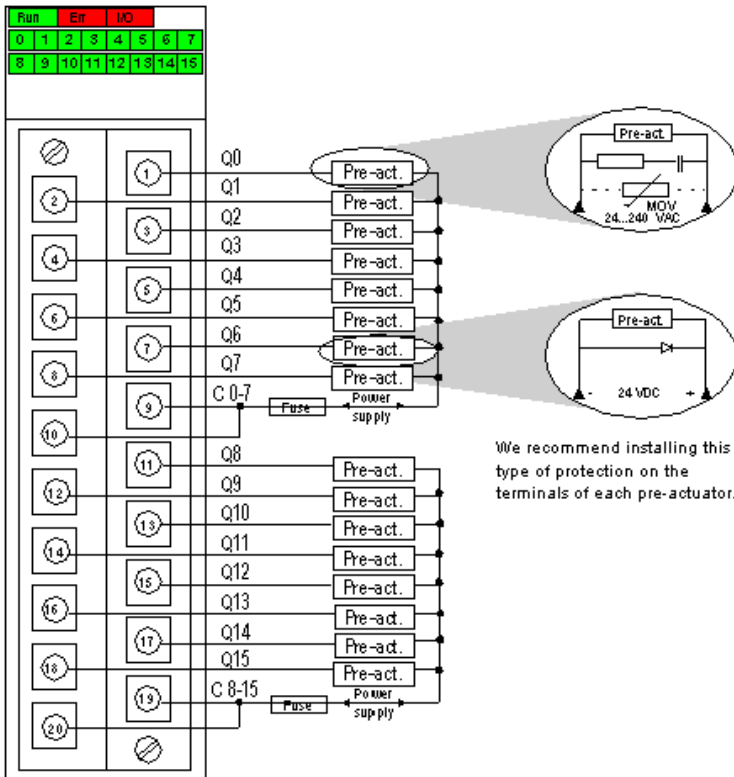
Rack references	a in mm	a in in.
BMXXBP0400 and BMXXBP0400H	242.4	09.54
BMXXBP0600 and BMXXBP0600H	307.6	12.11
BMXXBP0800 and BMXXBP0800H	372.8	14.68
BMXXBP1200 and BMXXBP1200H	503.2	19.81

Connecting the Module

Output Circuit Diagram



Module Connection



We recommend installing this type of protection on the terminals of each pre-actuator.

power 24 VDC or 24...240 VAC
fuse 1 fast blow fuse of 12 A for each 8-channel group